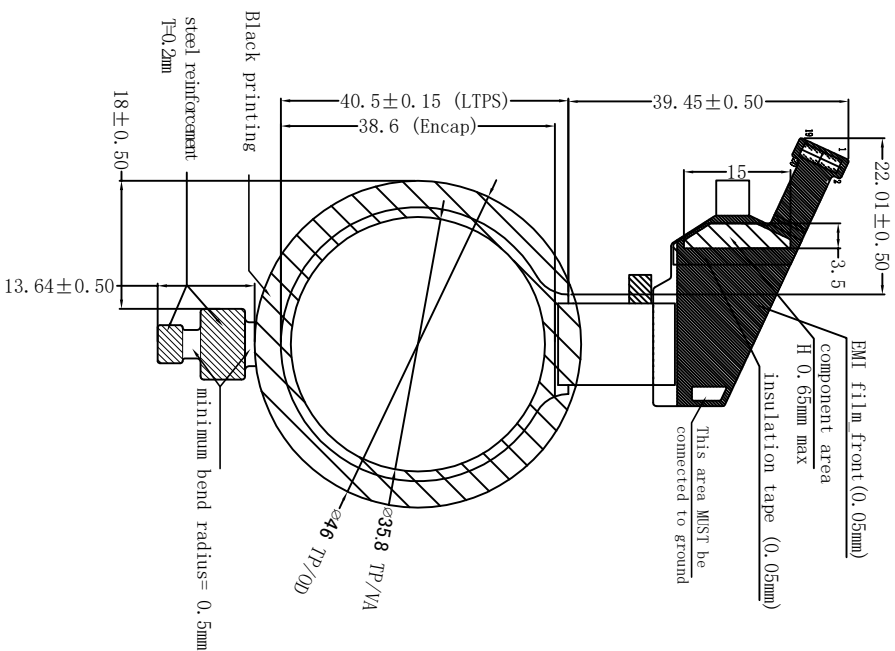
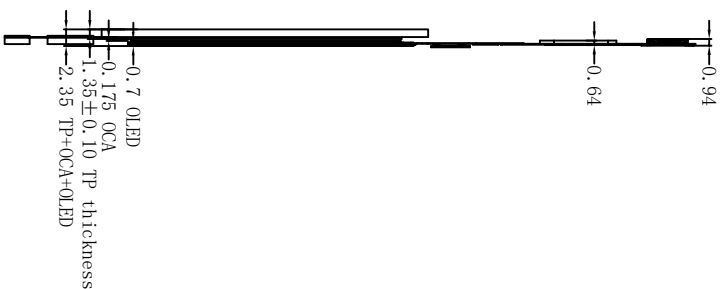


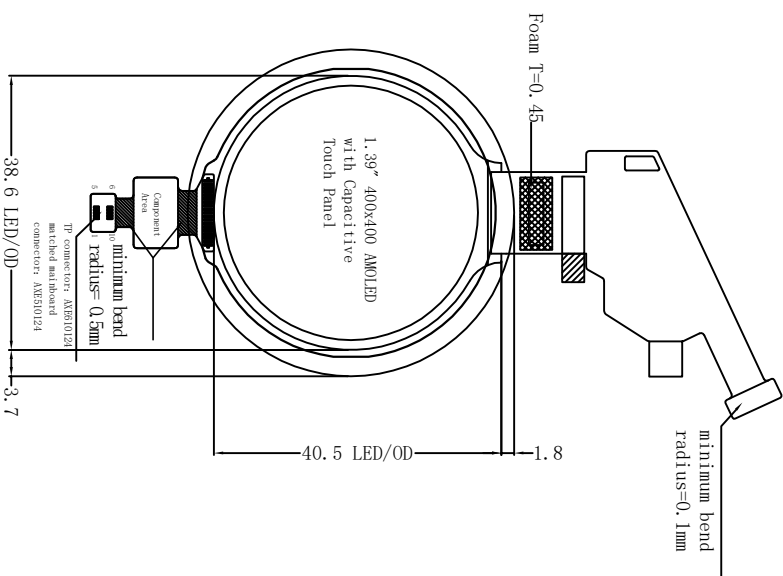
Front viewing



Side viewing



Back viewing



Pin	Define
1	ELVSS1
2	ELVDD1
3	ELVSS2
4	ELVDD2
5	ELVSS3
6	ELVDD3
7	VCI
8	GND2
9	VDDIO
10	DSI DON
11	GND1
12	DSI DOP
13	TE
14	GND3
15	VPP
16	DSI CLW
17	REST
18	DSI CLW*
19	SWIRE
20	GND4

Please reference the I77257BXXQN Data Sheet

Pin	Define
1	VDD_1.8
2	VDD
3	GND
4	NC
5	NC
6	XRES
7	SDA
8	NC
9	SCL
10	INT

由 Autodesk 教育版产品制作

Specifications

1. TP driver IC: IT7257BXXQN
2. AMOLED Driver IC: RM67160
3. Voltage supply: 2.8V
4. Interface voltage supply: 1.8V
5. transmittance: $\geq 82\%$
6. Surface harness: 6H
7. work temperature: $-10^{\circ}\text{C} \sim +50^{\circ}\text{C}$, $\leq 90\% \text{RH}$
8. Storage temperature: $-20^{\circ}\text{C} \sim +60^{\circ}\text{C}$, $\leq 90\% \text{RH}$
9. Vital size mark: ** Tolerance: $\pm 0.2 \text{mm}$

A-TOPS ELECTRONICS CO., LTD

Module NO. AT1392MIBCP		DATE	SHEET 1 of 1		UNIT mm	SCALE 1 : 1	INCH	3rd ANGLE
Version 1.0	DATE							