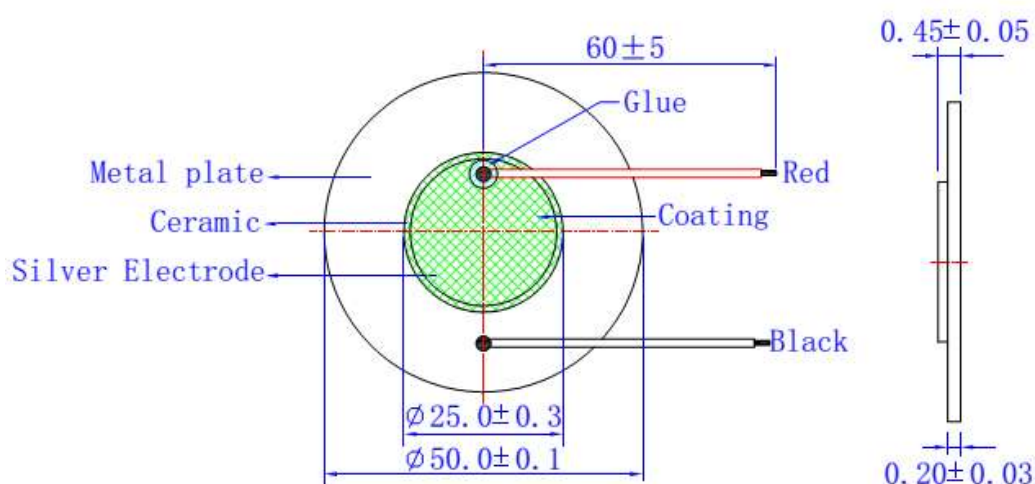


产 品 规 格 书

Production Specification

| | | |
|-------|-----------------------------|-----------------------|
| 型 号 | Part Number | KD-50B-30EW60G |
| 谐振频率 | Resonant Frequency | 3.0±0.5kHz |
| 谐振阻抗 | Resonant Impedance | 200 Ω max. |
| 静态电容 | Static Capacitance | 40.0nF ± 30% at 100Hz |
| 额定电压 | Allowable input Voltage | 30Vp-p max. |
| 工作温度 | Operating Temperature Range | -20~+60℃ |
| 贮存温度 | Storage Temperature Range | -30~+80℃ |
| 基片直径 | Plate Diameter | D=50.0±0.1 mm |
| 瓷片直径 | Ceramic Disc Diameter | d=25.0±0.3 mm |
| 基片厚度 | Metal Plate Thickness | t=0.20±0.03 mm |
| 总 厚 度 | Total Thickness | T=0.45±0.05 mm |
| 基片材料 | Plate Material | Brass |
| 引线规格 | Lead wire Specification | UL1571 AWG30# |

Dimension:



地址：广州经济技术开发区永和经济区井泉一路

Jingquan Yi Road ,Yonghe Economic Zone ,of GETDD,Guangzhou,China

TEL:(020) 82980807/82980815/82970806

FAX: (020)8297 6231

P.C: 511356

http://www.kailitech.com

E-mail: sales@kailitech.com