

AIS58 series

**Main Features :**

- Industrial encoders, Optical incremental encoder
- Design of double row bearings,
- Non - fragile code wheel

Extensive Application:

- ✓ speed sensor, Angle, distance and trajectory, tilt
- ✓ Dual-axis or multi-axis linkage measurement feedback
- ✓ Water conservancy, packaging, paper printing, textile machinery
- ✓ port lifting, transportation and factory automation
- ✓ Use in non-explosion proof environment

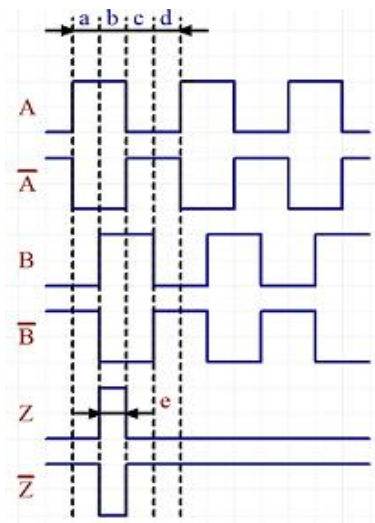
**Mechanical specifications****Qualification**

Material	Shell: Aluminum shell	EMC:
	Flange: Aluminum flange	Emitted interference: EN61000-6-4
	Shaft: Stainless steel	Noise immunity: EN61000-6-2
Maximum shaft load	Max 50N Axial	ISO9001:2015
	Max 80N Radial	CE authentication
Levels of protection	IP65	
Starting torque	25°C, ≤0.5Nm	
Maximum speed	≤ 6000RPM	
Impact resistance	≤ 100g ,6ms	
Anti-vibration	≤ 10g (10Hz—2000Hz)	
Weight	≈ 310g	
Working temperature	-20°C...+80°C	
Storage temperature	-30°C...+85°C	
Humidity	98%	

Electrical specifications

Output form	Push-pull (HTL compatible)	RS422 (TTL compatible)	NPN collector open
Pulse	Max 5000ppr	Max 5000ppr	Max 5000ppr
Supply voltage	DC10-30V	DC5V ; DC10-30V	DC10-30V
Reverse polarity protection	Yes	Yes	Yes
No-load current	≤80mA	≤80mA	≤80mA
Load current	≤60mA	≤60mA	≤60mA
Response frequency	≤120KHz	≤120KHz	≤120KHz
Rise time (Tr)	≤200nS	≤200nS	/
Falling time(Tf)	≤200nS	≤200nS	/
Signal Top Value	≥Vcc x 70%	≥2.5VDC	/
Signal low level	≤0.5VDC	≤0.5VDC	/

Signal output



In the direction of the shaft end, the waveform of the output can be rotated clockwise.

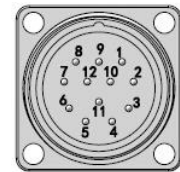
$$a, b, c, d = T/4 \pm 10\%$$

$$e = T/4 \pm 10\%$$

Electrical connection

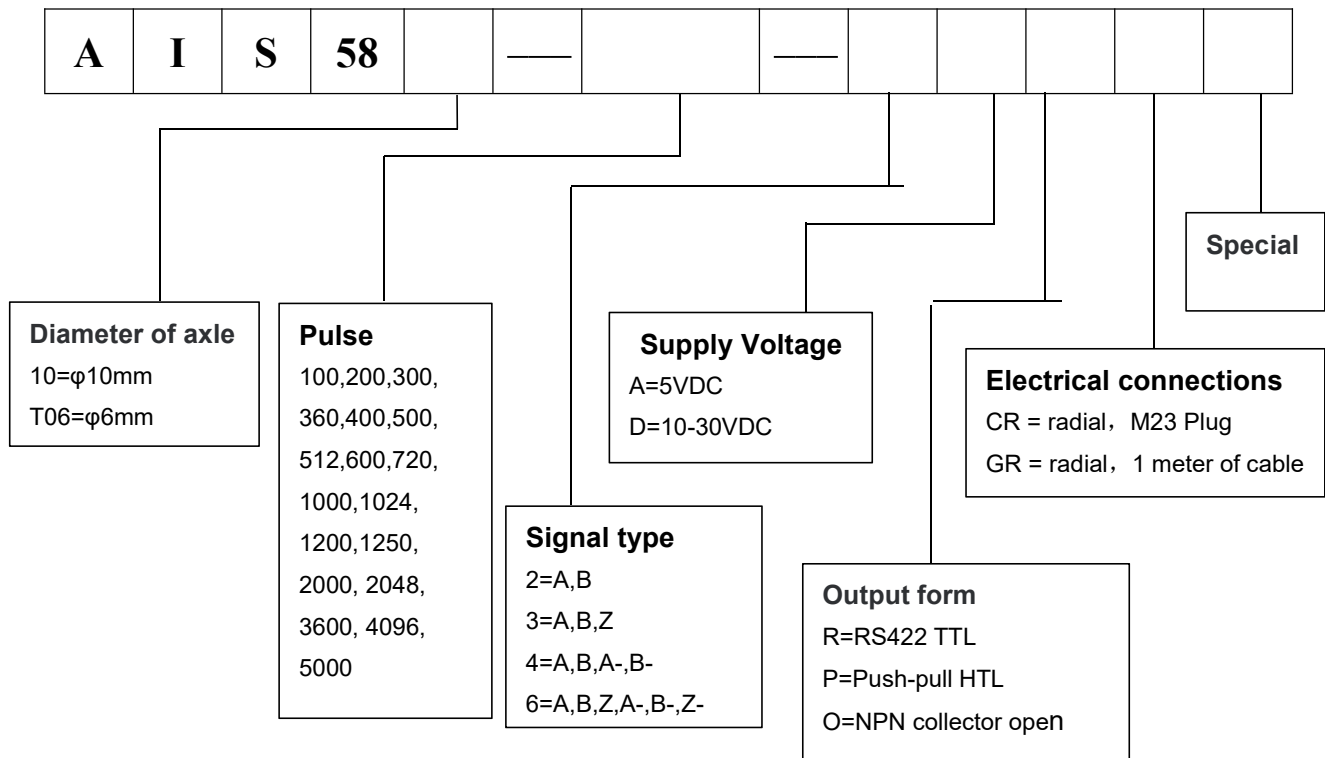
Signal	Cable	Plug
Vcc	BN	2
OV	WH	1
A	GN	3
B	YE	4
Z	GY	5
A-	PK	6
B-	BU	7
Z-	RD	8
G*	Shield	9

* Shield Internal default hover



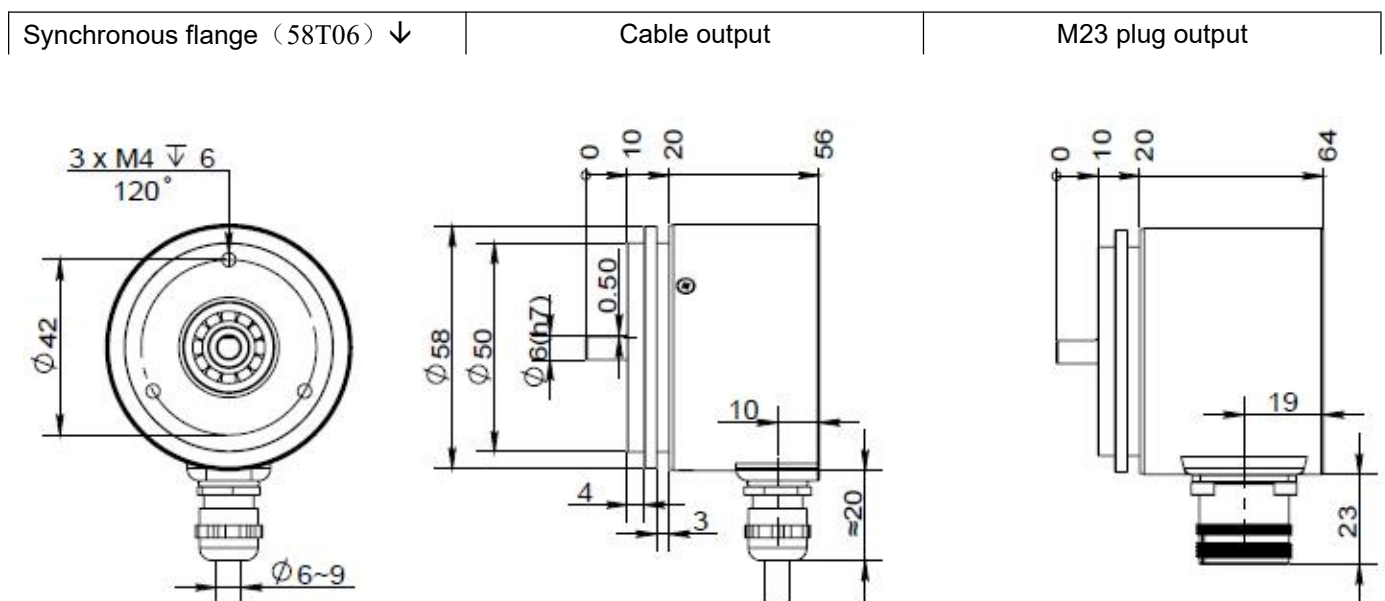
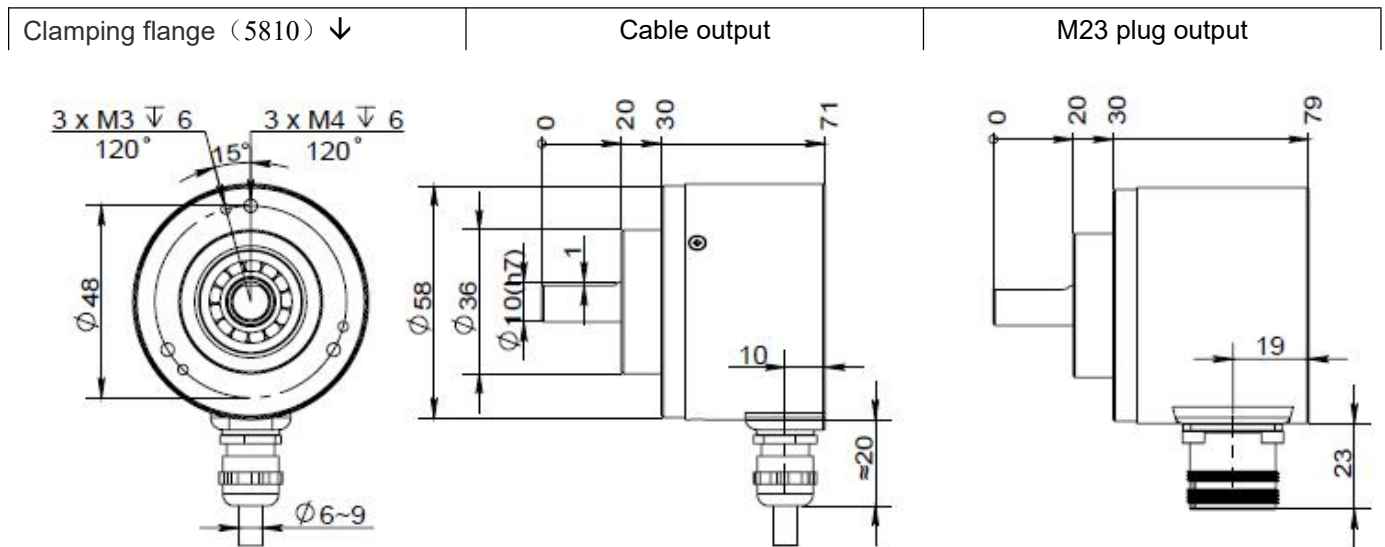
M23 Plug (12pin)

Selection instructions



Mechanical dimension

Unit: mm



Accessories (Please refer to the attached information for more information)			
Mounting bracket	Stainless steel couplings	Spring steel couplings	M23 plug
Model AZJ80	AL4A-B	AL3B	C12C
Apply to 58A	58A&58T	58A&58T	M23 plug