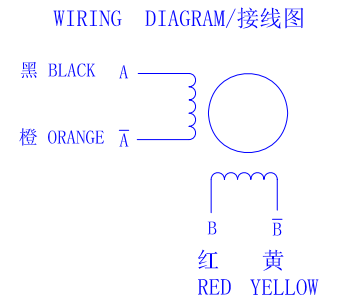
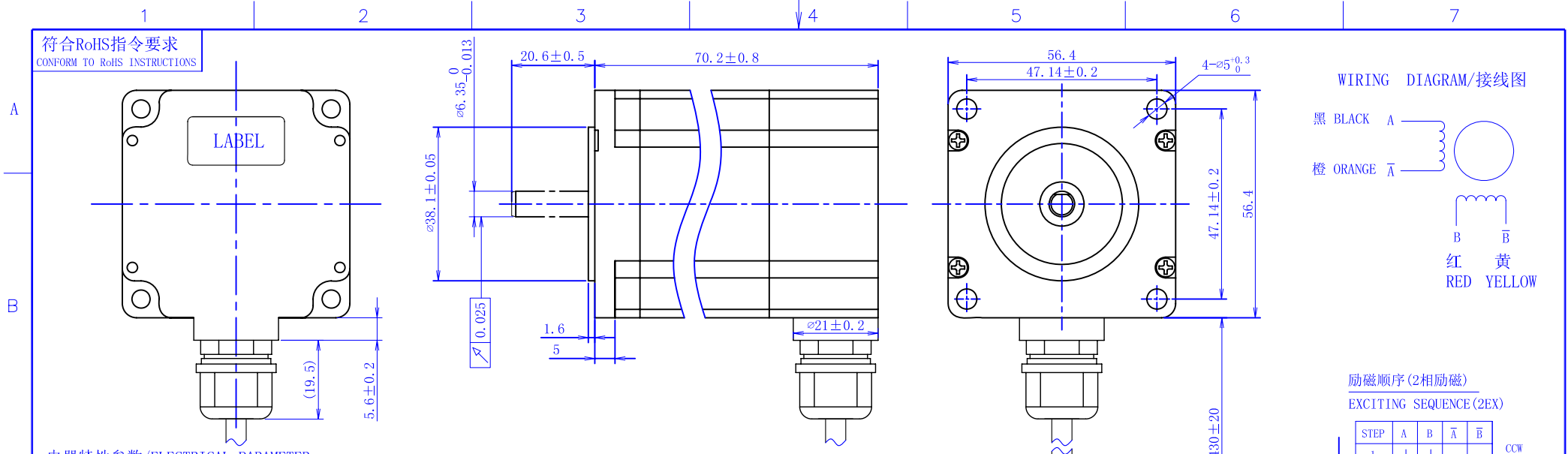


符合RoHS指令要求  
CONFORM TO ROHS INSTRUCTIONS



励磁顺序(2相励磁)  
EXCITING SEQUENCE (2EX)

STEP	A	B	Ā	B̄
1	+	+	-	-
2	-	+	+	-
3	-	-	+	+
4	+	-	-	+

CW ↑  
CCW ↓

电器特性参数/ELECTRICAL PARAMETER

步进角 STEP ANGEL	1.8° ±5%
相数 PHASES	2
额定电压 RATED VOLTAGE	1.37 V
额定电流 RATED CURRENT	4.2 A
电阻 RESISTANCE	0.35 ohm±15% at 25° C
电感 INDUCTANCE	1.2 mH±20% at 1k Hz, 1Vrms
保持力矩 HOLDING TORQUE	1.15 N.m(162oz. in) MIN. NOTE 1)
运行力矩 (—PPS) RUNING TORQUR(AT --PPS)	--- MIN. (24V. DC, RATED CURRENT, FULL STEP)
绝缘耐压 DIELECTRIC STRENGTH	500V A. C 1分钟/MINUTE
绝缘电阻 INSULATION RESISTANCE	100 MΩ 以上/MIN.
绝缘等级 INSULATION CLASS	Class B
温度上升 TEMPERATURE RISE	80K MAX. NOTE 2)
转子惯量 ROTOR INERTIA	280g. cm <sup>2</sup> (1.53oz. in <sup>2</sup> )
重量 WEIGHT	APPRO. 600g (21.2 oz )
允许轴向负载 ALLOWABLE THRUST LOAD	15N
允许径向负载 ALLOWABLE RADIAL LOAD	75N(on the shaft end)
运行环境温度 OPERATE AMBIENT TEMP.	-20° C----+50° C
运行环境湿度 OPERATION AMBIENT HUM.	15%----95%
寿命 LIFE	5000 HOURS NOTE 3)

NOTE 备注):

1. 额定电流, 两相同时通电/AT RATED CURRENT, TWO PHASE ON.
2. 热阻法: 电机安装在169\*169\*T5的铝板上, 电机线圈两端通额定电压, OPSS/MEASURED BY RESISTANCE METHOD. MOUNT WITH ALUMINUM HEAT SINK 169\*169\*T5 AT TWO WINDING BE EXCITED BY RATED VOLTAGE, OPSS, 2PHASE ON.
3. 寿命测试条件: 整步, 运行速度为最大自启动频率, 轴承的表面温度不超过70° C  
LIFE TEST CONDITION: 2PHASE EXCITING, FULL STEP, AT MAX. STARTING PULSE, BEARING TEMPERATURE SHOULD BE 70° C MAX.

CONFIRMED&ACCEPTED BY CUTOMER (客户确认&接受)						型号/MODEL	
COMPANY CHOP&SIGNATURE (盖章&签名)						STCFS-57D42-0470	
A		初版					
一般公差 TOLERANCE	±0.3/±3°	版本 REV.	年月日 DATE	变更番号 ECO NO.	变更内容 REVISIONS	设计 BY	备注 NOTE
制图/DRAWN		比例 SCALE	1:1	品名 TITLE	步进电机规格书 STEPPING MOTOR SPECIFICATION		三视图 THIRD ANGLE PROJECTION
设计/DESIGNED		单位 UNIT	mm				
审核/CHECKED				深圳市维科特机电有限公司		页 SHEET	1/1
承认/APPROVED							