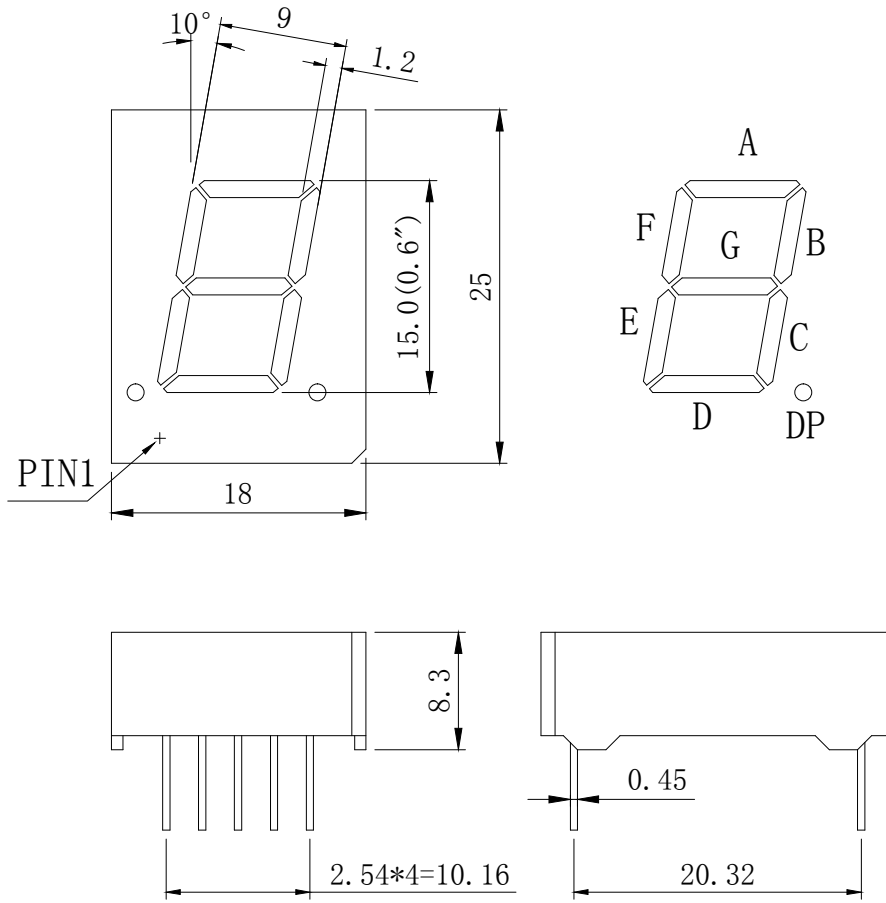


## PACKAGE DIMENSION

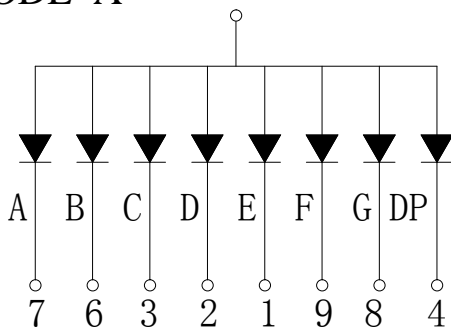
N10601



## INTERNAL CIRCUIT DIAGRAM

CODE A

5, 10



CODE C

5, 10

