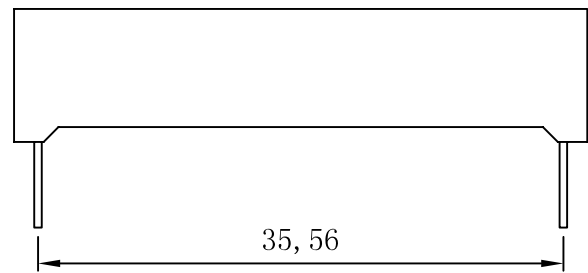
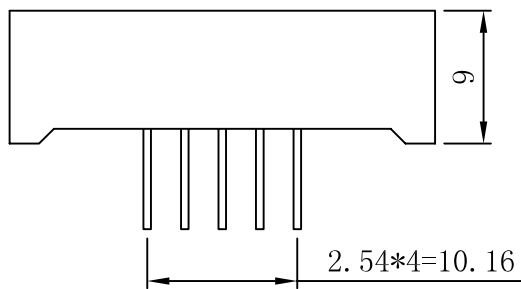
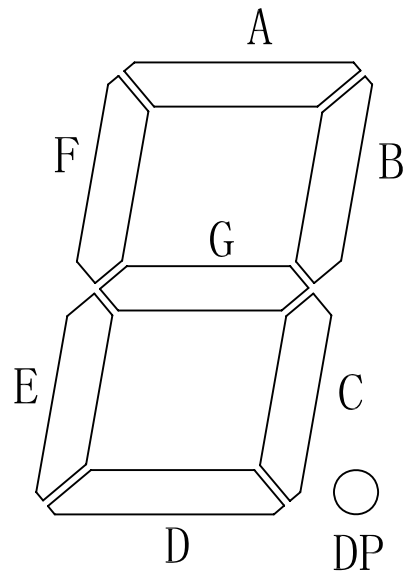
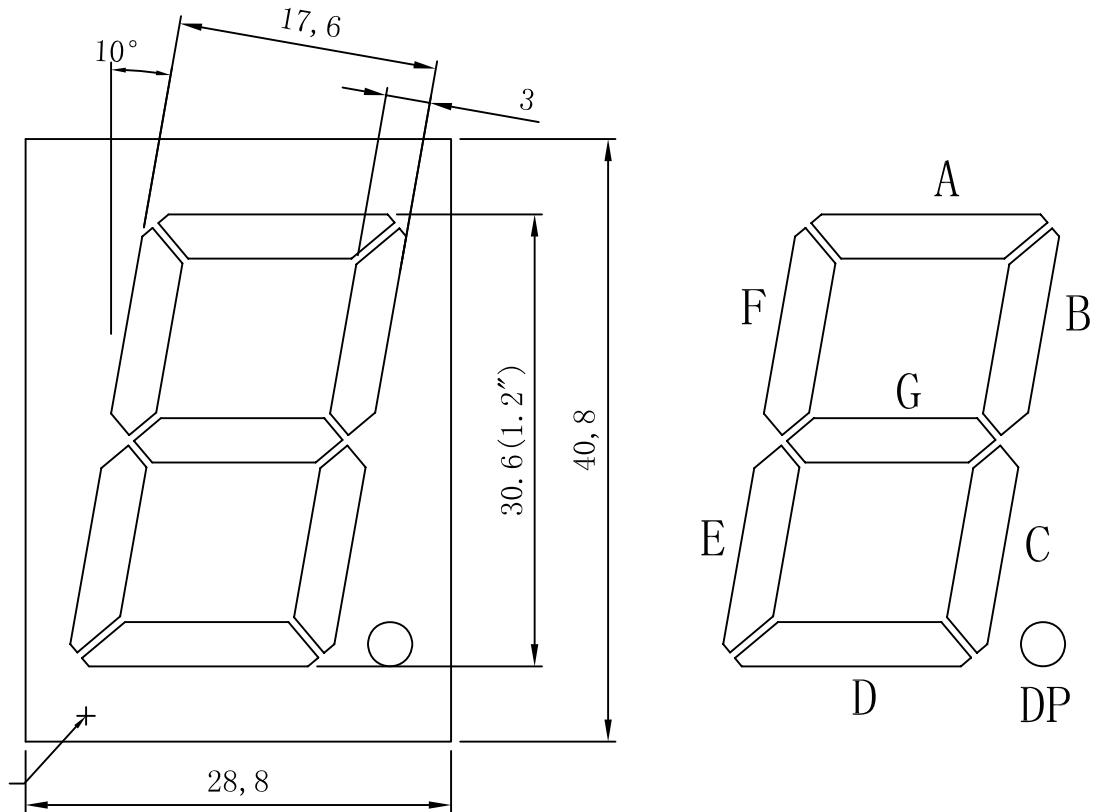




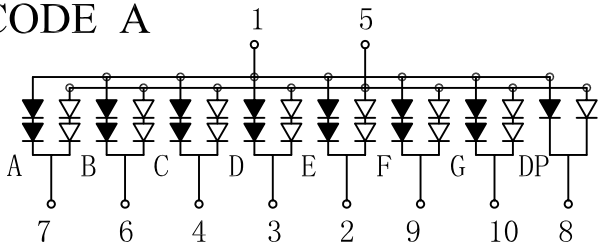
科宏光电(深圳)有限公司
KEHONG OPTO ELECTRONICS (SHENZHEN) CO., LTD.

PACKAGE DIMENSION

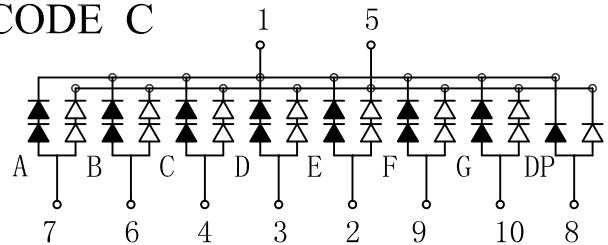
KHN11202



CODE A



CODE C



▶ GREEN ◀ RED