


**Constant Current Dimmable Driver**  
**恒流调光电源**
**Model/型号: KEDH042S1050BR75A1-4**


Model 型号	Output Current 输出电流	Input Current 输入电流	Input Power 输入功率	Output Power Range 输出功率范围	PF 功率因素	Efficiency 效率	Output Voltage 输出电压	No load Voltage 空载电压
KEDH042S1050BR75A1-4	300mA	0.07A	15.4W	6.00-12.60W	0.7	82%	20-42V	55V
	350mA	0.08A	17.9W	7.00-14.70W	0.75	82%	20-42V	55V
	400mA	0.09A	20.5W	8.00-16.80W	0.85	82%	20-42V	55V
	450mA	0.10A	22.8W	9.00-18.90W	0.88	83%	20-42V	55V
	500mA	0.11A	25.3W	10.00-21.00W	0.89	83%	20-42V	55V
	550mA	0.12A	27.8W	11.00-23.10W	0.9	83%	20-42V	55V
	600mA	0.14A	30.4W	12.00-25.20W	0.92	83%	20-42V	55V
	650mA	0.15A	32.5W	13.0-27.30W	0.92	84%	20-42V	55V
	700mA	0.16A	35W	14.00-29.40W	0.92	84%	20-42V	55V
	750mA	0.17A	37.5W	15.00-31.50W	0.92	84%	20-42V	55V
	800mA	0.18A	40W	16.00-33.60W	0.92	84%	20-42V	55V
	850mA	0.18A	40W	17.0-34.00W	0.92	85%	20-40V	55V
	900mA	0.2A	42.4W	18.00-36.00W	0.92	85%	20-40V	55V
	950mA	0.2A	44.7W	19.00-38.00W	0.92	85%	20-40V	55V
	1000mA	0.23A	46.5W	20.00-40.00W	0.92	86%	20-40V	55V
1050mA	0.25A	48.8W	21.00-42.00W	0.92	86%	20-40V	55V	

\* Test result @230V, 50Hz, Full Load. 所有测试参数基于@230V, 50Hz, 满载

**1.Parameters 参数表**

Category 类别	Item 项目	Technical Norm 技术指标
Features 特性	Output Type 输出类型	Constant Current/恒流
	Dimming Type 调光类型	Bluetooth
	Dimming range 调光范围	1%-100%
	Output Features 输出特性	Isolation
	IP Grade IP 等级	IP20
	Insulation Class 绝缘等级	Class II
Input 输入参数	Rated Input Voltage 额定输入电压	220-240VAC
	Range of Input Voltage 输入电压范围	176-264VAC
	Frequency 输入频率	50/60Hz





	Input Current 输入电流	≤0.28A (230VAC,full load)
	Input Power 输入功率	≤48.8W (230VAC,full load)
	Power Factor 功率因素	≥0.92 (230VAC,full load)
	No-load Power Consumption 空载功耗	≤0.5W @230VAC
	THD 谐波	≤20% (230VAC, full load)
	Inrush Current 涌入电流	≤18A/2.8us (230VAC, full load)
	Connected quantity of 16A Breaker 断路器电源连接数量	27pcs/type B ; 44pcs / type C @ 230Vac
Output 输出参数	Output Voltage Range 输出电压范围	20-42VDC@300-800mA 20-40VDC@850-1050mA
	No Load Voltage 无负载电压	55VDC Max
	Output Current 输出电流	300mA -1050mA (Max. output)
	Max. Output Power 最大输出功率	42W
	Efficiency 效率	≥86% (230VAC, full load)
	Current Ripple 纹波电流	±5% (Imax-Imin)/(Imax+Imin)
	Current Accuracy 电流精度	±5%
	Started Delay Time 启动延时	≤0.5S (230VAC, full load)
Protection 保护特性	Short Circuit Protection 短路保护	Auto Recovery/自动恢复
	Overload Protection 过载保护	Auto Recovery/自动恢复
	No-load Protection 空载保护	Auto Recovery /自动恢复
	Insulation voltage 绝缘电压	3000V 5mA 60S between P-S
	Insulation resistance 绝缘电阻	>100M ohm @ 500VDC
	Leakage current 漏电流	< 250μA, I/P to O/P or I/P to PE @230V input
Environment 使用环境	Ta/Operation Temperature 工作温度	-25....+35℃
	Ts/Storage Temperature 储存温度	-40....+85℃
	Tc/Enclosure Temperature 外壳温度	85℃
	Humidity 湿度	10%....90%RH
	Atmosphere 大气压强	86-108KPa
Construction 安装	Connection Method 连接方式	Push-in Terminal 推入式端子
	Installation 安装方式	Independent 独立式
	PRI Wire preparation 输入线径	0.75-1.5 <sup>□</sup>
	SEC Wire preparation 输出线径	0.5-1.5 <sup>□</sup>
	Dimension 尺寸	250 x 31 x 45mm (L*W*H)
Standards 标准	Certification 证书	CE
	Safety Standards 安全标准	EN61347-1:2015,EN61347-2-13:2014/A1:2017, EN62493:2015 AS 61347.2.13:2018, AS/NZS 61347.1:2016 Inc A1
	EMC Standards 电磁兼容标准	EN55015:2013/A1:2015,EN61000-3-2:2014, EN61000-3-3:2013,EN61547:2009



	Performance 性能标准	EN62384
	Surge 浪涌	L-N/2KV
Others 其它	RoHS 环保	Complied to 2011/65/EU
	Life Time 寿命	50000h @Ta/ Tc
	Warranty 质保	5years , F.R. < 10000ppm (质保期过的失效率)


**Remark/备注**

- 所有参数无特别说明，均在输入电压 230VAC/50Hz 和 25℃ 的环境温度下测得。All Parameters, if not specified, are measured at 230VAC/50Hz and 25℃ ambient temperature.
- LED 电源作为整灯中的一个零部件与终端设备结合使用，因 EMC 性能受 LED 灯具以及走线的影响，终端设备制造商需对整套装置重新进行 EMC 确认。LED Driver is a component of the luminaires, Luminaires and wire layout will affect the EMC, please check the EMC with end products again.

**2.Output Current Setting 输出电流设定**


Output Current	1	2	3	4
300mA	-	-	-	-
350mA	-	-	-	ON
400mA	-	-	ON	-
450mA	-	-	ON	ON
500mA	-	ON	-	-
550mA	-	ON	-	ON
600mA	-	ON	ON	-
650mA	-	ON	ON	ON
700mA	ON	-	-	-
750mA	ON	-	-	ON
800mA	ON	-	ON	-
850mA	ON	-	ON	ON
900mA	ON	ON	-	-
950mA	ON	ON	-	ON
1000mA	ON	ON	ON	-
1050mA	ON	ON	ON	ON

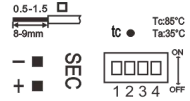
**3.Label 标签**



PRI:220-240VAC 50/60Hz Max.0.24A  
 SEC:300-800mA 20-42VDC  
 850-1050mA 20-40VDC  
 No Load:55VDC Max.42W Load: Max.25N  
 For LED modules only  
 Constant Current Lighting track adaptors

**CASAMBI**  
 LED Dimmable Driver  
 KEDH042S1050BR75A1-4





0.5-1.5  
 8-9mm  
 tc  
 Tc:85°C  
 Ta:35°C  
 ON/OFF

Pout [W]	Iout [mA]	In [A]	λ	1	2	3	4	Pout [W]	Iout [mA]	In [A]	λ	1	2	3	4
12.6	300	0.09	0.70	-	-	-	-	29.4	700	0.18	0.92	ON	-	-	-
14.7	350	0.10	0.75	-	-	-	ON	31.5	750	0.19	0.92	ON	-	-	ON
16.8	400	0.12	0.80	-	-	ON	-	33.6	800	0.21	0.92	ON	-	ON	-
18.9	450	0.13	0.85	-	-	ON	ON	34	850	0.22	0.92	ON	-	ON	ON
21	500	0.14	0.88	-	ON	-	-	36	900	0.23	0.95	ON	ON	-	-
23.1	550	0.15	0.90	-	ON	-	ON	38	950	0.24	0.95	ON	ON	-	ON
25.2	600	0.16	0.92	-	ON	ON	-	40	1000	0.24	0.95	ON	ON	ON	-
27.3	650	0.17	0.92	-	ON	ON	ON	42	1050	0.24	0.95	ON	ON	ON	ON



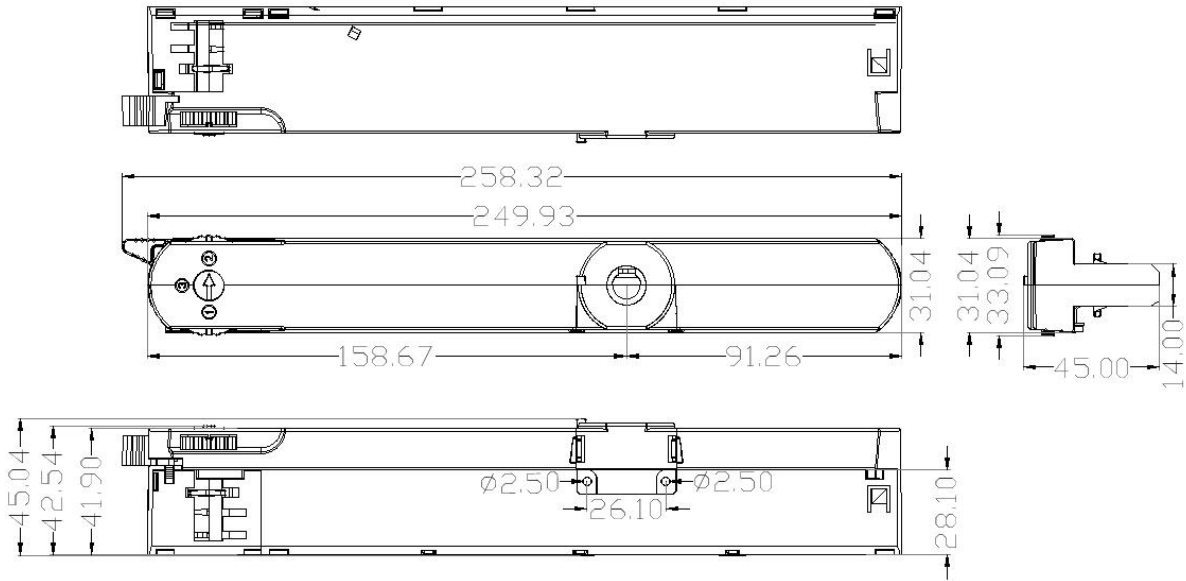


科谷电源

Power the world · power the future

驱动世界 · 驱动未来

#### 4.Dimension 尺寸 (Unit: mm)



#### 5.Packing information 包装信息

Carton L*W*H(mm) 纸箱尺寸	Pcs/Carton 数量/箱	Net weight/ Pcs(kg)净重/个	Net weight/ Carton(kg)净重/箱	Gross weight / Carton(kg)毛重/箱
515*274*370	90	0.15	13.5	16.1

#### 6.Wiring Diagram 接线图

