

**Constant Current Driver 恒流电源**
**Model 型号: KEDHXXXSYYYNR01A7**


Model 型号	Output Current 输出电流	Input Current 输入电流	Input Power 输入功率	Output Power Range 输出功率范围	PF 功率因素	Efficiency 效率	Output Voltage 输出电压	No load Voltage 空载电压
KEDH003S0150NR01A7	150mA	0.09A	6.2W	2.25-3.9W	0.5	63%	15-26V	37V
KEDH003S0200NR01A7	200mA	0.09A	6.1W	2.2-3.8W	0.5	62%	11-19V	35V
KEDH003S0250NR01A7	250mA	0.09A	5W	1.5-3W	0.5	60%	6-12V	28V
KEDH003S0300NR01A7	300mA	0.09A	6W	1.8-3.6W	0.5	60%	6-12V	28V
KEDH003S0350NR01A7	350mA	0.09A	6.4W	2.1-3.85W	0.5	60%	6-11V	28V
KEDH003S0500NR01A7	500mA	0.09A	5W	1.5-3W	0.5	60%	3-6V	17V
KEDH003S0550NR01A7	550mA	0.09A	3.9W	1.1-2.2W	0.5	56%	2-4V	11V
KEDH003S0600NR01A7	600mA	0.09A	4.3W	1.2-2.4W	0.5	56%	2-4V	11V
KEDH003S0700NR01A7	700mA	0.09A	5W	1.4-2.8W	0.5	56%	2-4V	11V
KEDH006S0150NR01A7	150mA	0.12A	8.5W	3.75-6W	0.5	70%	25-40V	58V
KEDH006S0180NR01A7	180mA	0.12A	10.5W	4.5-7.38W	0.5	70%	25-41V	58V
KEDH006S0200NR01A7	200mA	0.12A	10.2W	4-7.2W	0.5	70%	20-36V	55V
KEDH006S0250NR01A7	250mA	0.12A	8.6W	4-6W	0.5	70%	16-24V	38V
KEDH006S0300NR01A7	300mA	0.12A	9W	3.6-6.3W	0.5	70%	12-21V	35V
KEDH006S0350NR01A7	350mA	0.12A	10.5W	4.2-7.35W	0.5	70%	12-21V	35V
KEDH006S0500NR01A7	500mA	0.12A	9.28W	3-6.5W	0.5	70%	6-13V	28V
KEDH006S0550NR01A7	550mA	0.12A	10.2W	3.3-7.15W	0.5	70%	6-13V	28V
KEDH006S0600NR01A7	600mA	0.12A	7.7W	18.7-5.4W	0.5	70%	5-9V	17V
KEDH006S0700NR01A7	700mA	0.12A	9W	3.5-6.3W	0.5	70%	5-9V	17V

\* Test result @230V, 50Hz, Full Load. 所有测试参数基于@230V, 50Hz, 满载

### 1. Parameters 参数表

category 类别	Item 项目	Technical Norm 技术指标
Features 特性	Output Type 输出类型	Constant Current 恒流
	IP Grade 等级	IP44
	Insulation Class 绝缘等级	Class II
Input 输入参数	Rated Input Voltage 额定输入电压	220-240VAC
	Range of Input Voltage 输入电压范围	198-264VAC
	Frequency 输入频率	50/60Hz
	Input Current 输入电流	≤0.12A (198VAC, full load)





科谷电源

Power the world · power the future

驱动世界 · 驱动未来

	Input Power 输入功率	≤10.5 W (230VAC, full load)
	Power Factor 功率因素	≥0.5 (230VAC, full load)
	THD 谐波	N/A
	No-load Power Consumption 空载功耗	≤0.5W @230VAC
	Inrush Current 涌入电流	≤15A/200us (3-6W, 230VAC, Full-load)
	Connected quantity of 16A Breaker 断路器电源连接数量	3-6W 32pcs/type B ;53pcs/type C @ 230Vac
Output 输出参数	Current Accuracy 电流精度	±5%
	Max. Output Power 最大输出功率	7.38W
	Started Delay Time 启动延时	≤0.5S (230VAC, full load)
	Current Ripple 纹波电流	±7% (Imax-Imin) / (Imax+Imin)
Protection 保护特性	Short Circuit Protection 短路保护	Auto Recovery
	Overload Protection 过载保护	Auto Recovery
	No-load Protection 空载保护	Auto Recovery
	Insulation voltage 绝缘电压	I/P to O/P, 3KVac/1min
	Insulation resistance 绝缘电阻	>100M ohm @ 500VDC
	Leakage current 漏电流	I/P to O/P < 250 μ A
Environment 使用环境	Ta/Operation Temperature 工作温度	-20....+50℃
	Ts/Storage Temperature 储存温度	-20....+85℃
	Tc/Enclosure Temperature 外壳温度	85 ℃
	Humidity 湿度	10%....90%RH
	Atmosphere 大气压强	86-108KPa
Construction 安装	Connection Method 连接方式	Direct Lead/直接引线
	Installation 安装方式	Build-in 内置式
	PRI Wire preparation 输入线径	0.5-0.75 <sup>□</sup>
	SEC Wire preparation 输出线径	0.3-0.75 <sup>□</sup>
	Dimension 尺寸	55X27X21mm (L*W*H)
Standards 标准	Certification 证书	TUV/CE/SAA/CCC
	Safety Standards 安全标准	EN61347-1:2015,EN61347-2-13:2014/A1:2017,E N62493:2015,AS/NZSIEC61347.2.13:2013,AS/N ZS 61347.1:2016,GB19510.1-2009, GB19510.14-2009
	EMC Standards 电磁兼容标准	EN55015:2013/A1:2015,EN61000-3-2:2014,EN6 1000-3-3:2013,EN61547:2009, GB/T17743.2017
	Performance 性能标准	EN62384
	Surge 浪涌	L-N/0.5KV
Others 其它	RoHS 环保	complied to 2011/65/EU
	Life Time 寿命	30000h @50℃ (Ta) / 85℃ (TC)
	Warranty 质保	3years , F.R. <10000ppm (质保期过的失效率)
Remark/备注		





1. 所有参数无特别说明，均在输入电压 230VAC/50Hz 和 25℃ 的环境温度下测得。All Parameters, if not specified, are measured at 230VAC/50Hz and 25℃ ambient temperature.
2. LED 电源作为整灯中的一个零部件与终端设备结合使用，因 EMC 性能受 LED 灯具以及走线的影响，终端设备制造商需对整套装置重新进行 EMC 确认。LED Driver is a component of the luminaires, Luminaires and wire layout will affect the EMC, please check the EMC with end products again.

### 2. Label 铭牌

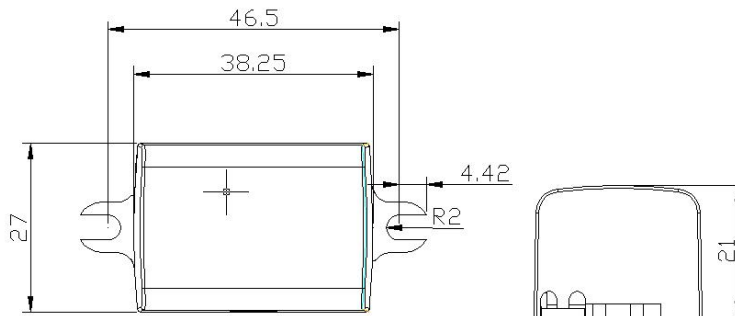
○ P  
○ N  
○ BU  
○ BU  
PR1

**LED Driver**  
MODEL: KEDH006S0700NR01A7

UN= 220-240Vac      Uout= 5-9Vdc  
 IN= 0.12A max.      Iout= 700mA const.  
 fn= 50/60Hz      Pout= 6.3W Max.  
 ta= 50°C      Umax= 17Vdc  
 SELV for LED only      ● tc= 85°C

SEC BK I ○  
RD + ○

### 3. Dimension 尺寸 (Unit: mm)



### 4. Packing information 装箱信息

Carton L*W*H(mm) 纸箱尺寸	Pcs/Carton 数量/箱	Net weight/ Pcs(kg)净重/个	Net weight/ Carton(kg)净重/箱	Gross weight / Carton(kg)毛重/箱
450*240*200	250	0.35	8.87	9.62

### 5. Wiring Diagram 接线图

