



科谷电源

Power the world · power the future

驱动世界 · 驱动未来



Constant Current Driver 恒流电源

Model 型号: KEDH015SXXXXNR66A9
KEDH018SXXXXNR66A9



Model 型号	Output Current 输出电流	Input Current 输入电流	Input Power 输入功率	Output Power Range 输出功率范围	PF 功率因素	Efficiency 效率	Output Voltage 输出电压	No load Voltage 空载电压
KEDH015S0600NR66A9	600mA	0.12A	19W	10.5-14.7W	0.92	84%	16-25V	40V
KEDH018S0350NR66A9	350mA	0.12A	22W	12.6-17.5W	0.92	86%	36-50V	65V
KEDH018S0400NR66A9	400mA	0.12A	21W	12-16.8W	0.92	86%	30-42V	55V
KEDH018S0450NR66A9	450mA	0.12A	22W	13.5-18.4W	0.92	86%	30-40V	55V
KEDH018S0500NR66A9	500mA	0.12A	24W	13.5-19W	0.92	86%	27-38V	55V
KEDH018S0550NR66A9	550mA	0.12A	22W	12.1-17.6W	0.92	86%	22-32V	45V
KEDH018S0600NR66A9	600mA	0.12A	22W	13.2-18W	0.92	85%	22-30V	45V
KEDH018S0650NR66A9	650mA	0.12A	20W	10.4-16.3W	0.92	86%	16-25V	40V
KEDH018S0700NR66A9	700mA	0.12A	22W	9.8-15.4W	0.92	86%	16-25V	40V
KEDH018S0750NR66A9	750mA	0.12A	20W	10.5-16.5W	0.92	86%	14-22V	35V
KEDH018S0800NR66A9	800mA	0.12A	22W	11.2-17.6W	0.92	86%	14-22V	35V
KEDH018S0850NR66A9	850mA	0.12A	21W	10.2-17W	0.92	86%	12-20V	35V
KEDH018S0900NR66A9	900mA	0.12A	23W	10.8-18W	0.92	86%	12-20V	35V

* Test result @230V, 50Hz, Full Load.所有测试参数基于@230V, 50Hz, 满载

1. Parameters 参数表

category 类别	Item 项目	Technical Norm 技术指标
Features 特性	Output Type 输出类型	Constant Current 恒流
	IP Grade 等级	IP44
	Insulation Class 绝缘等级	Class II
Input 输入参数	Rated Input Voltage 额定输入电压	220-240VAC
	Range of Input Voltage 输入电压范围	198-264VAC
	Frequency 输入频率	50/60Hz
	Input Current 输入电流	≤0.12A (198VAC, full load)
	Input Power 输入功率	≤ 24W (230VAC, full load)
	Power Factor 功率因素	≥0.92 (230VAC, full load)
	THD 谐波	≤15% (230VAC, full load)
	No-load Power Consumption 空载功耗	≤0.5W @230VAC
Inrush Current 涌入电流	≤15A/350us (230VAC, Full-load)	

广东科谷电源股份有限公司
KEGU POWER ELECTRONICS CO.,LTD

地址: 广东省佛山市南海区狮山工业园A区科技大道东39号

电话 Tel: 0757-66822488

传真 Fax: 0757-66822499

Add: #39 east science road, zone a shishan industrial park, foshan, china 邮箱 Email: info@kg-power.com

Http://www.kg-power.com





	Connected quantity of 16A Breaker 断路器电源连接数量	15pcs/type B ; 24pcs/type C @ 230Vac
Output 输出参数	Current Accuracy 电流精度	±5%(400MA,450MA, 500MA,550MA,600MA, 650MA,700MA,750MA,800MA,850MA, 900MA) ±6% (350MA)
	Max. Output Power 最大输出功率	19W
	Started Delay Time 启动延时	≤0.5S (230VAC, full load)
	Current Ripple 纹波电流	±5% (Imax-Imin) / (Imax+Imin)
Protection 保护特性	Short Circuit Protection 短路保护	Auto Recovery
	Overload Protection 过载保护	Auto Recovery
	No-load Protection 空载保护	Auto Recovery
	Insulation voltage 绝缘电压	I/P to O/P , 3KVac/1min
	Insulation resistance 绝缘电阻	>100M ohm @ 500VDC
	Leakage current 漏电流	I/P to O/P < 250 μ A
Environment 使用环境	Ta/Operation Temperature 工作温度	-20....+50℃
	Ts/Storage Temperature 储存温度	-25....+80℃
	Tc/Enclosure Temperature 外壳温度	80℃
	Humidity 湿度	10%....90%RH
	Atmosphere 大气压强	86-108KPa
Construction 安装	Connection Method 连接方式	Direct Lead 接线
	Installation 安装方式	Build-in 内置
	PRI Wire preparation 输入线径	0.5-1.5□
	SEC Wire preparation 输出线径	0.5-1.5□
	Dimension 尺寸	58X36X23mm (L*W*H)
Standards 标准	Certification 证书	TUV、CE、SAA、CCC
	Safety Standards 安全标准	EN61347-1:2015,EN61347-2-13:2014/A1:2017,E N62493:2015, AS/NZS IEC61347.2.13:2013, AS/NZS 61347.1:2016, GB19510.1-2009, GB19510.14-2009
	EMC Standards 电磁兼容标准	EN55015:2013/A1:2015,EN61000-3-2:2014,EN6 1000-3-3:2013,EN61547:2009,CB/T17743.2017
	Performance 性能标准	EN62384
	Surge 浪涌	L-N/1KV
	Others 其它	RoHS 环保
	Life Time 寿命	50,000h @50℃ (Ta) / @80℃ (Tc)
	Warranty 质保	5years , F.R. < 10000ppm (质保期过的失效率)

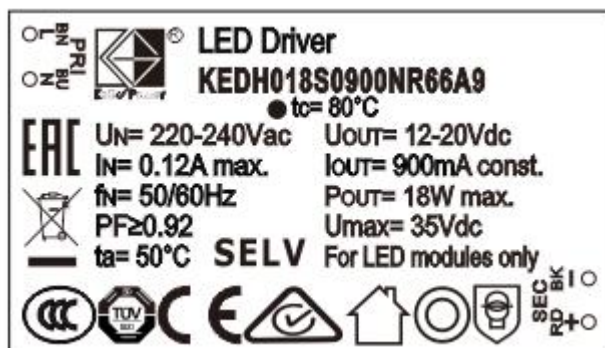
Remark/备注

1. 所有参数无特别说明，均在输入电压 230VAC/50Hz 和 25℃ 的环境温度下测得。All Parameters, if not specified, are measured at 230VAC/50Hz and 25℃ ambient temperature.
2. LED 电源作为整灯中的一个零部件与终端设备结合使用，因 EMC 性能受 LED 灯具以及走线的影响，终端设备制造商需对整套装置重新进行 EMC 确认。LED Driver is a component of the luminaires, Luminaires and

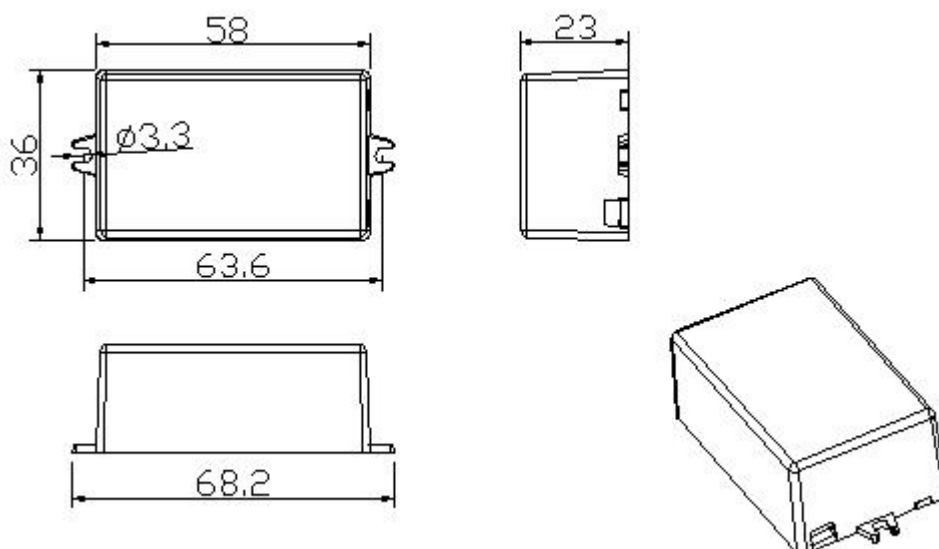


wire layout will affect the EMC, please check the EMC with end products again.

2. Label 铭牌(For example 举例)



3. Dimension 尺寸 (Unit: mm)



4. Packing information 装箱信息

Carton L*W*H(mm) 纸箱尺寸	Pcs/Carton 数量/箱	Net weight/ Pcs(kg)净重/个	Net weight/ Carton(kg)净重/箱	Gross weight / Carton(kg)毛重/箱
450*240*200	270	0.08	21.6	22.4

5. Wiring Diagram 接线图

