



科谷电源

Power the world · power the future

驱动世界 · 驱动未来



Constant Current & Dimmable Driver
可控硅恒流调光电源

Model/型号: KDMH020S0500RR10
KDMH020S0700RR10
KDMH020S0900RR10



Model 型号	Output Current 输出电流	Input Current 输入电流	Input Power 输入功率	Output Power Range 输出功率范围	PF 功率因素	Efficiency 效率	Output Voltage 输出电压	No load Voltage 空载电压
KDMH020S0500RR10	500mA	0.15A	25W	9.1-19W	0.92	84%	26-38V	55V
KDMH020S0700RR10	700mA	0.15A	25W	7.5-19.6W	0.92	84%	15-28V	43V
KDMH020S0900RR10	900mA	0.15A	25W	9.8-19.8W	0.92	84%	14-22V	35V

* Test result @230V, 50Hz, Full Load.

1. Parameters 参数表

category 类别	Item 项目	Technical Norm 技术指标
Features 特性	Output Type 输出类型	Constant Current 恒流
	Dimming Type 调光类型	Phase dimming 可控硅调光
	Dimming Range 调光范围	10%-100%
	IP Grade 等级	IP20
Input 输入参数	Insulation Class 绝缘等级	Class II
	Rated Input Voltage 额定输入电压	220-240VAC
	Range of Input Voltage 输入电压范围	198-264VAC
	Frequency 输入频率	50/60Hz
	Input Current 输入电流	≤0.15A (198VAC, full load)
	Input Power 输入功率	≤25W (230VAC, full load)
	Power Factor 功率因素	≥0.92 (230VAC, full load)
	THD 谐波	≤20% (230VAC, full load)
	No-load Power Consumption 空载功耗	≤0.5W @230VAC
	Inrush Current 涌入电流	≤20A/10us (230VAC, full load)
Output Voltage 输出电压	Connected quantity of 16A Breaker 断路器电源连接数量	11pcs/type B ; 18pcs/type C @ 230Vac
	KDMH020S0500RR10	26-38V
	KDMH020S0700RR10	15-28V
Output Current	KDMH020S0900RR10	14-22V
	KDMH020S0500RR10	350mA/400mA/450mA/500mA

广东科谷电源股份有限公司
KEGU POWER ELECTRONICS CO.,LTD

地址: 广东省佛山市南海区狮山工业园A区科技大道东39号

电话 Tel: 0757-66822488

传真 Fax: 0757-66822499

Add: #39 east science road, zone a shishan industrial park, foshan, china 邮箱 Email: info@kg-power.com

Http://www.kg-power.com





科谷电源

Power the world · power the future

驱动世界 · 驱动未来

输出电流	KDMH020S0700RR10	500mA/550mA/600mA/700mA
	KDMH020S0900RR10	700mA/800mA/850mA/900mA
No Load Voltage 空载电压	KDMH020S0500RR10	55VDC Max.
	KDMH020S0700RR10	43VDC Max.
	KDMH020S0900RR10	35VDC Max.
Output 输出参数	Max. Output Power 最大输出功率	19.8W
	Efficiency 效率	≥84% (230VAC, full load)
	Current Ripple 纹波电流	±10% (230VAC, full load)
	Current Accuracy 电流精度	±5%
	Started Delay Time 启动延时	≤0.5S (230VAC, full load)
Protection 保护特性	Short Circuit Protection 短路保护	Auto Recovery
	Overload Protection 过载保护	Auto Recovery
	No-load Protection 空载保护	Auto Recovery
	Insulation voltage 绝缘电压	I/P to O/P , 3.75KVac/1min
Environment 使用环境	Ta/Operation Temperature 工作温度	-25...+50℃
	Ts/Storage Temperature 储存温度	-40...+85℃
	Tc/Enclosure Temperature 外壳温度	85 ℃
	Humidity 湿度	10%....90%RH
	Atmosphere 大气压强	86-108KPa
Construction 安装	Connection Method 连接方式	Push-in Terminal
	Installation 安装方式	Independent & Built in
	PRI Wire preparation 输入线径	0.75-1.5 [□]
	SEC Wire preparation 输出线径	0.5-1.5 [□]
	Dimension 尺寸	Independent:137.6*44*30mm (L*W*H) Built in:97.8*44*30mm(L*W*H)
Standards 标准	Certification 证书	complied to CE ENEC SAA
	Safety Standards 安全标准	EN61347-1:2015,EN61347-2-13:2014/A1:2017 ,EN62493:2015,AS/NZSIEC61347.2.13:2013, AS/NZS 61347.1:2016
	EMC Standards 电磁兼容标准	EN55015:2013/A1:2015,EN61000-3-2:2014,E N61000-3-3:2013,EN61547:2009
	Performance 性能标准	EN62384
	Surge 浪涌	L-N/1KV
	RoHS 环保	complied to 2011/65/EU
	Life Time 寿命	50000h @50℃ (Ta) / 85℃ (Tc)
Warranty 质保	5years , F.R. < 1000ppm	

Remark 备注: 1.所有参数无特别说明,均在输入电压 230VAC/50Hz 和 25℃ 的环境温度下测得。Specific instructions are not all parameters are not connect dimmer input voltage 230 vac / 50 Hz and 25 ℃ ambient temperature measured.

2.LED 电源作为整灯中的一个零部件与终端设备结合使用,因 EMC 性能受 LED 灯具以及走线的影响,终端设备制造商需对整套装置重新进行 EMC 确认。LED Driver is a component of the luminaires, Luminaires and wire





layout will affect the EMC, please check the EMC with end products again.

3. Trailing edge dimmable.后切调光器

2. Trailing Edge Dimmer list approved by KEGU 科谷承认的后切调光器

Manufacturer	Model	Q'ty of parallel connection
ABB	6519 U	8
ABB	6526 U	8
JUNG	1224 LED UDE	9
Berker	2861	7
JUNG	254 UDIE 1	7
JUNG	225 TDE	8
EGANT	U321V2	7
Schneider	SBD200LED	8
Schneider	SBD315RC	7
Merten	SBD200LED	8
Berker	2874	7
Eltako	EUD61NPL-230V	7
Eltako	EUD12NPN-UC	9
Eltako	EUD12D-UC	8
Eltako	EUD61NP-230V	7
Eltako	DTD55-230V-wg	9
Eltako	DTD55L-230V-wg	7
GIRA	Universal-LED-Dimmer Mini2440 00	7
EHMANN	LED-Dimmer T46.08	7
JUNG	DrehDimmer Unlversal LED1731DD	8

Leading Edge Dimmer list only on request -/ or confirmed by KEGU POWER
前切调光器请与科谷确认

3. Label 铭牌

LED Dimmable Driver
KDMH020S0500RR10
Constant Current Type For LED modules only

$U_N = 220-240Vac$ 50/60Hz $\lambda: \geq 0.92C$
 $U_{out} = Max. 55Vdc$ SELV

PIN1	PIN2	Io (mA)	Po (W)	Uout (V)	Iv (A)
OFF	OFF	350	13.3	26-38	0.13
OFF	ON	400	15.2		
ON	OFF	450	17.1		
ON	ON	500	19		

8mm
PRI 0.75-1.5
SECO. 5-1.5
● $t_c = 85^\circ C$
● $t_a = -20^\circ C - +50^\circ C$

Labels: R,C, EAC, CE, RoHS, etc.



LED Dimmable Driver
KDMH020S0700RR10 R,C
 Constant Current Type For LED modules only

$U_N = 220-240\text{Vac}$ 50/60Hz $\lambda: \geq 0.92\text{C}$
 $U_{out} = \text{Max.} 43\text{Vdc SELV}$

PIN1	PIN2	Io (mA)	Po (W)	Uout(V)	In (A)
OFF	OFF	500	14	15-28	0.13
OFF	ON	550	15.4		
ON	OFF	600	16.8		
ON	ON	700	19.6		

8mm
 PRI 0.75-1.5 □
 SEC0.5-1.5 □
 ● $t_c = 85^\circ\text{C}$
 $t_a = -20^\circ\text{C} - +50^\circ\text{C}$

1 2 ON
 N PRI
 L

LED Dimmable Driver
KDMH020S0900RR10 R,C
 Constant Current Type For LED modules only

$U_N = 220-240\text{Vac}$ 50/60Hz $\lambda: \geq 0.92\text{C}$
 $U_{out} = \text{Max.} 35\text{Vdc SELV}$

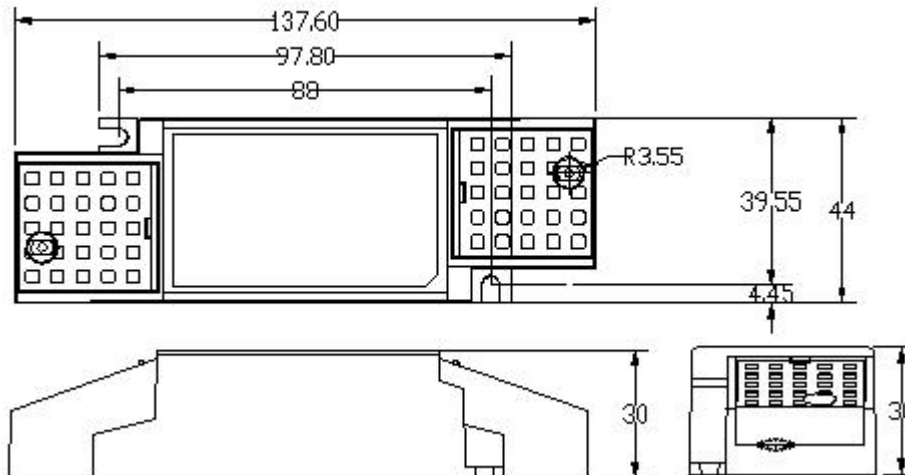
PIN1	PIN2	Io (mA)	Po (W)	Uout(V)	In (A)
OFF	OFF	700	15.4	14-22	0.13
OFF	ON	800	17.6		
ON	OFF	850	18.7		
ON	ON	900	19.8		

8mm
 PRI 0.75-1.5 □
 SEC0.5-1.5 □
 ● $t_c = 85^\circ\text{C}$
 $t_a = -20^\circ\text{C} - +50^\circ\text{C}$

1 2 ON
 N PRI
 L

4. Dimension尺寸 (Unit: mm)

Independent type:



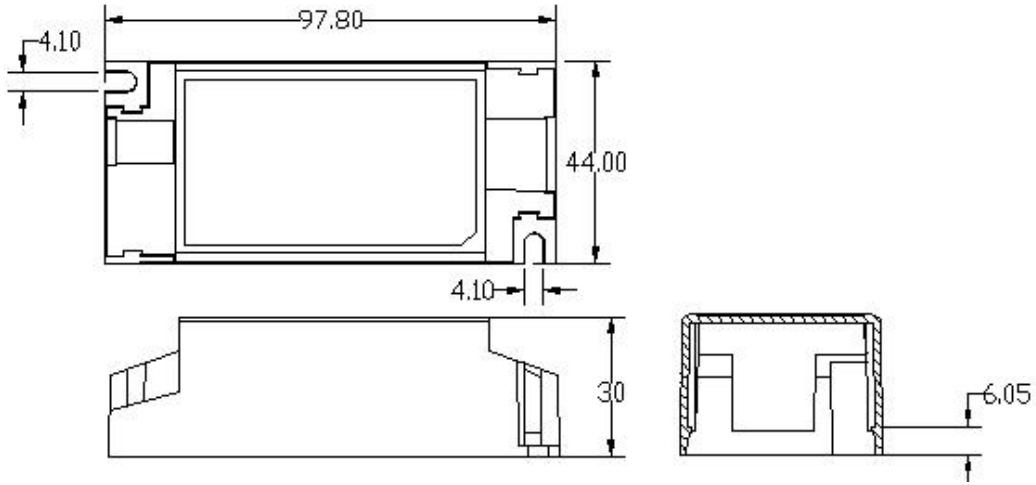


科谷电源

Power the world · power the future

驱动世界 · 驱动未来

Built in type:

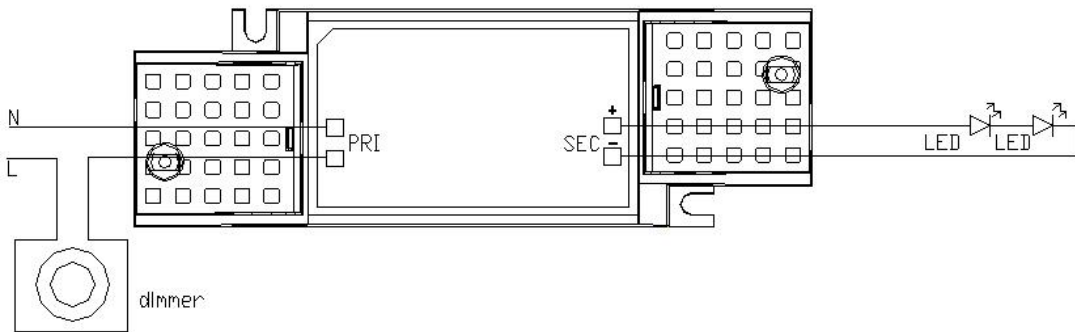


5. Packing information 装箱信息

Carton L*W*H(mm)	Pcs/Carton	Net weight/ Pcs(kg)	Net weight/ Carton(kg)	Gross weight / Carton(kg)
450*240*200	70	0.105	7.35	9

6. Wiring Diagram 接线图

Independent type:



Built in type:

