
Constant Current Dimmable Driver
恒流调光电源
Model/型号: KEDH042S1050DR76-6


Model 型号	Output Current 输出电流	Input Current 输入电流	Input Power 输入功率	Output Power Range 输出功率范围	PF 功率因素	Efficiency 效率	Output Voltage 输出电压	No load Voltage 空载电压
KEDH042S1050DR76-6	300mA	0.07A	15.4W	3.00-12.60W	0.7	82%	10-42V	55V
	350mA	0.08A	17.9W	3.50-14.70W	0.75	82%	10-42V	55V
	400mA	0.09A	20.5W	4.00-16.80W	0.80	82%	10-42V	55V
	450mA	0.10A	22.8W	4.50-18.90W	0.82	83%	10-42V	55V
	500mA	0.11A	25.3W	5.00-21.00W	0.85	83%	10-42V	55V
	550mA	0.12A	27.8W	5.50-23.10W	0.9	83%	10-42V	55V
	600mA	0.14A	30.4W	6.00-25.20W	0.92	83%	10-42V	55V
	650mA	0.15A	32.5W	6.50-27.30W	0.92	84%	10-42V	55V
	700mA	0.16A	35W	7.00-29.40W	0.92	84%	10-42V	55V
	750mA	0.17A	37.5W	7.50-31.50W	0.92	84%	10-42V	55V
	800mA	0.18A	40W	8.00-33.60W	0.92	84%	10-42V	55V
	850mA	0.18A	40W	8.50-34.00W	0.92	85%	10-40V	55V
	900mA	0.2A	42.4W	9.00-36.00W	0.92	85%	10-40V	55V
	950mA	0.2A	44.7W	9.50-38.00W	0.92	85%	10-40V	55V
	1000mA	0.23A	46.5W	10.00-40.00W	0.92	86%	10-40V	55V
1050mA	0.25A	48.8W	10.50-42.00W	0.92	86%	10-40V	55V	

* Test result @230V, 50Hz, Full Load. 所有测试参数基于 @230V, 50Hz, 满载

1.Parameters 参数表

Category 类别	Item 项目	Technical Norm 技术指标
Features 特性	Output Type 输出类型	Constant Current/恒流
	Dimming Type 调光类型	DALI 2
	Output Features 输出特性	Isolation
	IP Grade IP 等级	IP20
	Insulation Class 绝缘等级	Class II
Input 输入参数	Rated Input Voltage 额定输入电压	220-240VAC
	Range of Input Voltage 输入电压范围	176-264VAC
	Frequency 输入频率	50/60Hz





	Input Current 输入电流	≤0.25A (230VAC, full load)
	Input Power 输入功率	≤48.8W (230VAC, full load)
	Power Factor 功率因素	≥0.92 (230VAC, full load)
	No-load Power Consumption 空载功耗	≤1W @230VAC
	THD 谐波	≤20% (230VAC, full load)
	Inrush Current 涌入电流	≤18A/2.8us (230VAC, full load)
	Connected quantity of 10A Breaker 断路器电源连接数量	11pcs/typeA;17pcs/typeB;28pcs/typeC@ 230Vac
	Connected quantity of 16A Breaker 断路器电源连接数量	18pcs/typeA;27pcs/typeB;44pcs/typeC@ 230Vac
Output 输出参数	Connected quantity of 20A Breaker 断路器电源连接数量	22pcs/typeA;33pcs/typeB;55pcs/typeC@ 230Vac
	Output Voltage Range 输出电压范围	10-42VDC@300-800mA 10-40VDC@850-1050mA
	No Load Voltage 无负载电压	55VDC Max
	Output Current 输出电流	300mA -1050mA (Max. output)
	Max. Output Power 最大输出功率	42W
	Efficiency 效率	≥86% (230VAC, full load)
	Current Ripple 纹波电流	±5% (Imax-Imin) / (Imax+Imin)
	Current Accuracy 电流精度	±5%
Control Method 控制方法	Started Delay Time 启动延时	≤0.5S (230VAC, full load)
	Secondary PUSH dimming 二次调光	Secondary PUSH dimming (Max. lead wire length: 20m,same port of DALI) 二次推进调光(最大, 引线长度: 20 米, 与 DALI 相同的端口)
	DALI function 函数	DALI dimming (Max. lead wire length: 300m) logarithm or linear dimming curve selectable 达利调光(最大, 引线长度: 300 米)对数或线性调光曲线可选择
Protection 保护特性	Dimming range 调光范围	DALI dimming: 1%-100%, Dim to off .
	Short Circuit Protection 短路保护	Auto Recovery/自动恢复
	Overload Protection 过载保护	Auto Recovery/自动恢复
	No-load Protection 空载保护	Auto Recovery /自动恢复
	Insulation voltage 绝缘电压	3000V 5mA 60S between P-S
	Insulation resistance 绝缘电阻	>100M ohm @ 500VDC
Environment 使用环境	Leakage current 漏电流	< 250μA, I/P to O/P or I/P to PE @230V input
	Ta/Operation Temperature 工作温度	-25....+35℃
	Ts/Storage Temperature 储存温度	-40....+85℃
	Tc/Enclosure Temperature 外壳温度	85℃



	Humidity 湿度	10%....90%RH
	Atmosphere 大气压强	86-108KPa
Construction 安装	Connection Method 连接方式	Push-in Terminal 推入式端子
	Installation 安装方式	Independent 独立式
	PR1 Wire preparation 输入线径	0.75-1.5 ^φ
	SEC Wire preparation 输出线径	0.5-1.5 ^φ
	Dimension 尺寸	265*42*31mm (L*W*H)
Standards 标准	Certification 证书	CE ENEC SAA
	Safety Standards 安全标准	EN61347-1:2015,EN61347-2-13:2014/A1:2017, EN62493:2015 AS 61347.2.13:2018 ,AS/NZS 61347.1:2016 Inc A1
	EMC Standards 电磁兼容标准	EN55015:2013/A1:2015,EN61000-3-2:2014, EN61000-3-3:2013,EN61547:2009
	Performance 性能标准	EN62384
	Surge 浪涌	L-N/2KV
Others 其它	RoHS 环保	Complied to 2011/65/EU
	Life Time 寿命	50000h @Ta/ Tc
	Warranty 质保	5years , F.R. < 10000ppm (质保期过的失效率)

Remark/备注

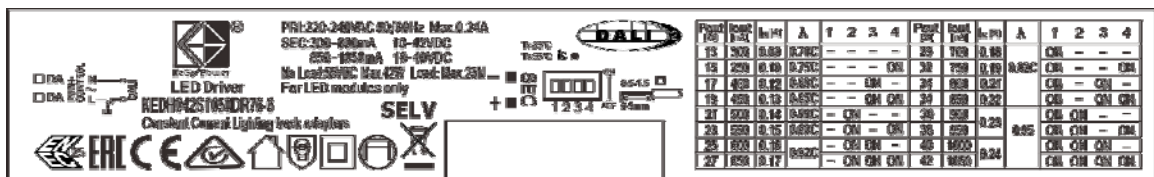
1. 所有参数无特别说明，均在输入电压 230VAC/50Hz 和 25℃ 的环境温度下测得。All Parameters, if not specified, are measured at 230VAC/50Hz and 25℃ ambient temperature.
2. LED 电源作为整灯中的一个零部件与终端设备结合使用，因 EMC 性能受 LED 灯具以及走线的影响，终端设备制造商需对整套装置重新进行 EMC 确认。LED Driver is a component of the luminaires, Luminaires and wire layout will affect the EMC, please check the EMC with end products again.



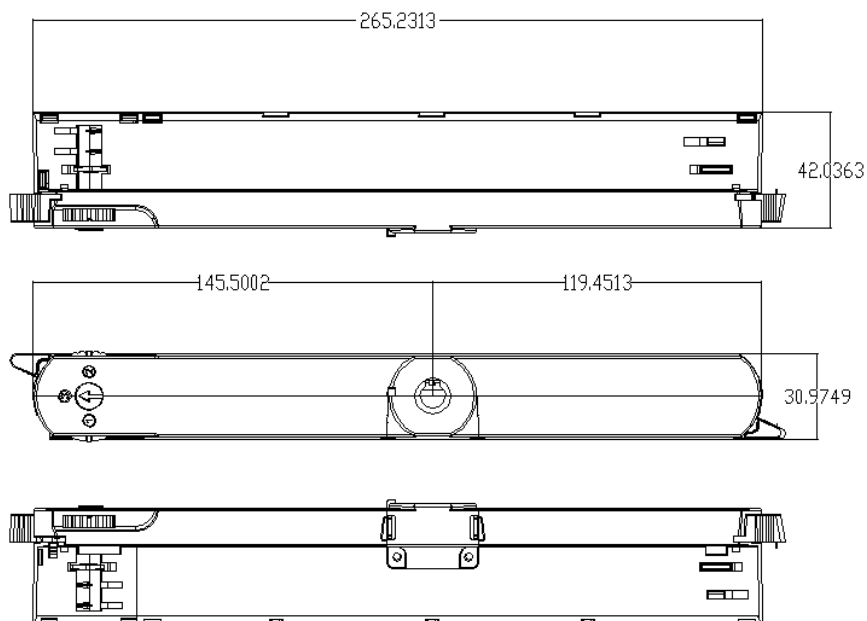
2. Output Current Setting 输出电流设定

Output Current	1	2	3	4
300mA	-	-	-	-
350mA	-	-	-	ON
400mA	-	-	ON	-
450mA	-	-	ON	ON
500mA	-	ON	-	-
550mA	-	ON	-	ON
600mA	-	ON	ON	-
650mA	-	ON	ON	ON
700mA	ON	-	-	-
750mA	ON	-	-	ON
800mA	ON	-	ON	-
850mA	ON	-	ON	ON
900mA	ON	ON	-	-
950mA	ON	ON	-	ON
1000mA	ON	ON	ON	-
1050mA	ON	ON	ON	ON

3. Label 标签



4. Dimension 尺寸 (Unit: mm)





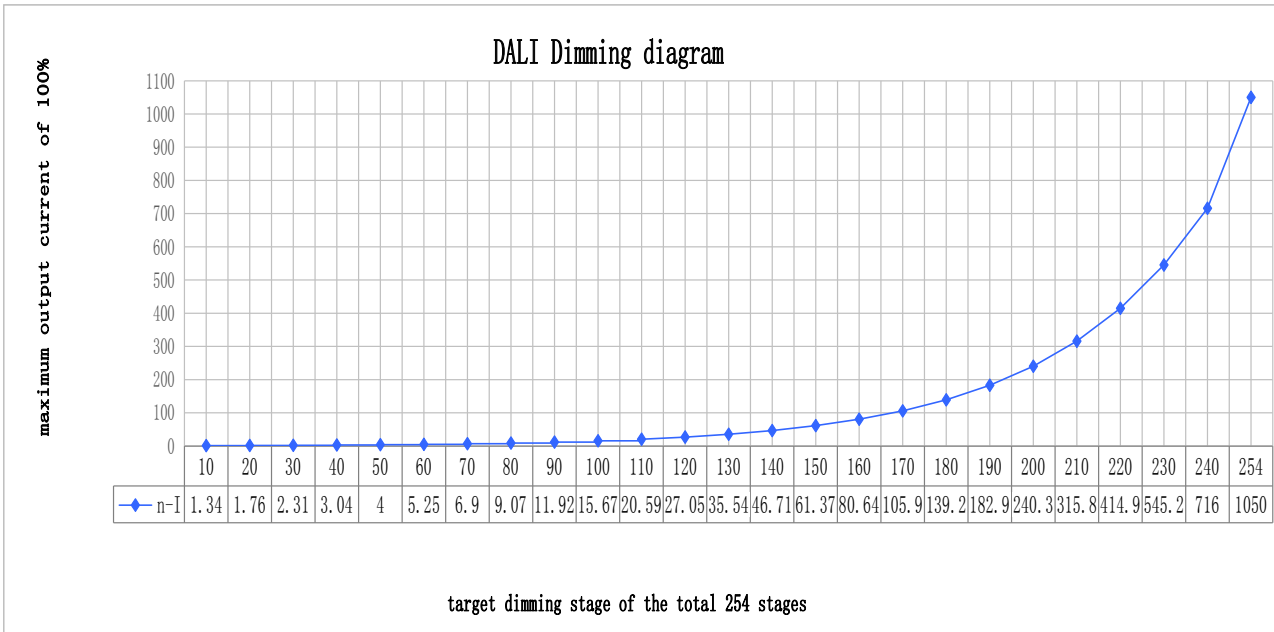
5.DALI dimming curve

formula for DALI dimming.

$$X(n)=10^{\{[(n-1)/(253/3)]-1\}}$$

Here,n means the target dimming stage of the total 254 stages.

X(n) means the percent of the maximum output current



6.Packing information 包装信息

Carton L*W*H(mm) 纸箱尺寸	Pcs/Carton 数量/箱	Net weight/ Pcs(kg)净重/个	Net weight/ Carton(kg)净重/箱	Gross weight / Carton(kg)毛重/箱
515*274*370	70	0.192	13.44	14.2

7.Wiring Diagram 接线图

