



### 一、卫生泵系列 Sanitary Pump Series

1.2、卫生型自吸泵 Sanitary Self-priming Pump ..... Page 21-26

### 应用

自吸泵主要用来处理一些含气物料的输送。因此被广泛应用于液位高底不稳定，甚至液位低于泵进口的各种场合吸取物料，也作为CIP系统中的回程泵使用。是食品、化工、医药等行业不可缺少的输送设备。



### 性能特点



采用侧通道原理  
 具有卓越的抽吸能力  
 卫生性好、易清洗  
 低成本维护  
 低电耗、低噪音

### 轴封

SFZB卫生型自吸泵的轴封采用机械密封。

机械密封材料：石 墨— 不锈钢

碳化硅— 碳化硅

硬质合金—硬质合金

### 材质

所有过液部件、泵壳、泵盖和叶轮均由316L不锈钢制造。

过液部分材质：316L不锈钢

其它部分材质：304不锈钢

过液密封材料：三元乙丙橡胶(EPDM)、氟橡胶(FKM)

### 表面处理

接液部分抛光，其余亚光或喷砂处理

### 技术参数

最大进口压力：0.5MPa

温度范围：-10℃到+140℃(EPDM)

噪声水平（1米处）：小于85dB (A)

电压频率：

50Hz, 220~240V/380~420V/660~690V, Δ/Y

电机功率：5.5, 7.5, 11,15,18.5KW

### Application

Sanitary Self-priming Pump is mainly applicable in the transportation of air-containing material. It is thus used widely in the suction of materials under such conditions as unstable liquid level, or even liquid level is lower than the pump inlet. It can also act as return pump in CIP system. It is the indispensable transporting equipment in food, chemical and pharmaceutical industries.



### Features and Advantages

Adopting the sideway principle  
 Outstanding pumping ability  
 Perfect sanitary property and cleanability.  
 Cost effective maintenance  
 Low power consumption, low noise.

### Shaft Seal

SFZB Sanitary Self-priming Pump adopts mechanical shaft seal.

Machinery sealed material: C-316L

SiC-SiC

TC-TC

### Materials

All the medium-contacting parts, pump casing, cover and impeller are made of 316L stainless steel

Medium-contacting parts:316L stainless steel

Other parts: 304 stainless steel

Medium-contacting seal: EPDM、FKM

### Surface treatment

Medium-contacting parts: polishing, other parts: matt or sand blasting.

### Technical parameter

Max. inlet pressure:0.5MPa

Temperature range: -10 °C ~+140℃(EPDM)

Noise level(at 1 meter distance):≤85 dB(A)

Voltage frequency:

50Hz, 220~240V/380 ~420V /660 ~690V, Δ/Y

Motor power: 5.5, 7.5, 11,15,18.5KW

### 电机:

1、电机采用“ABB”，“SIEMENS”，“WEG”品牌标准三相交流电机，按照国际电工委员会IEC60034、IEC60072标准设计制造，符合欧盟“CE”标记要求。“WEG”符合北美“CSA”、“UL”认证。

2、可供选用防爆电机，以满足不同场合的需要。

3、优越的电气性能、低噪音、低振动，电机的标准设计防护等级为IP55，绝缘等级为F级。

4、工作电压:

≤3Kw, 220~240V/380~420V, Δ/Y

> 3Kw, 380~420V/660~690V, Δ/Y

5、频率: 50Hz/60Hz

6、工作方式: 连续 (SI)

7、转速: 标准泵的转速为1450r/min

### Motor

1. ABB、SIEMENS、WEG three phase alternating current motor is adopted. It is produced in compliance with IEC60034/IEC60072 standards and CE of EU. "WEG" conforms to the America "CSA" and "UL" certification.

2. Anti-explosion motor is available to meet requirements on different occasions.

3. Outstanding electrical properties, low noise, low vibration, standard IP Grade is IP55, insulation class is grade F.

4. Working voltage:

≤3Kw, 220 ~240V/380 ~420V, Δ/Y

>3Kw, 380 ~420V /660 ~690V, Δ/Y

5. Frequency: 50Hz/60Hz

6. Working mode: continuous (SI)

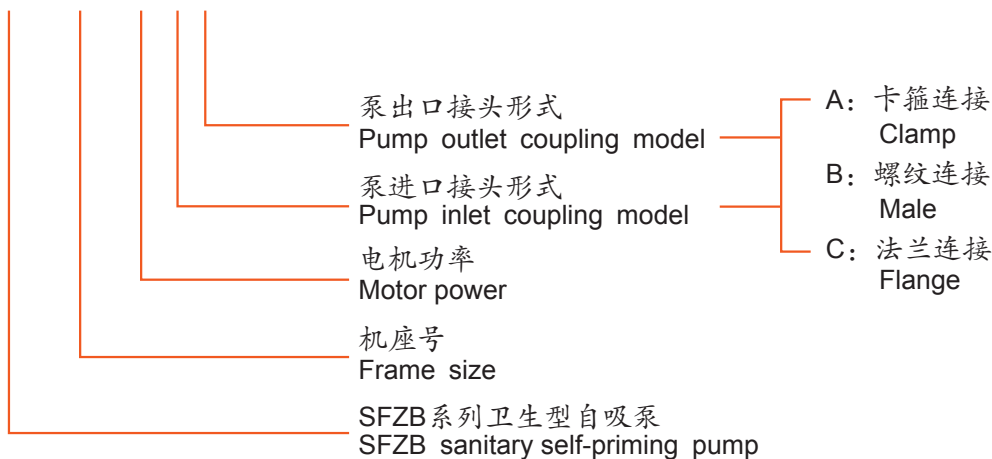
7. Rotating speed: standard: 1450r/min

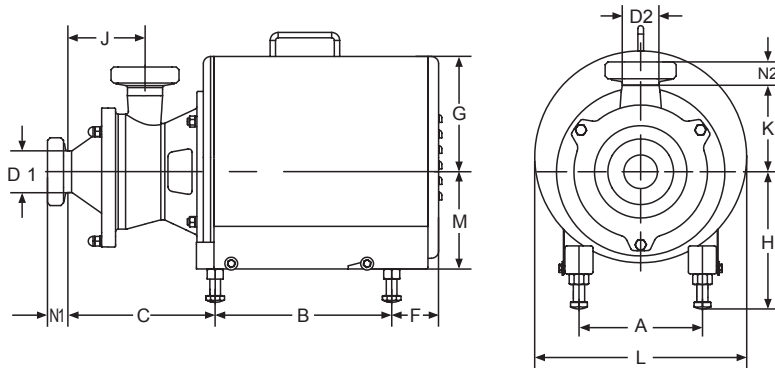
### SFZB卫生型自吸泵型号说明

### Model description of SFB Sanitary Self-priming Pump

示例: (Example)

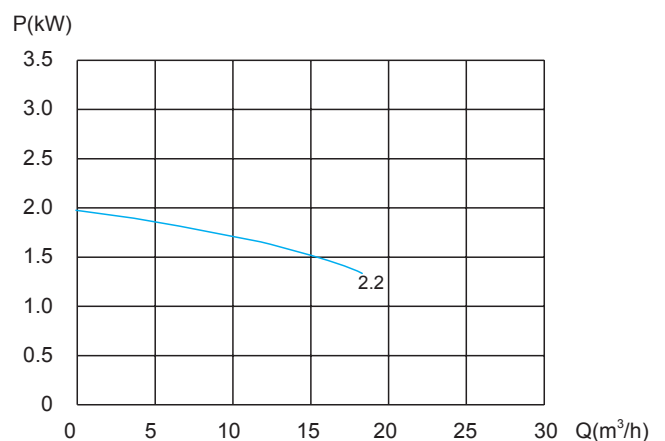
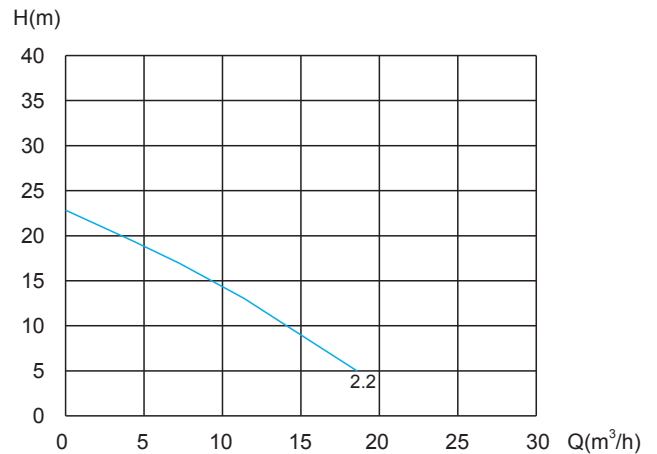
SFZB-1020 - 5.5 A B





### SFZB-1010外形安装尺寸 Dimensions

Size	电机功率(Motor Power)
	2.2KW
A	170
B	270
C	186
F	147
G	210
H max	220
H min	190
J	117
K	125
L	350
M	150

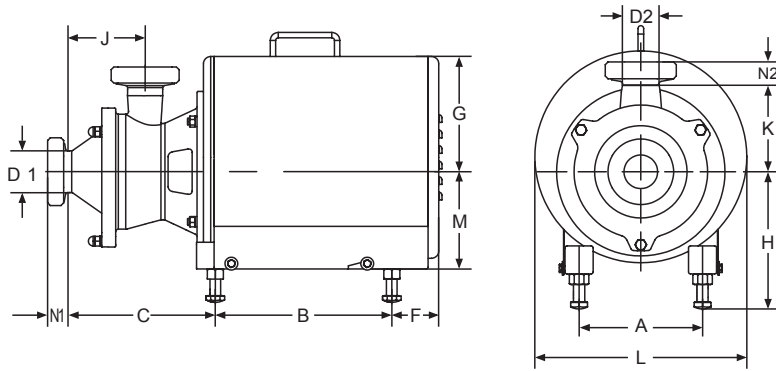


Size	ISO卡箍	DIN卡箍	SMS活接	DIN活接	ISO法兰	DIN法兰
D1	50.8	52	50.8	52	50.8	52
D2	50.8	52	50.8	52	50.8	52
N1	21.5	21.5	20	23	25	24
N2	21.5	21.5	20	23	25	24

### 性能曲线 Performance Curve

介质: 20℃清水 误差: ±5% Medium: 20℃ clean water Error: ±5%	转速: 1450r/min 频率: 50Hz Rotating Speed: 1450r/min Frequency: 50Hz	进口口径: Φ50.8 DN50 出口口径: Φ50.8 DN50 Inlet Diameter: Φ50.8 DN50 Outlet Diameter: Φ50.8 DN50	吸程: 8M Suction Lift: 8M
---	---	---	----------------------------

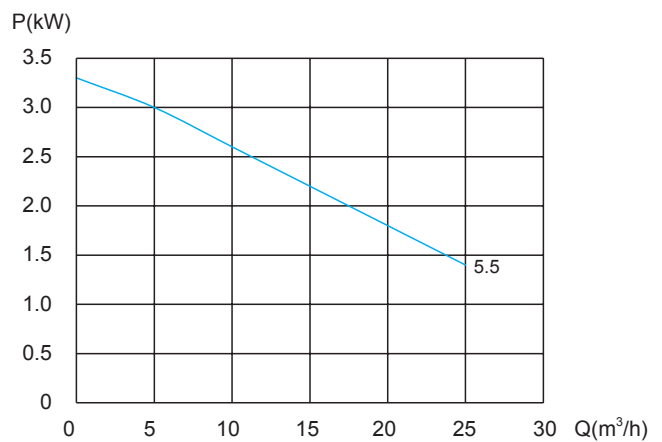
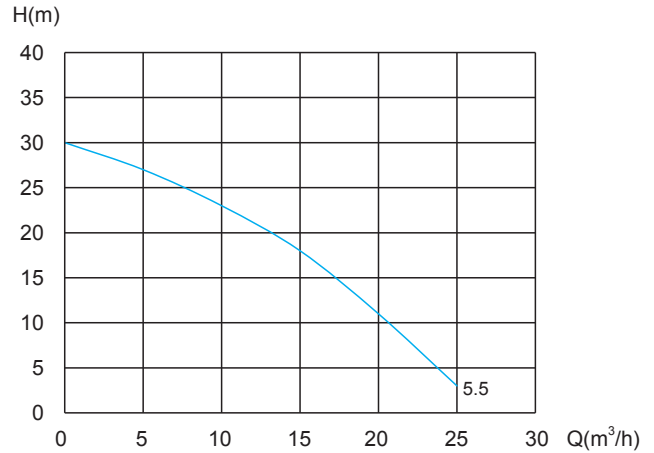
选择时需考虑留有安全余量 Safety tolerance should be reserved when selecting motor power



### SFZB-1020外形安装尺寸 Dimensions

Size	电机功率(Motor Power)
	5.5KW
A	216
B	330
C	273
F	88
G	215
H max	295
H min	260
J	142
K	154
L	400
M	182

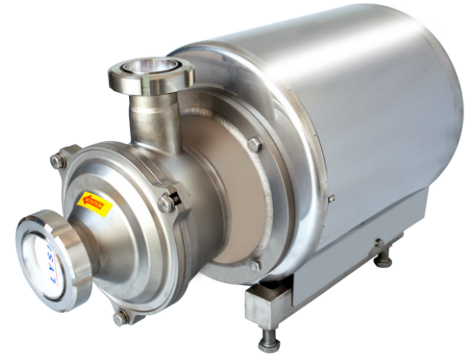
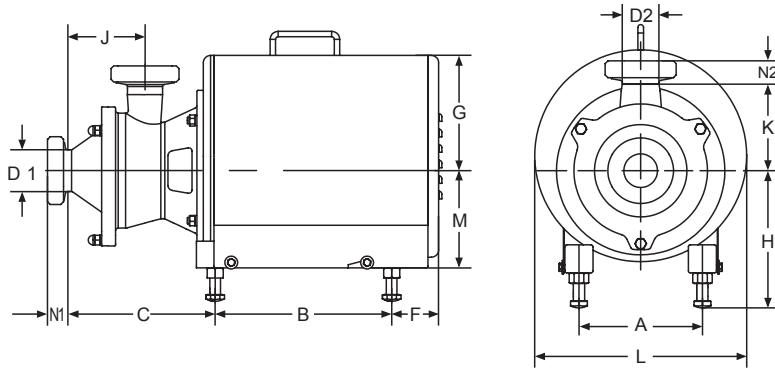
Size	ISO卡箍	DIN卡箍	SMS活接	DIN活接	ISO法兰	DIN法兰
D1	76.1	85	76.1	85	76.1	85
D2	63.5	70	63.5	70	63.5	70
N1	21.5	21.5	24	24	25	24
N2	21.5	21.5	24	24	25	24



### 性能曲线 Performance Curve

介质: 20℃清水 误差: ±5% Medium: 20℃ clean water Error: ±5%	转速: 1450r/min 频率: 50Hz Rotating Speed: 1450r/min Frequency: 50Hz	进口通径: Φ76.1 DN80 出口通径: Φ63.5 DN65 Inlet Diameter: Φ76.1 DN80 Outlet Diameter: Φ63.5 DN65	吸程: 8M Suction Lift: 8M
---	---	---	----------------------------

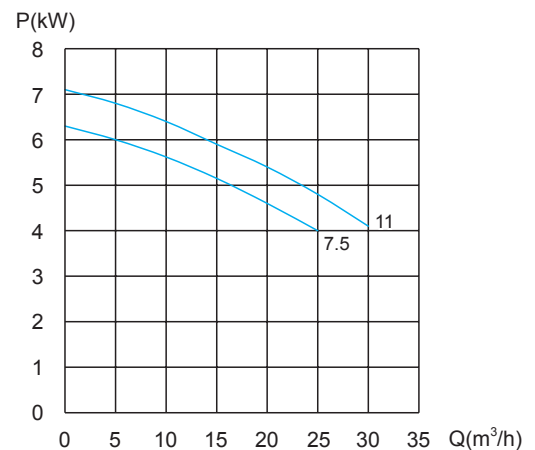
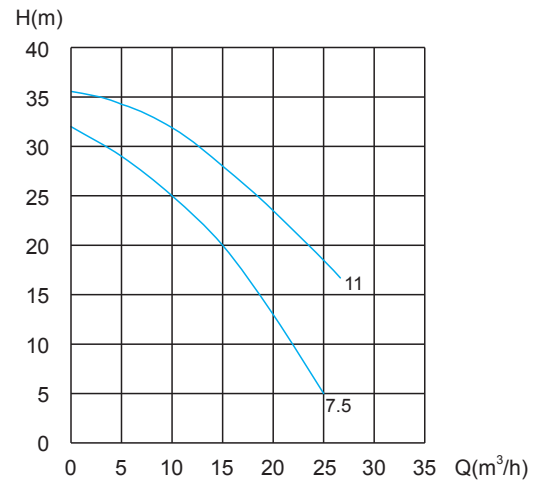
选择时需考虑留有安全余量 Safety tolerance should be reserved when selecting motor power



### SFZB-2020 外形安装尺寸 Dimensions

Size	电机功率(Motor Power)	
	7.5KW	11KW
A	216	254
B	328	400
C	245	278
F	117	72
G	215	270
H max	260	290
H min	230	255
J	142	142
K	156	154
L	400	480
M	182	182

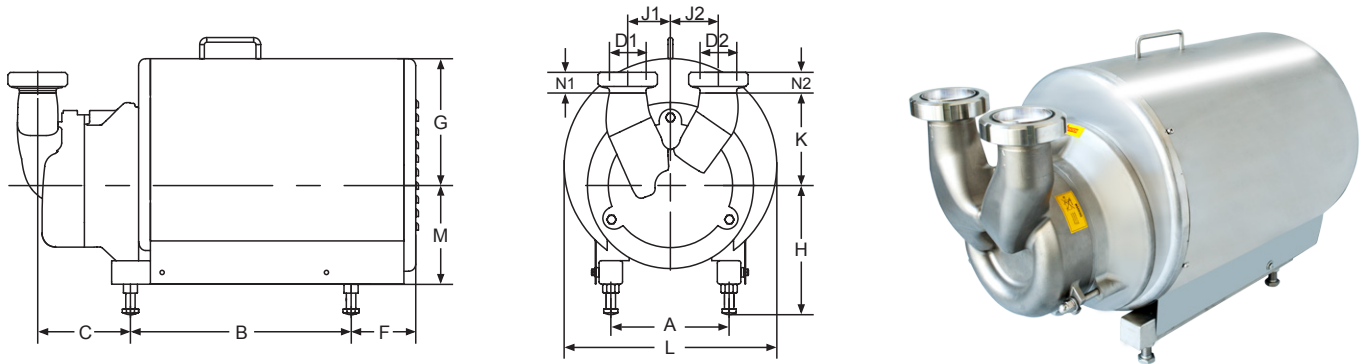
Size	ISO 卡箍	DIN 卡箍	SMS 活接	DIN 活接	ISO 法兰	DIN 法兰
D1	76.1	85	76.1	85	76.1	85
D2	63.5	70	63.5	70	63.5	70
N1	21.5	21.5	24	24	25	24
N2	21.5	21.5	24	24	25	24



### 性能曲线 Performance Curve

介质: 20℃清水 误差: ±5% Medium: 20℃ clean water Error: ±5%	转速: 1450r/min 频率: 50Hz Rotating Speed: 1450r/min Frequency: 50Hz	进口口径: Φ76.1 DN80 出口口径: Φ63.5 DN65 Inlet Diameter: Φ76.1 DN80 Outlet Diameter: Φ63.5 DN65	吸程: 8M Suction Lift: 8M
---	---	---	----------------------------

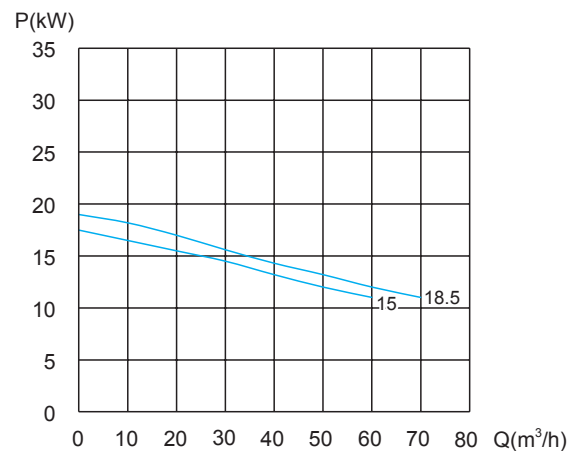
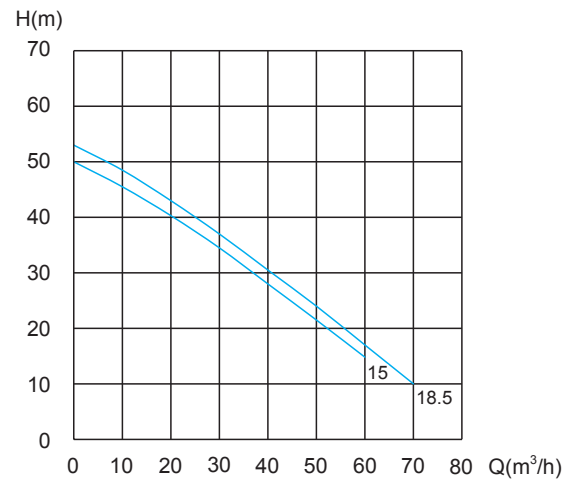
选择时需考虑留有安全余量 Safety tolerance should be reserved when selecting motor power



### SFZB-5030 外形安装尺寸 Dimensions

Size	电机功率(Motor Power)	
	15KW	18.5KW
A	254	279
B	400	390
C	197	245
F	188	200
G	270	280
H max	300	320
H min	260	280
J1	91	91
J2	102	102
K	197	197
L	460	470
M	210	230

Size	ISO 卡箍	DIN 卡箍	SMS 活接	DIN 活接	ISO 法兰	DIN 法兰
D1	76.1	85	76.1	85	76.1	85
D2	76.1	85	76.1	85	76.1	85
N1	21.5	21.5	24	44	25	24
N2	21.5	21.5	24	44	25	24



### 性能曲线 Performance Curve

介质: 20°C 清水 误差: ±5% Medium: 20°C clean water Error: ±5%	转速: 1450r/min 频率: 50Hz Rotating Speed: 1450r/min Frequency: 50Hz	进口通径: Φ76.1 DN80 出口通径: Φ76.1 DN80 Inlet Diameter: Φ76.1 DN80 Outlet Diameter: Φ76.1 DN80	吸程: 8M Suction Lift: 8M
--	---	---	----------------------------

选择时需考虑留有安全余量 Safety tolerance should be reserved when selecting motor power