

LF-GMR020YEIIxxxxH(U)
EU-Standard Isolated LED Driver for LED Tri-Proof Light

Product Description

LF-GMR020YEIIxxxxH(U) is a 20W isolated constant current LED driver. It has a linear metal casing, high power factor and high efficiency. Its rated input voltage ranges from 220Vac to 240Vac. Its output voltage ranges from 27-40Vdc with output currents of 200mA, 250mA, 300mA, 350mA, 400mA, 450mA and 500mA.



Feature

- Electrical type: isolated driver (suitable for Class I light fixtures)
- Description: EU-standard, with a linear metal casing
- Product feature: high performance, high efficiency, high PF
- Warranty: 5 yrs (Please refer to the warranty condition.)
- Options: the built-in assembled version or the external assembled version



The Built-in Assembled Version

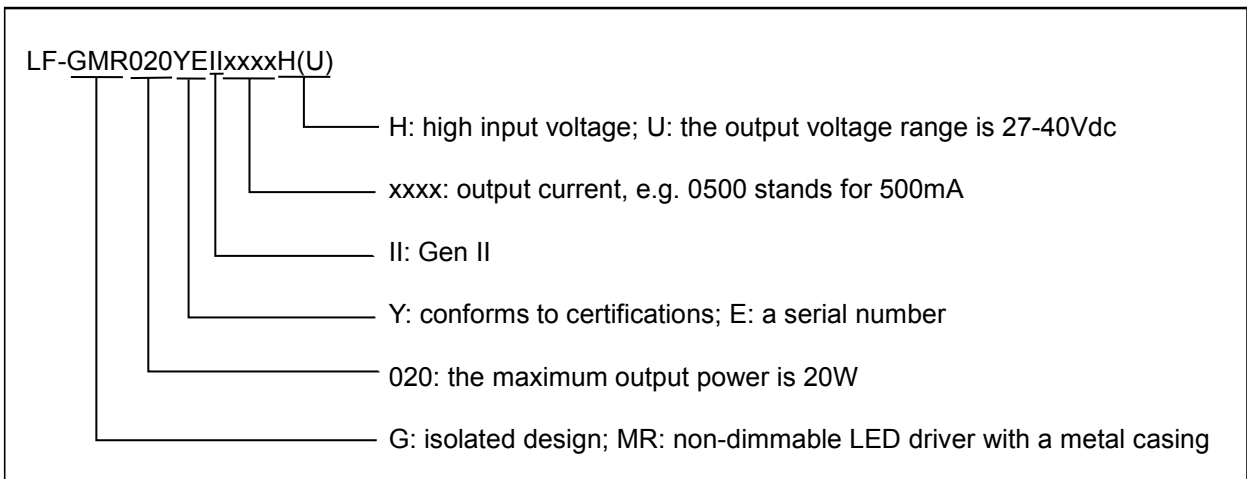
Application

- Plant lighting
- Indoor office lighting
- Decorative lighting
- Commercial lighting
- Residential lighting



The External Assembled Version

Product Naming



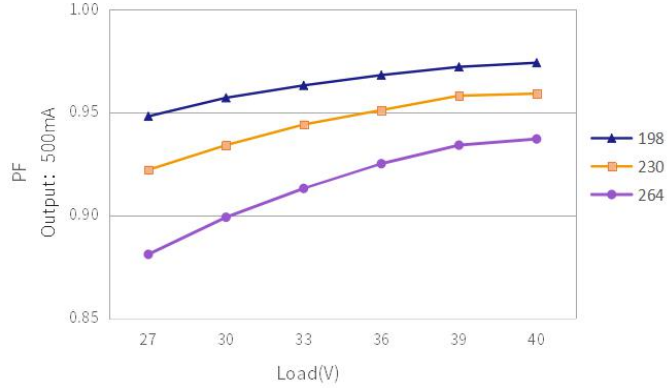
Electrical Characteristic

Model		LF-GMR020YEIIxxxxH(U)						
Output	Output Voltage	27-40Vdc						
	Output Current	500mA	450mA	400mA	350mA	300mA	250mA	200mA
	Current Accuracy	±5%						
	Temperature Drift	±10%						
	Start-up Time	<0.5S@230Vac						
Input	Input Voltage	220-240Vac (voltage limit: 198-264Vac)						
	DC Input Voltage	310-340Vdc (voltage limit: 280-374Vac)						
	Input Frequency	47Hz-63Hz						
	Input Current	0.15A Max.						
	Power Factor	≥0.95/230Vac	≥0.94/230Vac	≥0.94/230Vac	≥0.94/230Vac	≥0.94/230Vac	≥0.94/230Vac	≥0.94/230Vac
	THD	≤20%						
	Efficiency	≥87%/230Vac	≥87%/230Vac	≥86%/230Vac	≥86%/230Vac	≥85%/230Vac	≥85%/230Vac	≥85%/230Vac
	In-rush Current	≤60A & 260uS @220Vac						
	Leakage Current	≤0.7mA						
	Standby Power Consumption	≤0.5W						
Protection Characteristic	Open Circuit Protection	<55V						
	Short Circuit Protection	Hiccup mode (auto-recovery)						
Environment Description	Working Temperature	-20℃~+50℃						
	Working Humidity	20-90%RH (no condensation)						
	Storage Temperature/ Humidity	-30℃~+ 60℃ (six months under class I environment); 10-95%RH (no condensation)						

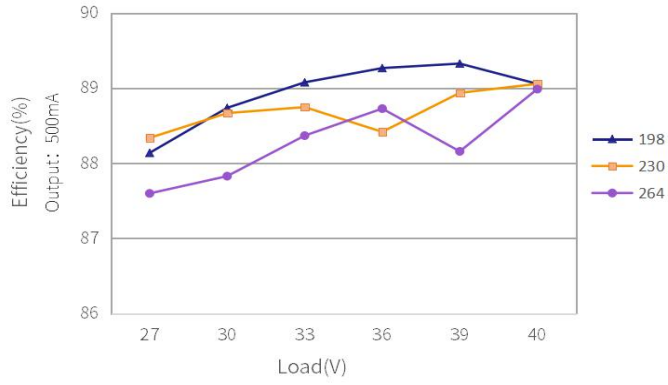
	Atmospheric Pressure	86KPa~106KPa
Safety and Electromagnetic Compatibility	Certification	Built-in assembled version: ENEC, CE, CB, RCM, SAA, CCC External assembled version: ENEC, CE, CB
	Withstanding Voltage	I/P-O/P: 3.75KV, 5mA, 60S
	Insulation Resistance	I/P-O/P: >100MΩ @500Vdc
	Safety Standard	EN61347-1: 2015, EN 61347-2-13: 2014/A1:2017, EN 62384: 2016/A1: 2009 EN 61347-2-13: 2014/A1: 2017, EN 61347-1: 2015, EN 62493: 2015 IEC 61347-1: 2015, IEC 61347-2-3: 2014, IEC 61347-2-13: 2014/AMD1: 2016 AS 61347.2-13: 2018 GB19510.1-2009, GB19510.14-2009
	EMI	EN55015, EN61000-3-2, EN61000-3-3 GB/T17743, GB17625.1, GB17625.2
	EMS	EN61000-4-2, 3, 4, 5, 6, 11 GB/T17626.2, 3, 4, 5, 6, 11
Others	IP Rating	IP20
	RoHS	RoHS 2.0 (EU) 2015/863
	Warranty	5 yrs (TC≤70℃)
Remark	<p>1. It is recommended that customer should install overvoltage and undervoltage protection devices and surge protection devices in the power supply circuits of the light fixtures to ensure safety before connecting to electricity.</p> <p>2. The PC cover, casing, end caps and other parts of the LED driver inside the LED light fixture must conform to UL94-V0 flammability standard or above.</p> <p>3. As an accessory, the LED driver is not the only factor determining the EMC performance of the LED light fixture. The structure and the wiring of the light fixture are also relevant. Thus it's strongly recommended the LED light fixture manufacturer re-confirms the EMC of the whole LED light fixture.</p> <p>4. Unless otherwise stated, the parameters of the power factor, harmonic and efficiency were test results under the ambient temperature of 25±5℃, humidity of 50% and full load.</p>	

Product Characteristic Curve

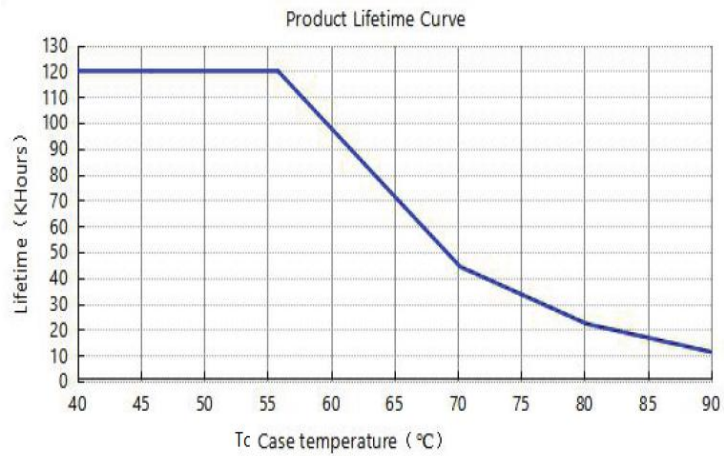
PF Curve



Efficiency Curve



Lifetime Curve



Definition of the Driver's Terminals

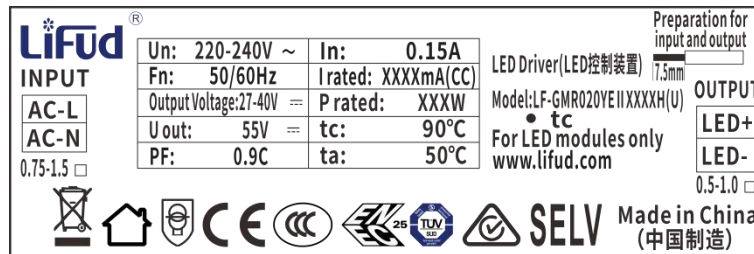
INPUT

Built-in Assembled Version	AC-L	AC live wire input
	AC-N	AC neutral wire input
	⊖ (on the casing)	Grounding terminal for the casing
External Assembled Version	AC-L	AC live wire input
	AC-N	AC neutral wire input
	⊖	Grounding terminal

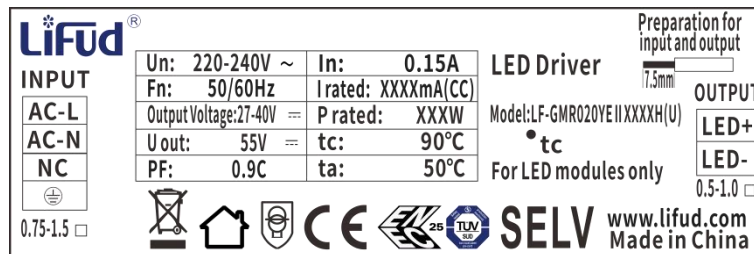
OUTPUT

LED+	the driver's positive electrode output
LED-	the driver's negative electrode output

Label

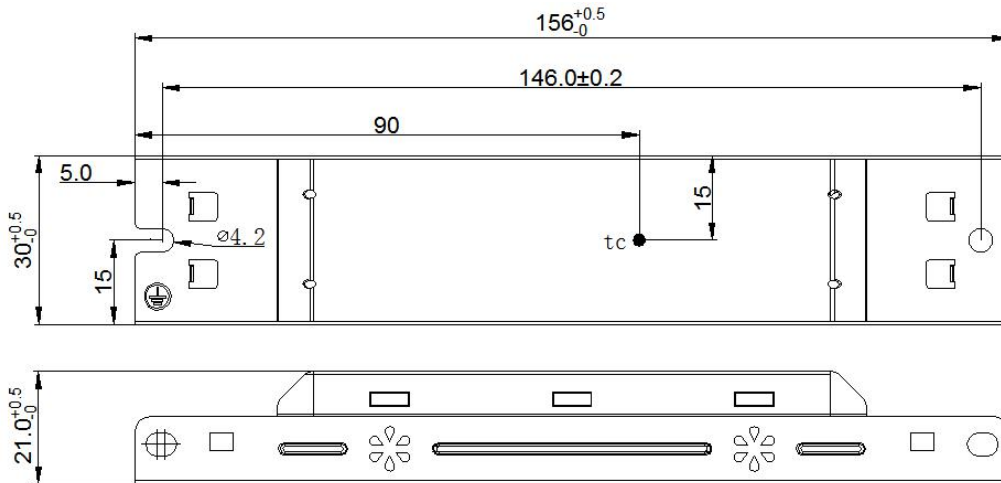


The built-in assembled version

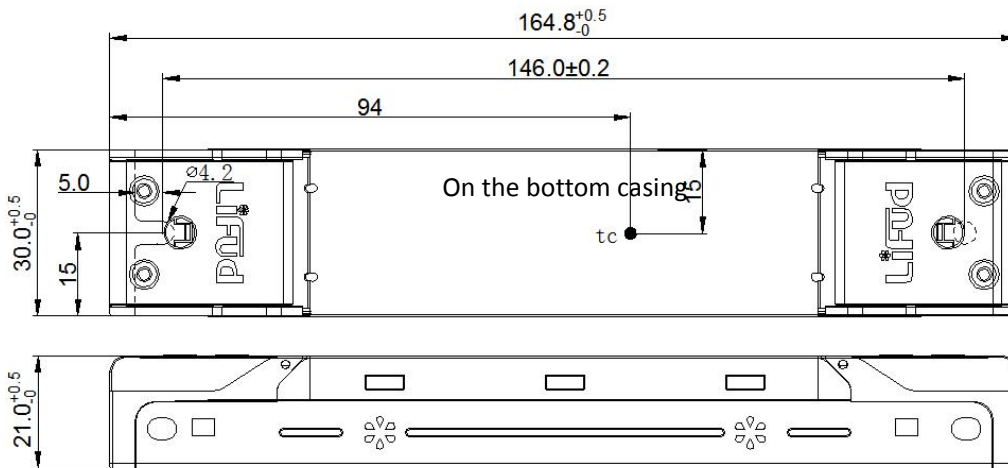


The external assembled version

Structure & Dimension (Unit: mm)



The built-in assembled version



The external assembled version

Package Specification

Model	LF-GMR020YEIIxxxxH(U)
Box Size	385*285*210 mm (L*W*H)
Quantity	12 pcs/layer; 6 layers/ctn; 72 pcs/ctn
Weight	0.106 kg/pc; 8.07 kg/ctn

Transportation & Storage

1. Transportation

Transportation means: vehicles, boats and aircraft.

During transportation, there should be awnings and sun protection. Civilized loading and unloading are required. There should be no severe vibration or impact.

2. Storage

Storage in accordance with the provisions of Class I environment. Products which have been stored for more than six months must be re-inspected. Use them only if they can pass the re-inspection.

Attention

- * Use this product according to the specifications, please. Otherwise there may be malfunction.
- * Use luminaires that have not been certified or are not compatible with the drivers may cause fire, explosion or other hazards.
- * Man-made damage is not covered by warranty.

Remark: The final interpretation right of the contents of this data sheet belongs to Lifud Technology Co., Ltd.

Change Resume

Version	Content of Change	Date	Remark
V1.0	Formal release	21 APR 2020	