

Data sheet

# Handset JCHT35K9



## Data sheet

# JCHT35K9

JCHT35K9 is a handset with modern design and combines classic appearance for intuitive practical use. It has a LED display for height read-out in either cm or inches. The display switches off when not in use for about 10 seconds thereby saving power in standby mode.

JCHT35K9 handset has four memory buttons so that it can clearly set the different heights you like.



---

### Features

- Up/down drive
- 4 Memory buttons
- USB Changer
- LED displays actual height
- Color: Black
- wire length 2000mm with 8-pin crystal plug

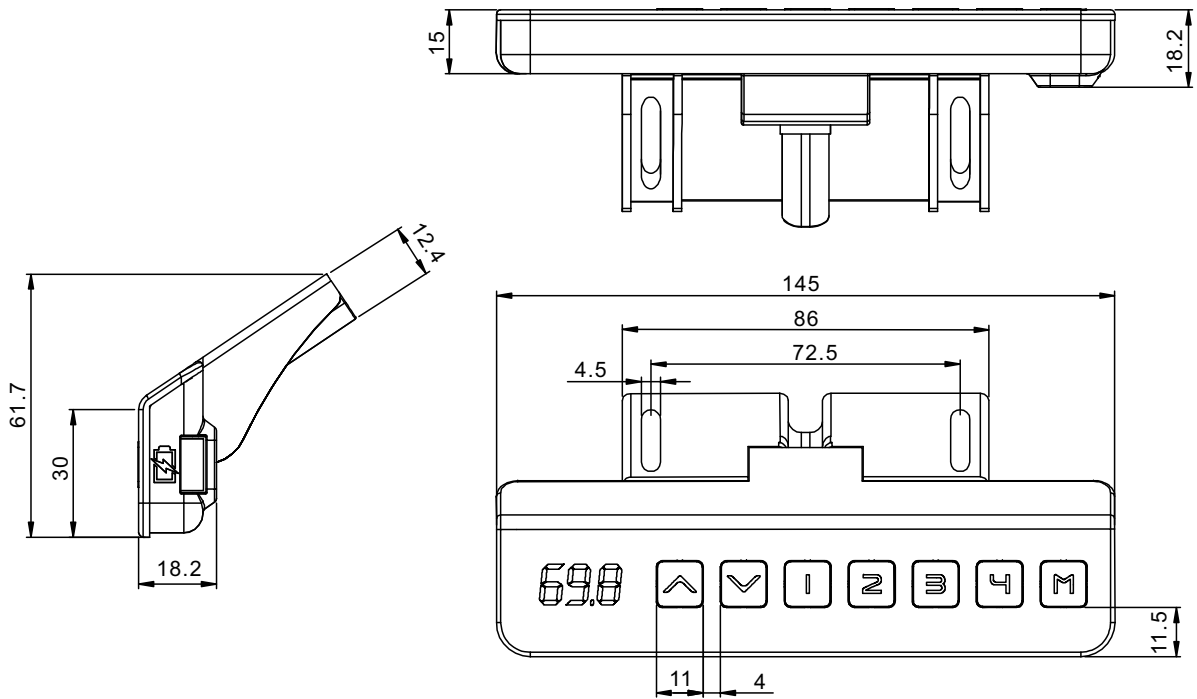
### Options

- Customized logo

### Usage

- Compatible control box: JCB35N1, JCB35N2, JCB35N3, JCB35N4
- Ambient temperature: Indoors ( +5°C to +40°C )

## Dimensions



## Ordering key

**JCHT35K - X - X - X - X - X - X**

