

WIN-KARE TECHNOLOGY CO.,LTD



IEC Connector EN60320 C14

0707-1 Series

Power Rating : 10A 250V AC European
15A 250V AC UL & CSA

Insulation Resistance : over 100M Ω 500V DC

Electric Strength : 2,000V AC for One Minute

Operating Temperature : -25°C to +70°C

Main Unit Material : Thermoplastic UL Flammability
94V-0 & Copper Alloy

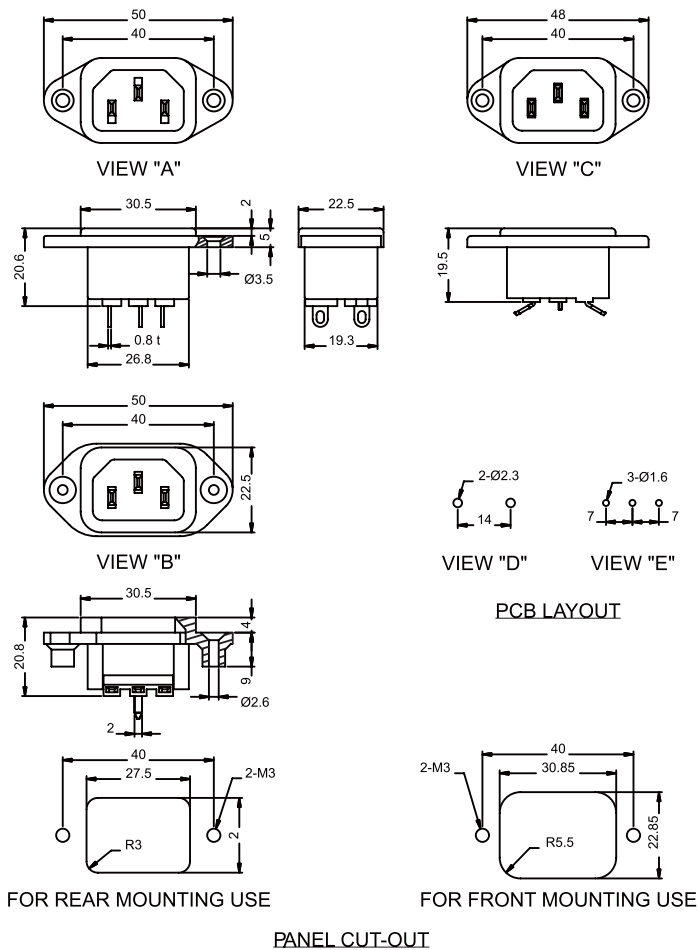
Unique Features : Ensure Free of

- Discontinuity
- Short Circuit on Rear Plane
- Hi-Pot Breaking
- Arcing



Power Inlet

Unit : mm



MODEL NO.	VIEW	TERMINAL OPTION
0707-1-CN	A	4.0 mm/SOLDER TAB
0707-1-CQ	A	4.8 mm Q.D./SOLDER TAB
0707-1-CS	A	2.5 mm/SOLDER TAB
0707-1-CW1	A	6.3 mm/Q.D. TAB
0707-1-CP	A	FOR PCB (VIEW "D") E-PIN SOLDER
0707-1-C7	B	FOR PCB (VIEW "E") E-PIN SOLDER
0707-1-CL2	C	L,N-PIN U TYPE



Tel:+86-755-2503073;Fax:+86-755-25003079

Http:\\www.win-kare.com; Mail:service@win-kare.com

