

## Features

- Light source: 3.6W Zenigata power LED
- Source life: More than 40,000 hours
- Low heat, no UV or IR light radiation
- Homogeneous and well defined illumination
- Highest Luminous Efficacy: 50 lm/watt for white color
- Optimized heat sink with the right looks and sleek design
- 4W version can achieve directional light output equal to 50W halogen lamp yet consume 80% less power
- Reverse polarity protection
- Safety Standard: **CE** and RoHS
- 1 year limited warranty (see page 6)
- Works with 110V or 220V AC lighting systems



## Typical Applications

- Landscape Accent/Spot lighting
- Architectural Lighting
- Display Case Accent
- Artwork Lighting
- Mood Lighting
- Amusement Park Accent

## PRODUCT SPECIFICATIONS

<b>LIGHT SOURCE</b>	1X3.6W Zenigata power LED
<b>OPTICS</b>	Optical grade PC collimator
<b>LENS DIAMETER</b>	33 mm
<b>BEAM ANGLE</b>	40° (Wide Spot)
<b>RENDERING INDEX (Ra)</b>	> 60 (for cool white color) > 70 (for warm white color)
<b>TOTAL LENGTH</b>	59 mm (including cap)
<b>WEIGHT</b>	50g
<b>HOUSING</b>	Machined pure aluminum with anodized silver finish, 5 cm (2") diameter
<b>BASE</b>	E27 screw base
<b>DIMMABILITY</b>	Not Dimmable

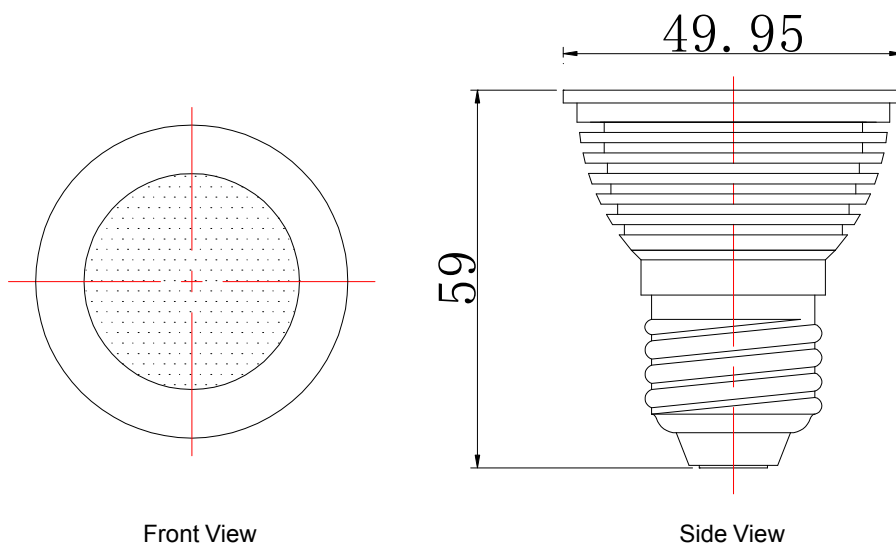
## ENVIRONMENTAL SPECIFICATIONS

<b>TEMPERATURE RANGE</b>	Ambient: -20°C to 40°C; Surface of Lamp: 40°C to 50°C
<b>HUMIDITY RANGE</b>	0 to 95% non-condensing humidity

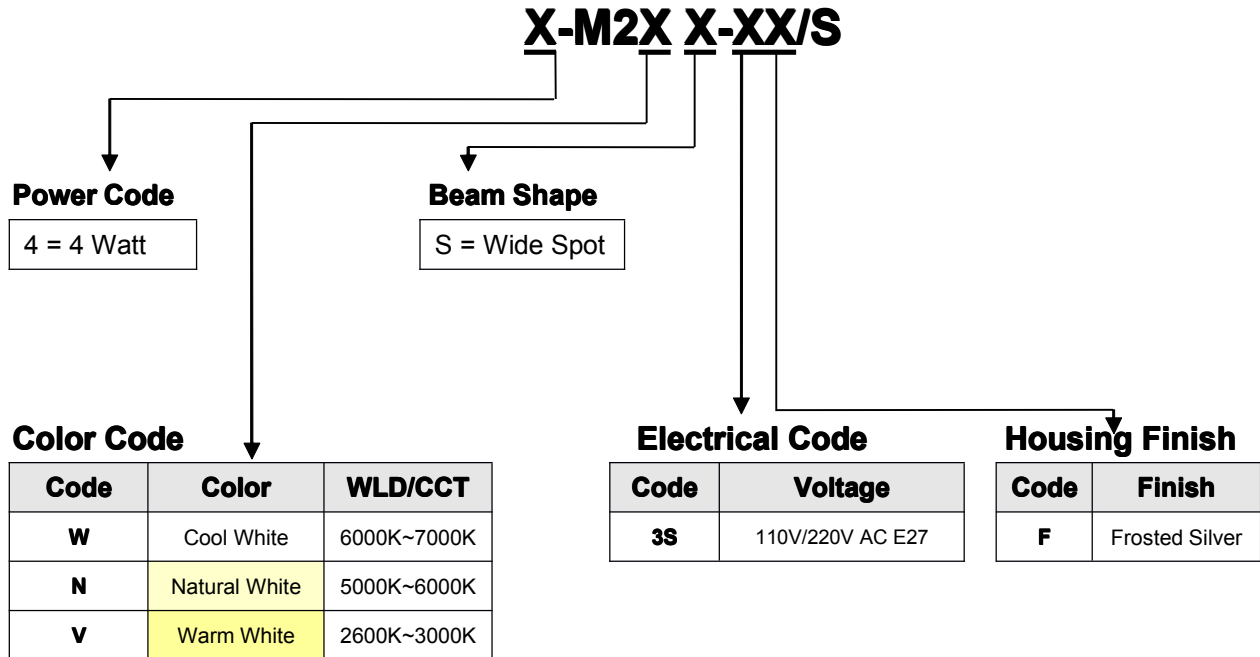
## ELECTRICAL SPECIFICATIONS

<b>VOLTAGE REQUIREMENT</b>	110V AC or 220V AC
<b>POWER CONSUMPTION</b>	≤ 4W
<b>POWER FACTOR</b>	≥ 0.6

## PRODUCT DIMENSIONS (mm)



## PRODUCT ORDERING CODE



### Wide Spot Model (40° Beam Angle)

ORDER CODE	Color	CCT (K)	Operating Voltage (V)	LED Power (W)	Typical Luminous Flux (lm)	Typical Illuminance @ 1m (Lux)	BEAM ANGLE
BT4-M2WS-3SF/S	Cool White	6000K~7000K	110V/220V AC	1X3,6W			40° ±2°
BT4-M2NS-3SF/S	Nat. White	5000K~6000K			190 lm	540	
BT4-M2VS-3SF/S	Warm White	2600K~3000K			150 lm	430	

### Typical Electrical Characteristics at T<sub>a</sub>=25°C (For 4W Model)

Parameter	Symbol	Min	Typ	Max	Unit
Input Voltage (110 VAC)	V <sub>AC</sub>	100	110	120	V
Input Voltage (220V AC)	V <sub>AC</sub>	200	220	240	V
LED Forward Current	I <sub>F</sub>	—	330	—	mA
Estimated Life <sup>[6]</sup>		—	40,000	—	Hours
Optimized Body Temperature (3.6W LED)	T	—	57	60	°C

## Illumination Characteristics( $T_a=25^{\circ}\text{C}$ )

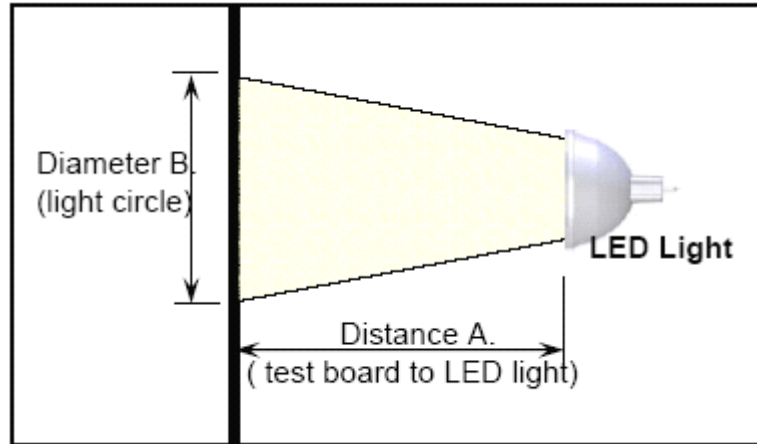


Fig 1. Set up for Illuminance Measurement

### 4W Wide Spot Model (40° Beam Angle)

Distance		4W Typical Illuminance Measured at Center of Beam (Lux)		
Dist A (cm)	Dia. B (cm)	Cool White	Nat. White	Warm White
50	30		2200	1800
<b>100</b>	<b>60</b>		<b>540</b>	<b>430</b>
150	90		220	190
200	120		140	110

Notes: Center beam lux is measured with Digital Lux Meter (Model TES-1334A)

Note: All LED E27 lamps are burnt in for 72 hours before every order shipment

PACKAGING SPECIFICATIONS

