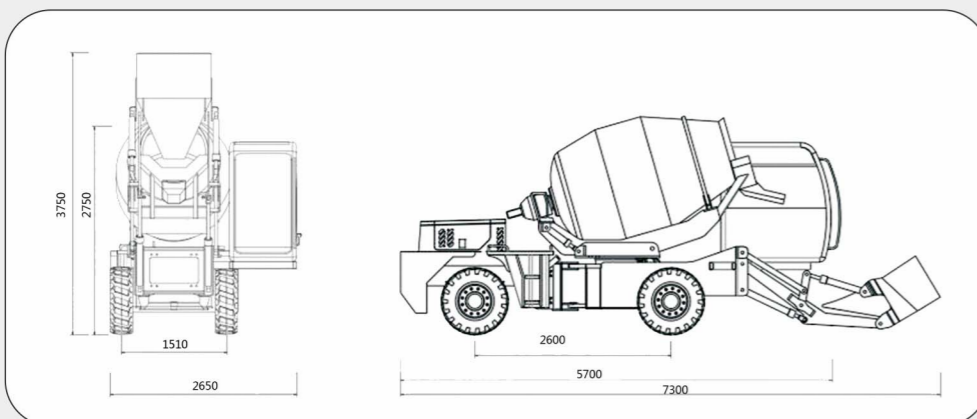




**CMT1800R**

**Self Loading Concrete Mixer**

**1.8m<sup>3</sup>, 270°**



Main Technical Parameter			
Concrete Output	1800 L/batch	Productivity	5 batch/hour, 9 m <sup>3</sup> /h
Total Drum Capacity	2700 L	Engine Power	77.3 kW
Front Shovel Capacity	500 L	Engine Type	YUCHAI, 4102, Turbo-charged
Water Tank Capacity	2x200 L	Drive Type	4x4
Max. Drum Slewing Angle	270°	Transmission	Automatic, 4 F+4R Shift
Gradeability	35°	Tyre Size	20.5/70-16
Wheelbase	2600 mm	Tyre Number	4 PCS
Tread	1510 mm	Operating Weight	5600 kg
Mini. Turn Radius	4900 mm	Overall Size	7300 x2650x2750 mm

**Standard Accessories**

- Four-Wheel Drive
- 270° Slewing Drum
- Electric Fan inside Cab
- Electric Water Pump

**Optional Accessories**

- Engine: DONGFENG CUMMINS(4BTA3.9-C100,75kW)
- Six Tyres in One Mixer, with Four Tyres in Front
- Electronic Weighing System
- Centralized Lubricating System
- High Pressure Washing Gun
- Hydraulic Water Pump
- Air-conditioner inside Cab
- Cement Hopper
- Vibrator on Bucket
- Prolonged Chute

