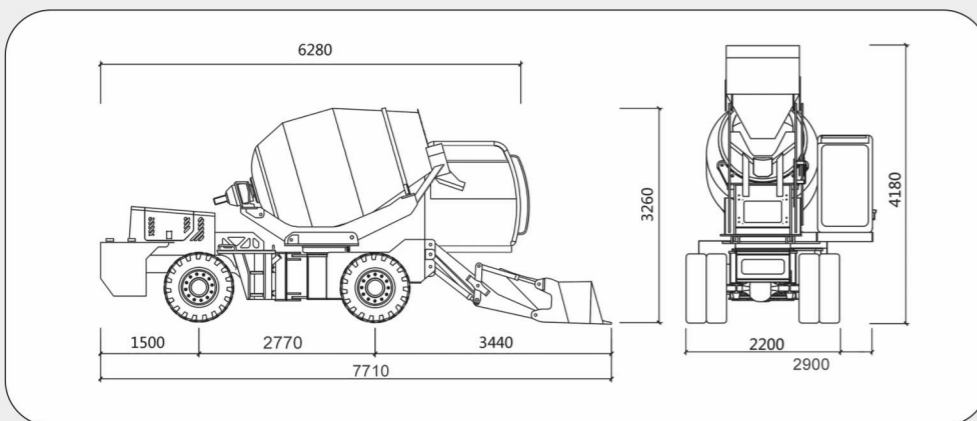




CMT3500RW

Self Loading Concrete Mixer

3.5m³, 270°



Main Technical Parameter			
Concrete Output	3500 L/batch	Productivity	4 batch/hour, 14m ³ / h
Total Drum Capacity	5200 L	Engine Power	85 kW
Front Shovel Capacity	600 L	Engine Type	YUCHAI, 4105, Turbo-charged
Water Tank Capacity	2x310 L	Drive Type	4x4
Max.Drum Slewing Angle	270°	Transmission	Automatic, 4 F+4R Shift
Gradeability	40°	Tyre Size	12R22.5
Wheelbase	2770 mm	Tyre Number	6 PCS
Tread	1700 mm	Operating Weight	8300 kg
Mini. Turn Radius	5300 mm	Overall Size	7710 x2900x3300 mm

Standard Accessories

- Cab and Drum Slew Together
- 270° Slewing Drum
- Four-Wheel Drive
- Air Conditioner inside Cab
- Hydraulic Water Pump

Optional Accessories

- Engine: DONGFENG CUMMINS(4BTA3.9-C125,93kW)
- Electronic Weighing System
- Centralized Lubricating System
- High Pressure Washing Gun
- Vibrator on Bucket
- Cement Hopper
- Prolonged Chute

