

Condensing pot

Model : A060

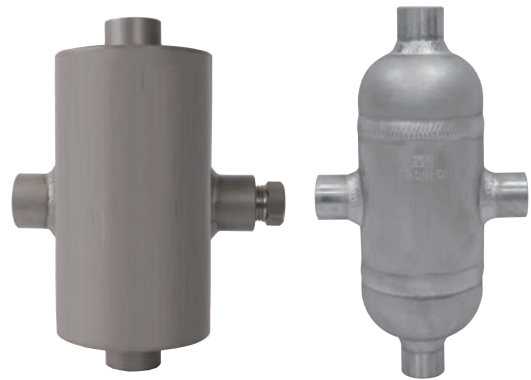
Spec. sheet no. AD00-06

Service intended

It is used for protecting the pressure instruments from the effect of hot process media like steam. It is used for the same purpose as Syphon tube, and mainly, it can be used with pressure transmitter or differential pressure transmitter.

Standard features

Max. working pressure
Stainless steel : Up to 10 MPa at 20 °C
(Only available with globe type)



Flat type

Globe type

※ This product's Max. working temperature could be varied depending on its working pressure and temperature.

Main order

1. Base model

A060 Condensing pot

2. Pot type

- A** Flat type
- B** Globe A
- C** Globe B

3. Material

- B** Carbon steel
- C** 304SS
- D** 316SS
- F** 316L SS
- Z** Other

4. Gauge connection size

- 2** 1/2"
- 3** 3/4"
- 9** Other

5. Gauge connection type

- B** PT (F)
- C** NPT (F)
- M** S.W (F)
- Z** Other

Ordering information

6. Process connection size

- D** 1/2"
- E** 3/4"
- Z** Other

7. Process connection type

- B** PT (F)
- C** NPT (F)
- M** S.W (F)
- Z** Other

8. Shapes designator type

- X** Refer to connection type

9. Pipe schedule

- 1** 3" Sch 40
- 2** 3" Sch 80
- 3** 3" Sch 160
- Z** Other

10. Unused character

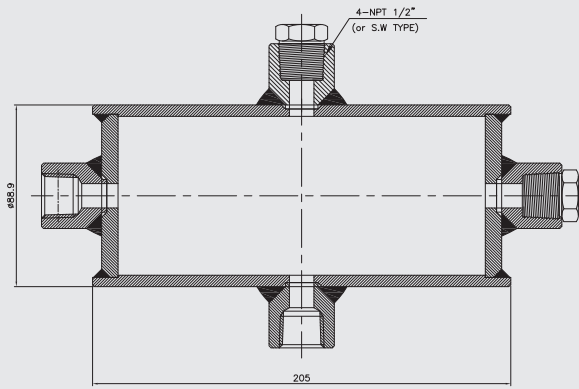
- A00** None

1	2	3	4	5	6	7	8	9	10
A060	A	B	2	B	D	B	X	2	A00

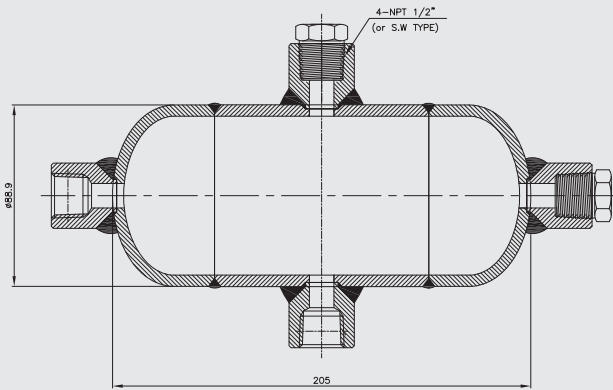
Sample ordering code

WISE[®]

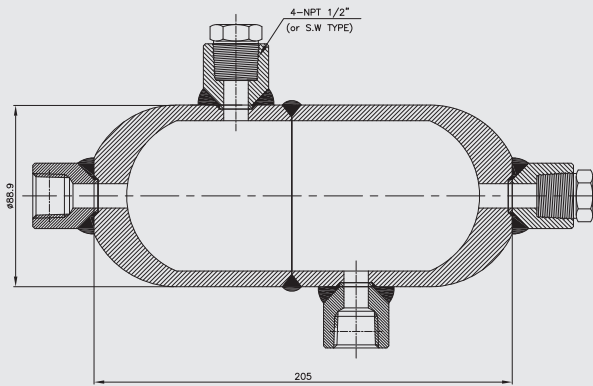
A060 : Type of mounting



A. Flat type



B. Globe type A



C. Globe type B

Shapes designator type

	TYPE - A
	TYPE - B
	TYPE - C
	TYPE - D
	TYPE - E
	TYPE - F

Size	MATERIAL					
3" SCH.40						
3" SCH.80	304SS	316SS	316LSS	C.S	A182 F91	A182 F11
3" SCH.160						