

# Instrument valve

## Model : A080

Spec. sheet no. AD00-08

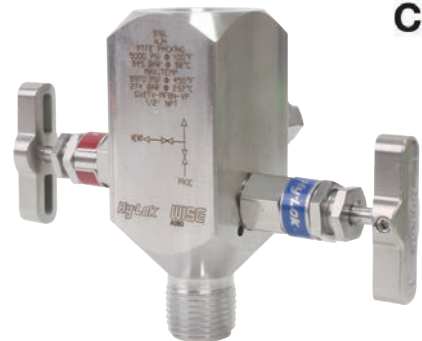
### Service intended

It is used for switching flow between one common connection and the other two connections. It can be used with pressure gauge and pressure transmitter.

### Standard features

Max. static pressure up to 41 MPa  
 Max. working temperature : 232 °C  
 Packing : PTFE (-54 ~ 232 °C)  
 Graphite : -54 ~ 648 °C

※ This product's Max. working temperature could be varied depending on its working pressure and temperature.



**CRN**

## Main order

## Ordering information

### 1. Base model

**A080** Instrument valve

### 2. Valve type

- S** Isolation valve
- V** 2-way manifold valve mount type
- W** 2 way manifold valve

### 3. Gauge connection type

- W** NPT (F)
- M** NPT (M)
- Z** Other

### 4. Gauge connection size

- 2** ¼"
- 4** ½"
- 5** ¾"
- 9** Other

### 5. Process connection type

- W** NPT (F)
- M** NPT (M)
- Z** Other

### 6. Process connection size

- 2** ¼"
- 4** ½"
- 5** ¾"
- 9** Other

### 7. Packing material

- T** PTFE
- G** Graphite
- Z** Other

### 8. Bleed and plug

- A** None
- B** Bleed
- C** Bleed with plug
- 9** Other

### 9. Bleed and plug size

- 1** ¼" NPT (F)
- 2** ½" NPT (F)
- 3** No bleed
- Z** Other

### 10. Material

- |                      |                  |
|----------------------|------------------|
| <b>B</b> Hastelloy-C | <b>J</b> Monel   |
| <b>H</b> 316SS       | <b>Z</b> Inconel |
| <b>L</b> 316L SS     | <b>T</b> Other   |

### 11. Unused character

- X** All T bar

### 12. Unused character

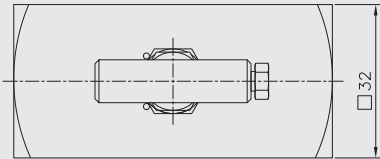
- 1** None

Sample ordering code											
1	2	3	4	5	6	7	8	9	10	11	12
A080	S	W	2	W	2	T	A	1	B	X	1

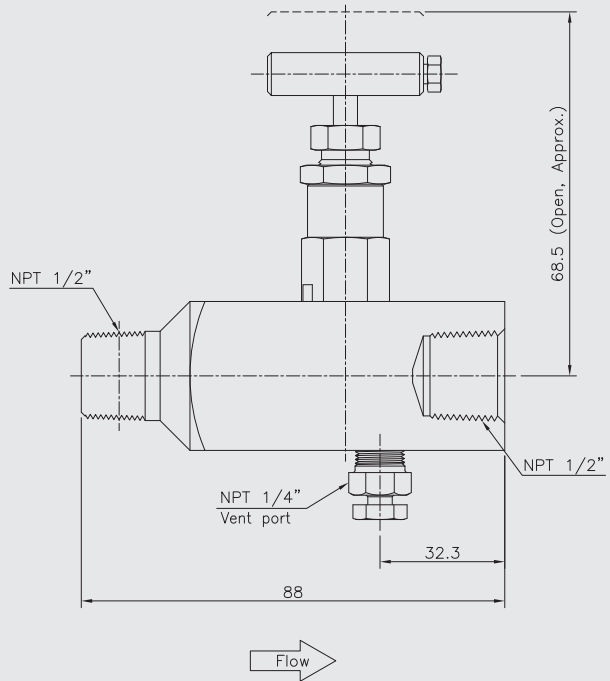
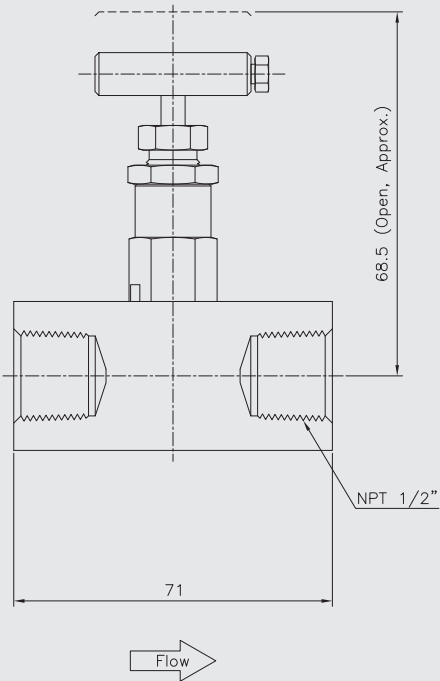
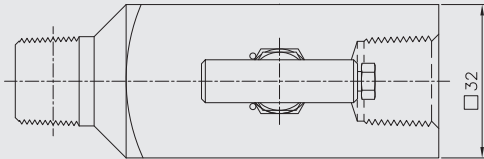
**WISE®**

# A080 : Type of mounting (1/2)

Code S

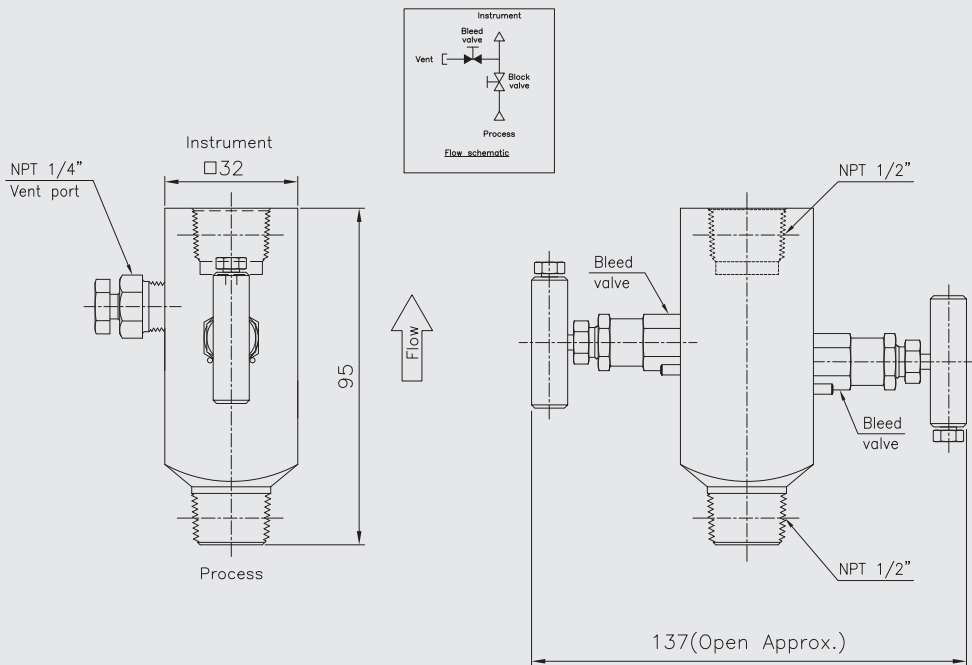


Code S

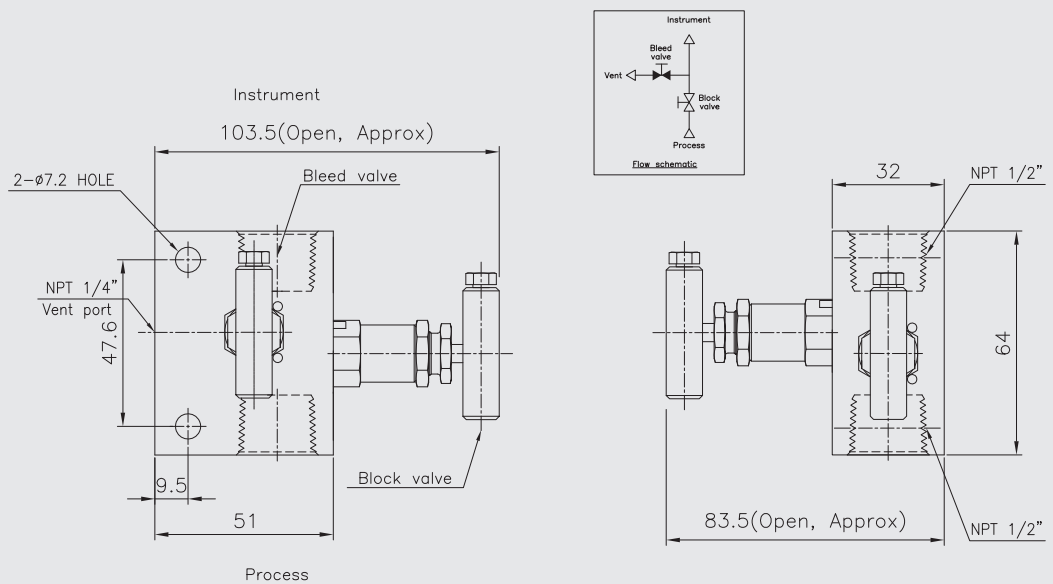


## A080 : Type of mounting (2/2)

Code W



Code V



A large empty rectangular box with a thin black border, intended for writing a memo.