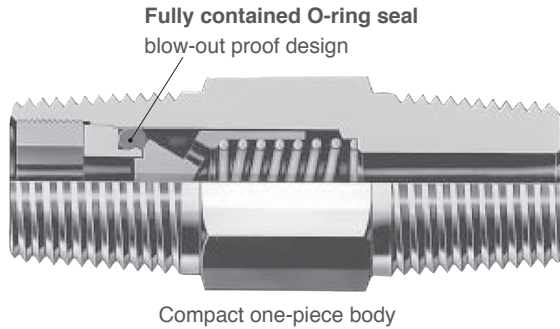


SCP30 Series Compact One Piece Check Valves



Features

- Pressure rating up to 3,000psig (206bar)@70°F(21°C).
- Temperature rating up to 375°F(191°C) with Standard Viton O-ring.
- Choice of materials : Standard S316 and Brass.
- Cracking pressures include : 1/3, 1, 3, 10, 25, 50psi.
- Heat code traceability.
- Every valve is 100% factory tested for cracking and reseal.

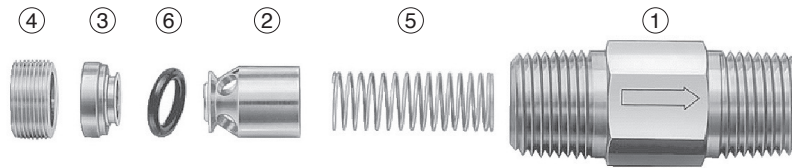
Spring Cracking, Reseal and Back Pressure at @70°F(21°C)

| Spring Nominal Cracking Pressure | | Applied Working Pressures—psig(bar) | | | | Reseal Pressure | |
|----------------------------------|------|-------------------------------------|------|---------------|------|-----------------|------|
| | | Min. Pressure | | Max. Pressure | | | |
| psig | bar | psig | bar | psig | bar | psig | bar |
| 1/3 | 0.02 | 0 | 0 | 3 | 0.21 | up to 6 | 0.41 |
| | | | | | | Back pressure | |
| 1 | 0.07 | 0 | 0 | 4 | 0.28 | up to 5 | 0.34 |
| | | | | | | Back pressure | |
| 10 | 0.69 | 7 | 0.48 | 15 | 1.03 | 3 | 0.21 |
| 25 | 1.72 | 20 | 1.38 | 30 | 2.07 | 17 | 1.17 |

Materials of Construction

| Item | Description | Valve Body Materials | |
|------|---------------|----------------------|-------|
| | | S316 | Brass |
| 1 | Body | S316 /A276,A479 | Brass |
| 2 | Poppet | | |
| 3 | Insert | | |
| 4 | Locking Screw | | |
| 5 | Spring | S302/A313 | |
| 6 | O-ring | Viton | NBR |

* Silicone-based Lubricant for poppet.



Ordering Information and Dimensions

| Basic Ordering Number | | Cv | End Connections | | | Dimensions mm(inch) | |
|-----------------------|-------|------|-------------------|----------|------------|---------------------|-------------|
| | | | Size | Inlet | Outlet | L | H |
| SCP1 | M-4N | 0.35 | 1/4" | Male NPT | | 41.1(1.62) | 14.28(9/16) |
| | M-4R | | Male ISO | | | | |
| | F-4N | | Female NPT | | 61.2(2.41) | | |
| | F-4R | | Female ISO | | 64.5(2.54) | | |
| | MF-4N | | Male / female NPT | | 44.4(1.75) | | |
| | FM-4N | | Female / male NPT | | 58.2(2.29) | | |
| SCP2 | M-8N | 1.20 | 1/2" | Male NPT | | 57.9(2.28) | 22.22(7/8) |
| | F-8N | | Female NPT | | 94.2(3.71) | 26.98(1-1/16) | |
| | MF-8N | | Male / female NPT | | 71.9(2.83) | | |

All dimensions shown are for reference only and are subject to change.