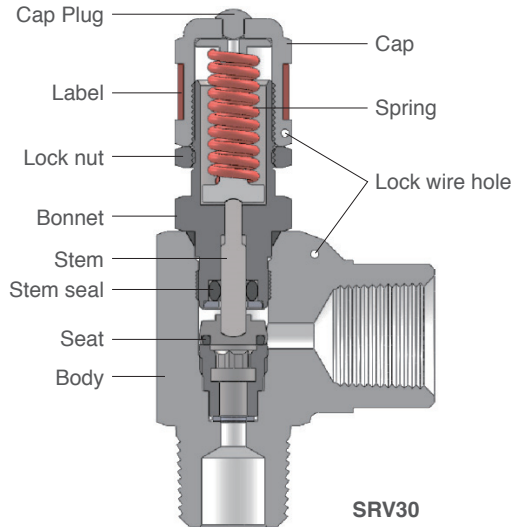


SRV Series Relief Valves

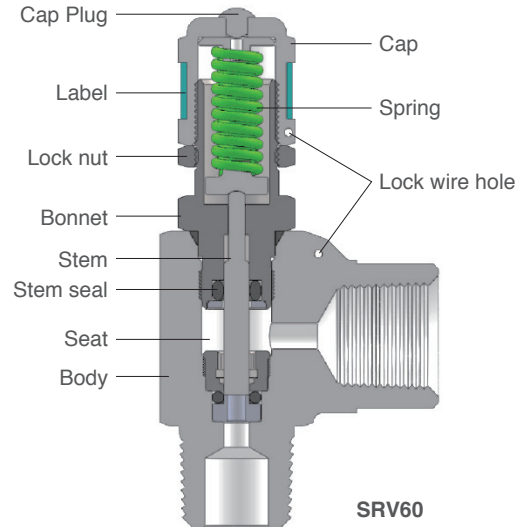
Low Pressure Relief Valve – SRV30

- Max. Working Pressure : 300 psi (21 bar)
- Cracking Pressure Range : 10 to 250psi(0.68 to 17.2bar)
- Orifice : 0.19 in. (4.8 mm)



High Pressure Relief Valve – SRV60

- Max. Working Pressure : 6000 psi (413 bar)
- Cracking Pressure Range : 50 to 6000 psi(3.4 to 413 bar)
- Orifice : 0.14 in. (3.6 mm)



Materials of Construction

Component	Material
Plug	Polypropylene
Cap	SS316 / A276
Bonnet	SS316 / A276
Stem	SS316 / A276
Poppet	SS316 / A276
Seal	FKM (Standard)
Body	SS316 / A182

Applications

SRV series relief valves gradually open as pressure increases. SRV series relief valves have not certified to ASME or any other codes.

Operation

SRV series relief valves open when the system pressure reaches the cracking pressure and close when the system pressure falls below the cracking pressure.

Cracking Pressure

Cracking pressure range of each valve after initial relief. (whichever is greater)

- Below 60°F (15°C) : ± 6 psi (0.4bar) or ± 20 %
- 60 to 80°F (15 to 26°C) : ± 3 psi (0.2bar) or ± 5 %
- Above 80°F (26°C) : ± 6 psi (0.4bar) or ± 20 %

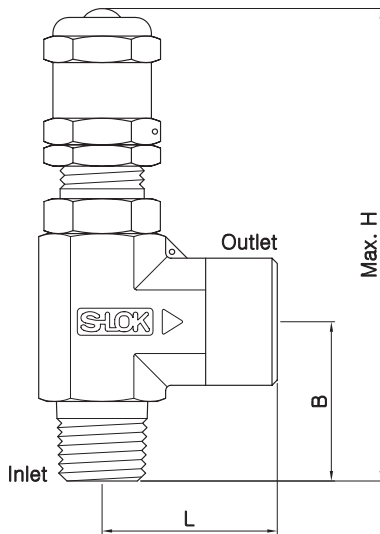
Pressure – Temperature Ratings

Ratings are limited depending on the material. Valves are standard with FKM Seat and Seal.

Temperature, °F (°C)	Max. Cracking Pressure, psi (bar)	
	SRV30	SRV60
-40 (-40) to 70 (20)	250 (17.2)	6000 (413)
150 (65)	250 (17.2)	5580 (384)
200 (93)	250 (17.2)	5160 (355)
250 (121)	250 (17.2)	4910 (338)
275 (135)	250 (17.2)	-
300 (148)	250 (17.2)	-

Seal Material	Designator	Temperature, °F (°C)	
		SRV30	SRV60
FKM	VT	10 ~ 275 (-12 ~ 135)	25 ~ 250 (-4 ~ 121)
NBR	NBR	-10 ~ 300 (-23 ~ 148)	0 ~ 250 (-17 ~ 121)
EPDM	EP	-40 ~ 300 (-40 ~ 148)	30 ~ 250 (-1 ~ 121)

Ordering Information and Dimension



SRV Series Spring

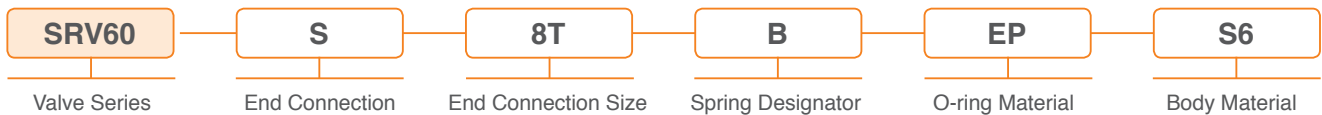
Designator	Cracking Pressure Range		Color
	psi	bar	
SRV30 series spring			
L	10 to 250	0.68 to 17.2	Red
SRV60 series spring			
A	50 to 350	3.4 to 24.1	White
B	350 to 750	24.1 to 51.7	Blue
C	750 to 1500	51.7 to 103	Clear
D	1500 to 2250	103 to 155	Black
E	2250 to 3000	155 to 206	Green
F	3000 to 4000	206 to 275	Yellow
G	4000 to 5000	275 to 344	Brown
H	5000 to 6000	344 to 413	Orange

Basic Ordering NO.	End Connection		Dimensions mm (in.)			
	Inlet / Outlet	Size	H	B	L	
SRV30 or SRV60	S-4T	S-LOK	1/4"	100 (3.93)	37 (1.45)	39
	S-8T	S-LOK	1/2"	105 (4.13)	44 (1.73)	42 (1.65)
	S-6M	S-LOK	6mm	100 (3.93)	38 (1.49)	40 (1.57)
	S-8M	S-LOK	8mm	100 (3.93)	38 (1.49)	40 (1.57)
	S-12M	S-LOK	12mm	105 (4.13)	44 (1.73)	42 (1.65)
SRV60	MS-8N8T	Male NPT / S-LOK	1/2"	98 (3.85)	36 (1.41)	42 (1.65)
	MS-8N12M	Male NPT / S-LOK	1/2" / 12mm	98 (3.85)	36 (1.41)	42 (1.65)
	MF-4N	Male / Female NPT	1/4"	94 (3.70)	32 (1.25)	30 (1.18)
	MF-6N	Male / Female NPT	3/8"	94 (3.70)	32 (1.25)	35 (1.37)
	MF-8N	Male / Female NPT	1/2"	98 (3.85)	36 (1.41)	38 (1.49)

* Dimensions are for reference only and are subject to change. Dimensions shown with S-LOK nuts finger-tight position.

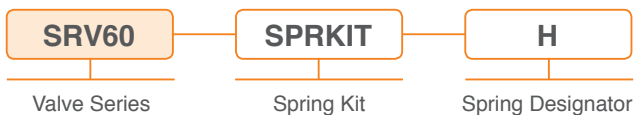
Relief Valve - SRV Series

• The valve contains a spring, and the set pressure must be adjusted. It is possible to supply after setting pressure to desired pressure.



Spring Kit

• Spring kits include spring, label, lock wire with lead seal and replacement instruction



Seal Kit

• Seal kits include poppet, bonnet assembly and replacement instruction

