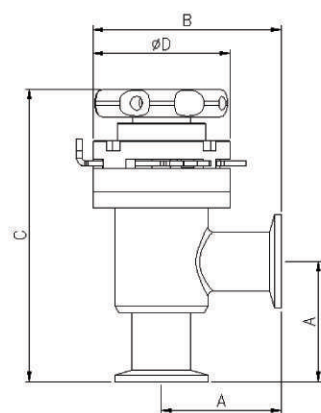


# NW25 Close Lock Valve

## Manual

Special NW25 manual anlje valve  
NW25 Close lock valve



## Specification

Connection type	NW25KF flange					
Materials	Valve body : STS 304 (Electropolishing) Drive seal : Welded Bellows STS AM350 Seat seal : Viton o-ring (FKM)					
Operation port size	None					
Air pressure	None					
Differential pressure	Maximum 1 bar across valve seat					
Leak rate	$\geq 5.0 \times 10^{-8}$ mbar/sec he					
Maximum temperature	Vacuum side : Continuous use MAX. $\leq 150^\circ\text{C}$ Instantaneous use MAX. $\leq 200^\circ\text{C}$ The actual operating temperature : $\leq 60^\circ\text{C}$					
Position sensor	N/A					
Option	Configure to order					
Durability	200,000 times 1 year warranty					
Model no.	Port OD	Wheel size ØOD	A mm	B mm	C mm	ØD mm
WVL-KFF025-MA-5	1"	58	51.6	81.1	125.6	59