

# Euro gauge

## Safety pattern type overpressure protection pressure gauge

### Model : P256 series

Spec. sheet no. PD02-11

#### Service intended

P256 series are made with a solid plate wall and a blow-out back. Its stainless steel case and cover have a good appearance. It has the excellent proof against corrosion and chemical attack.

Suitable for protection against damage to the measuring element when high overpressure is applied to the gauge instantaneously.

Max overpressure is up to 4 times of measuring range.

EAC

#### Nominal diameter

100 and 160 mm

#### Accuracy

±1.0 % of measuring range

#### Scale range (MPa, kPa, bar)

-0.1 ~ 0 to 0 ~ 4 MPa

#### Working pressure

Steady : 100 % of full scale

Over range protection : 4 times the measuring range

#### Working temperature

Ambient : -40 ~ 65 °C

-20 ~ 65 °C (With glycerin filling)

-40 ~ 65 °C (With silicone filling)

Fluid : Max. 200 °C

Max. 100 °C (With glycerin filling)

Max. 100 °C (With silicone filling)



#### Degree of protection

EN60529/IEC529/IP67

#### Temperature effect

Accuracy at temperature above and below the reference temperature (20 °C) will be effected by approximately ±0.4 % per 10 °C of full scale

\* NOTE : P256 series is not applied with diaphragm seal.

### Standard features

#### Pressure connection

Stainless steel (316SS)

#### Element

Stainless steel (316SS)

#### Case

Stainless steel (304SS)

#### Cover

Stainless steel (304SS)

Bayonet type

#### Blowout protection

Solid front

Blow-out back

#### Window

Laminated safety glass

#### Movement

Stainless steel

#### Dial

White aluminium with black graduations  
overpressure range indicated by a black sector

#### Pointer

Black painted aluminium alloy

#### Process connection

½", ¾" PT, NPT and PF

#### Option

Zero adjustable pointer

Pressure connection and element : Monel

Case and cover material : 316SS

**WISE**<sup>®</sup>

**1. Base model**

**P256** Safety pattern type overpressure protection pressure gauge

**2. Nominal diameter (mm)**

4 100  
6 160

**3. Type of mounting**

A Bottom connection, direct  
C Bottom connection, surface, cover mounting plate

**4. Accuracy**

3 ±1.0 % of full scale

**5. Process connection**

D  $\frac{3}{8}$ "  
E  $\frac{1}{2}$ "

**6. Connection type**

B PF  
C PT  
D NPT  
F BSPT  
G BSP(G)

**7. Unit**

H bar  
I MPa  
J kPa  
Z Other

**8. Range**

**XXX** Refer to pressure unit and range table

**9. Pressure connection material and dial color**

3 316SS and 2 colors  
4 316L SS and 2 colors  
7 316SS and 3 colors  
8 316L SS and 3 colors  
Z Monel

**10. Option**

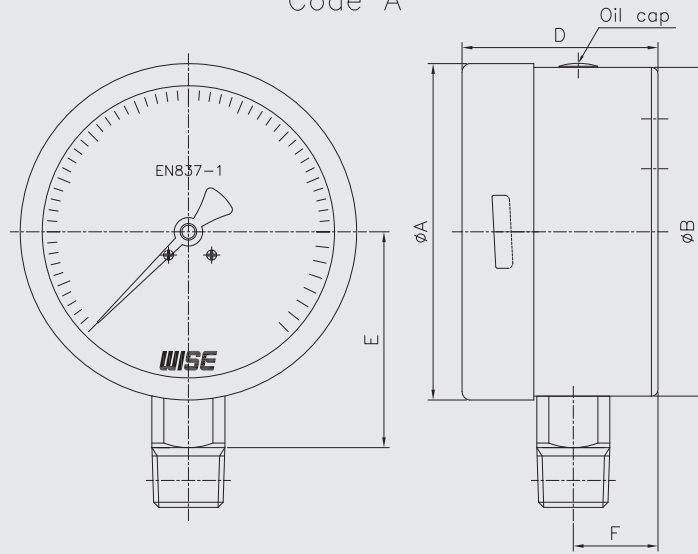
0 None  
1 Accessories  
8 Silicone filling  
9 Glycerin filling

1	2	3	4	5	6	7	8	9	10
P256	4	A	3	D	B	H	XXX	3	0

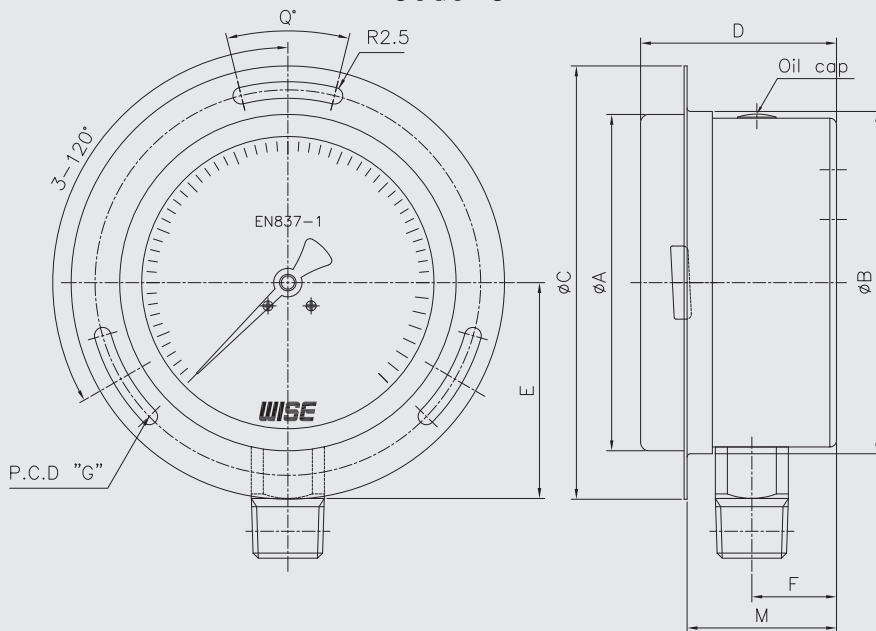
Sample  
ordering code

## P256 : Type of mounting

Code A



Code C



Dimensions (mm)

Dial size	Available code	A	B	C	$D \pm 2$	$E \pm 2$	$F \pm 1$	G	M	Q
100	A	101.3	99		59	65	25.5			
	C	101.3	103.1	130.5	59	65	25.5	116	45	28
160	A	160.8	159.6		62	90	25.6			
	C	160.8	164	196	62	90	25.6	178	57	18

## Pressure unit and range table

Range and code	Measuring range	Overpressure range
	H : bar	H : bar
026	-1 ~ 0	3
131	0 ~ 0.6	2.5
041	0 ~ 1	4
133	0 ~ 1.6	6
042	0 ~ 2	8
134	0 ~ 2.5	10
044	0 ~ 4	16
045	0 ~ 6	24
047	0 ~ 10	40
050	0 ~ 15	60
051	0 ~ 20	80
052	0 ~ 25	80
051	0 ~ 35	100
052	0 ~ 40	100