



Do not apply any voltages until the system has been checked by a qualified technician.

Não aplique nenhuma voltagem até que o sistema tenha sido verificado por um técnico qualificado.



F-26282

No aplique ningún voltaje si el sistema no ha sido revisado por un técnico calificado.

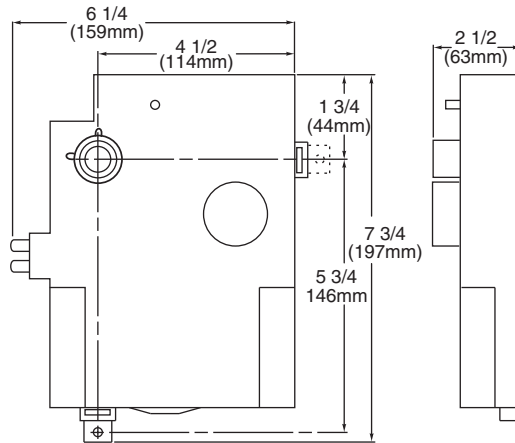
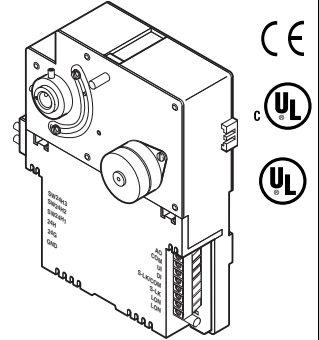
숙련된 기술자의 체크가 없는 본 시스템에 전압을 가하지 마십시오.

Ne pas mettre le système sous tension tant qu'un technicien qualifié ne l'a pas inspecté.

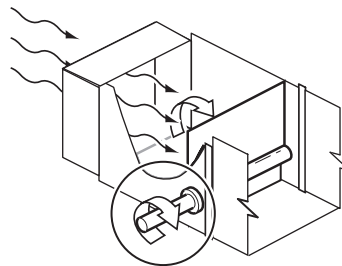
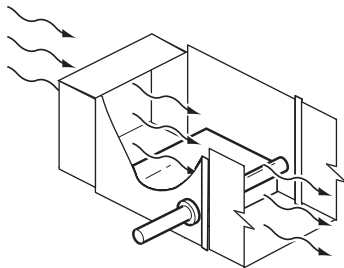
在本系統未經合格技術人員檢查之前請勿施加任何電壓

適確な技術者の確認を得るまでは、絶対に電源を入れないで下さい。

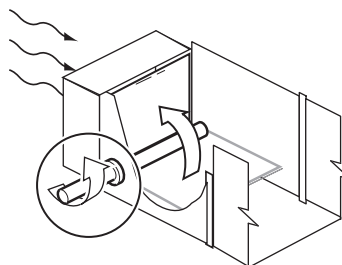
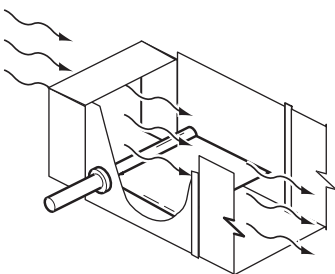
在本系統未經合格技術人員檢查之前請勿施加任何電壓



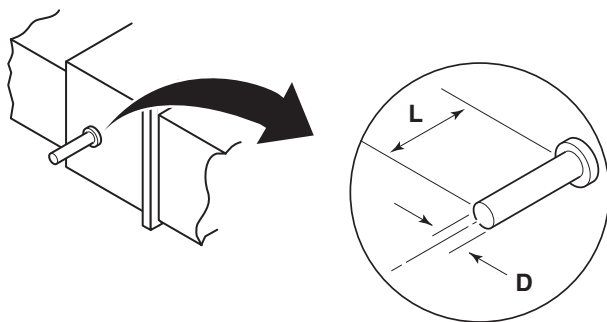
①



②



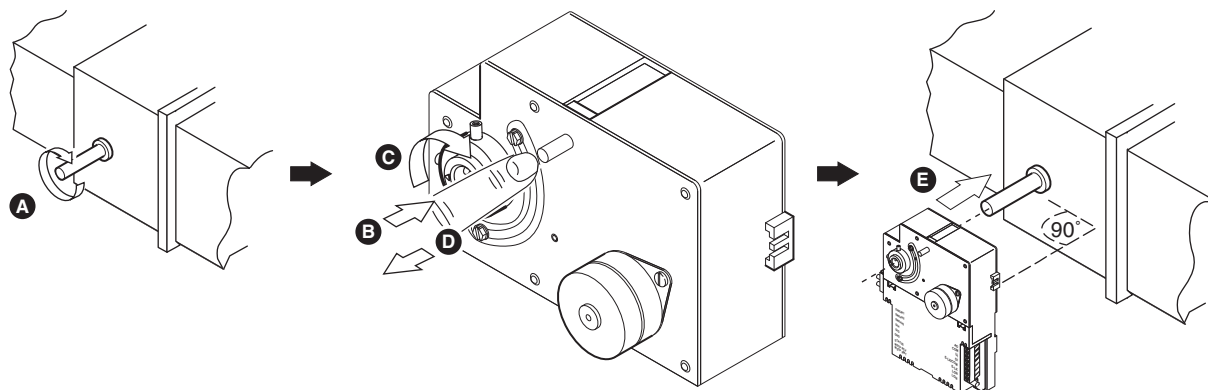
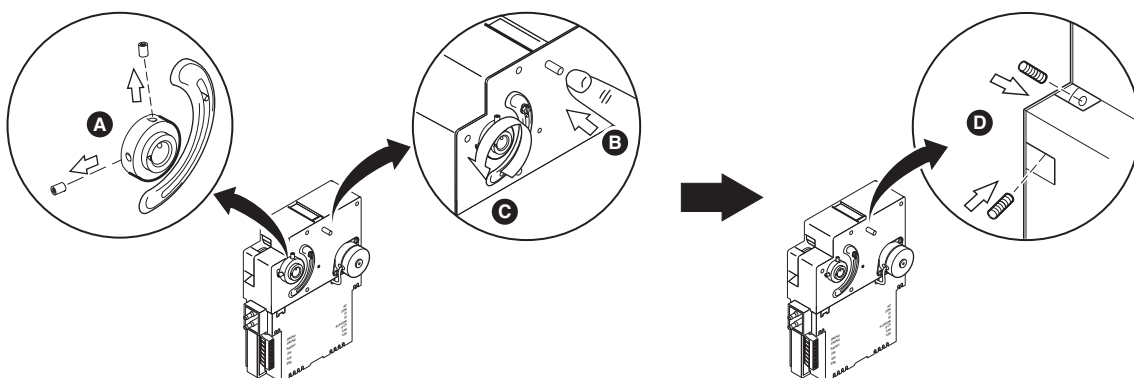
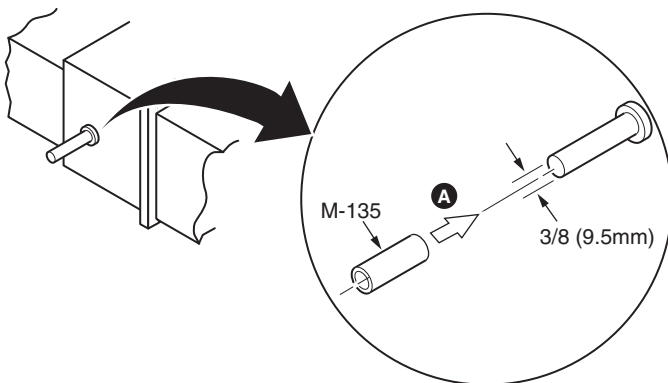
2

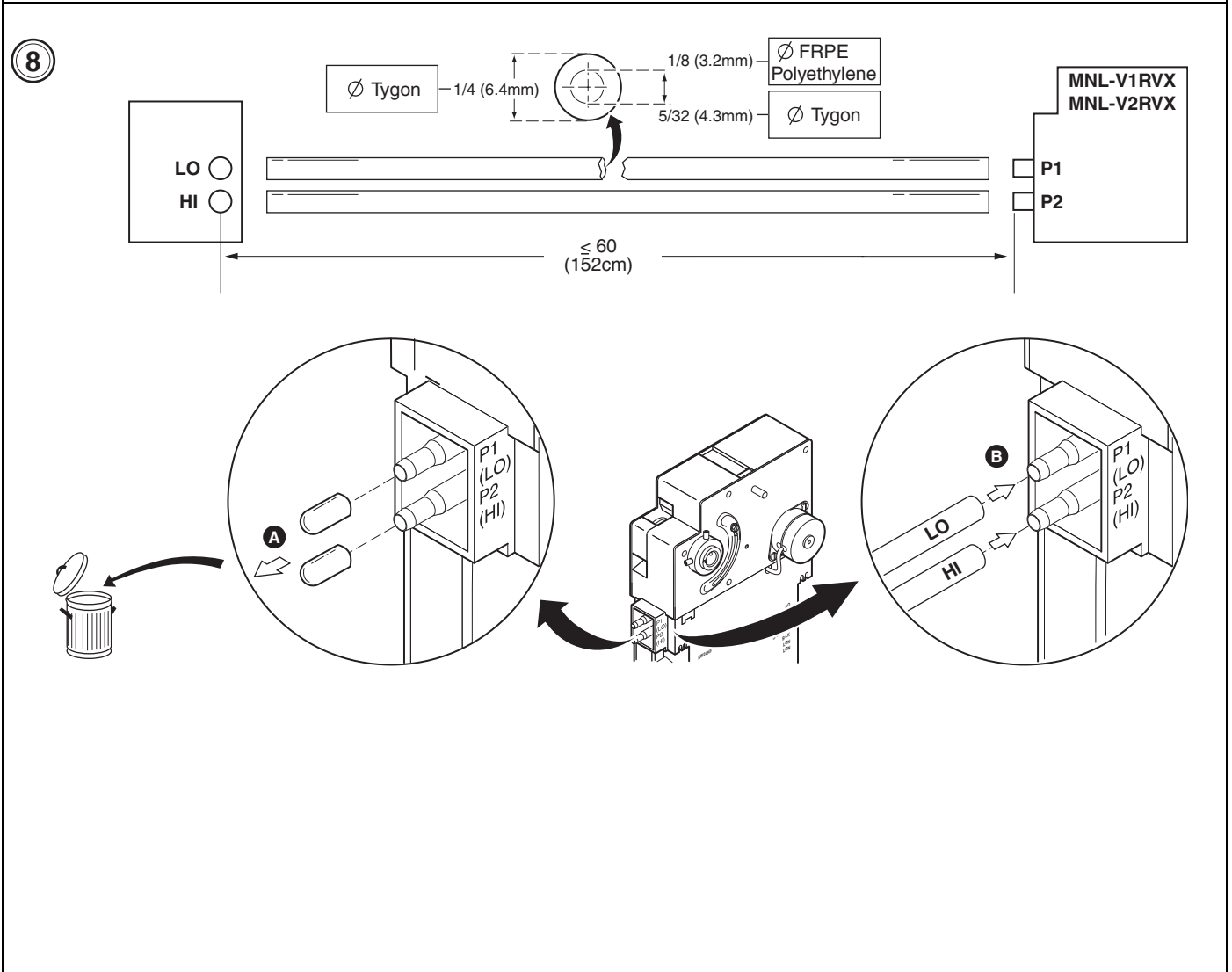
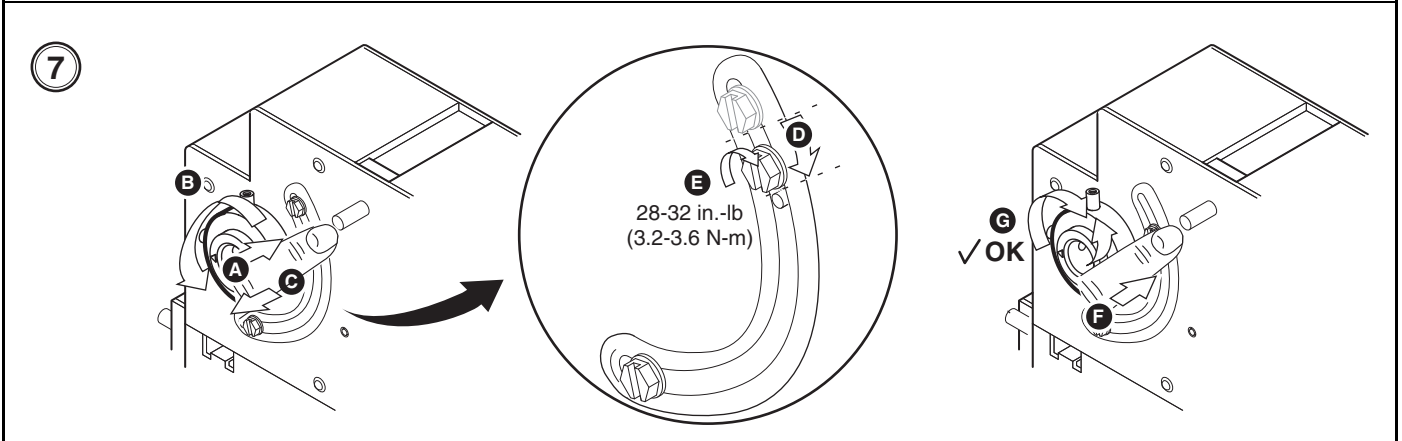
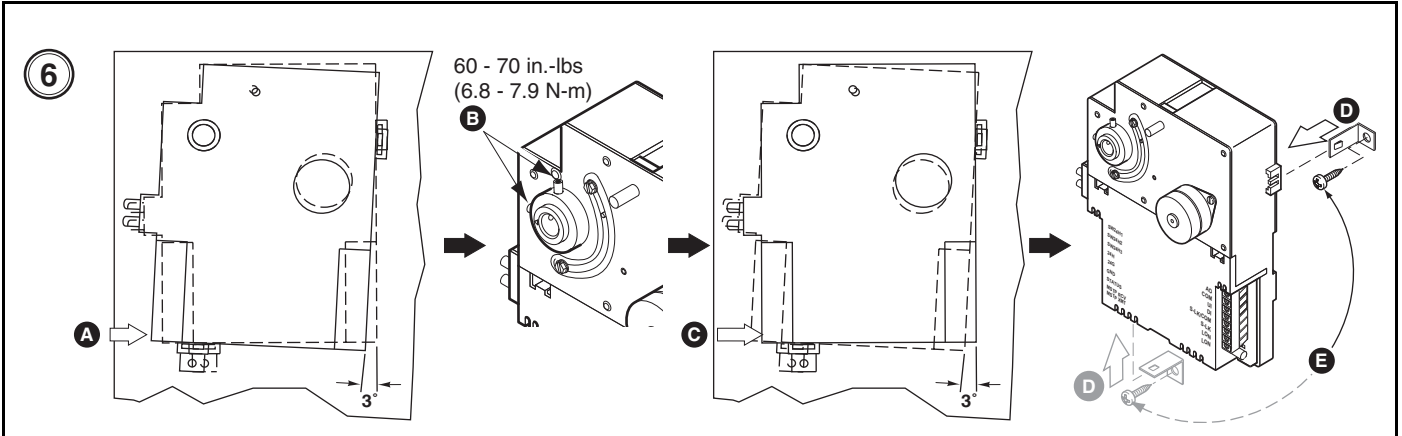


$L \geq 2$  (51mm)  
 $D = 1/2$  (12.7mm)

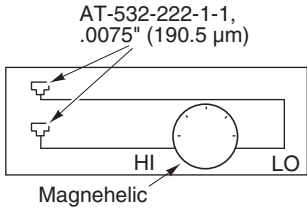
$D = 3/8$  (9.5mm)

$L < 2$  (51mm)  
 $> 3/4$  (19mm)

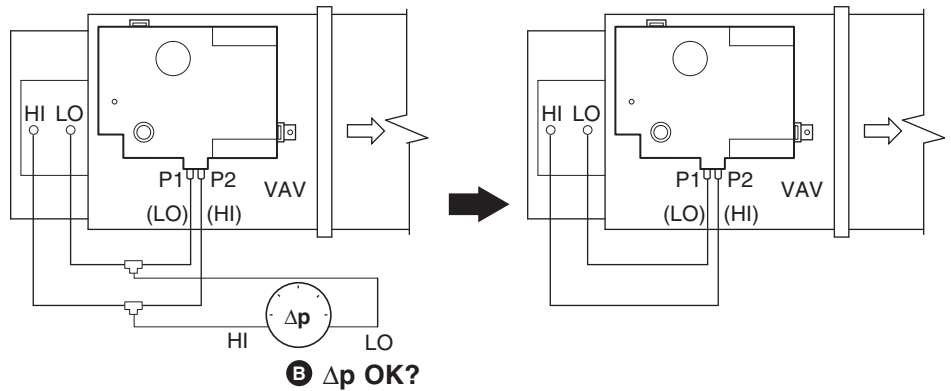




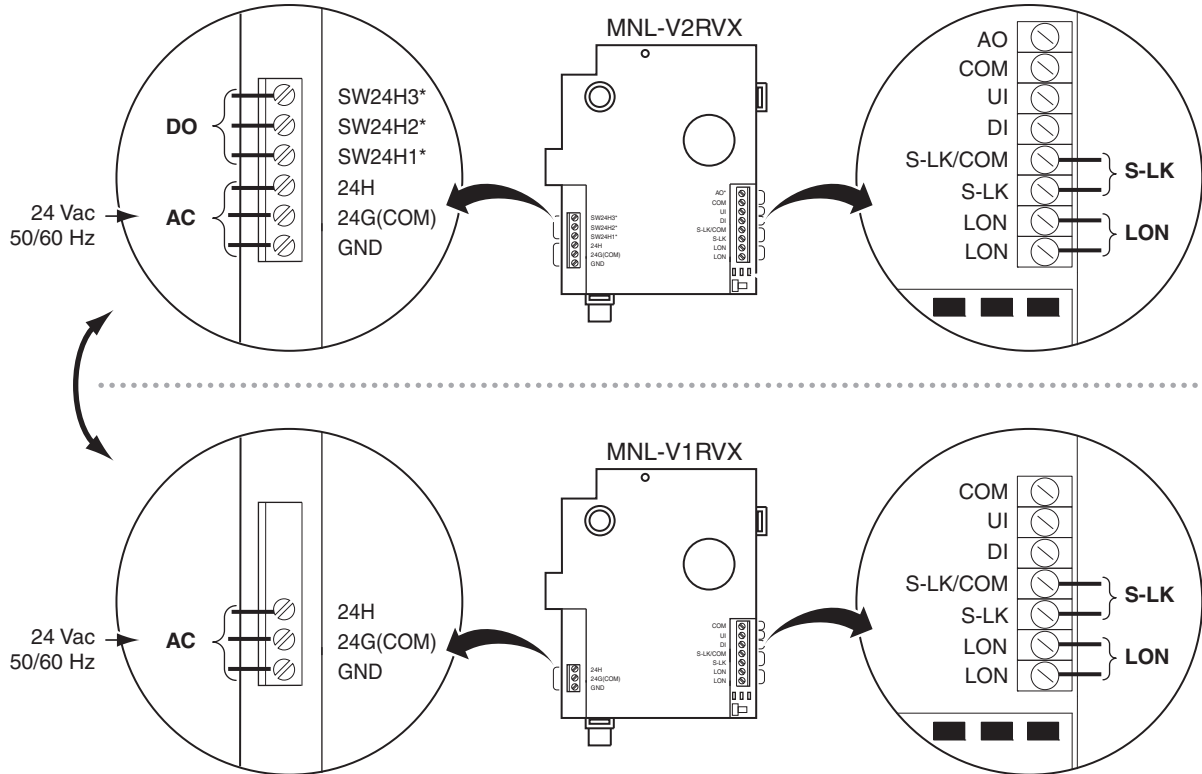
9



A



10



### California Proposition 65



**Warning:** This product can expose you to chemicals including lead, which is known to the state of California to cause cancer and which is known to the state of California to cause birth defects or other reproductive harm. For more information, go to <https://www.P65Warnings.ca.gov>.