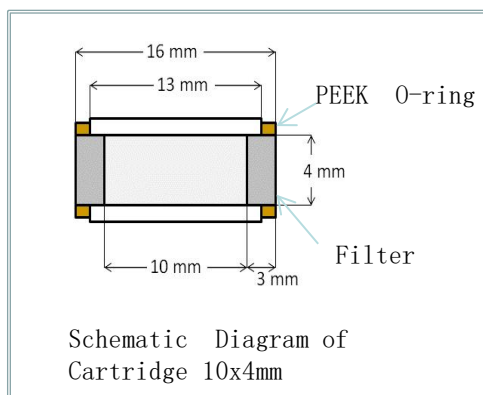


Sunniest Guard Cartridge (10×4mm)

Feature

- *Simple structure
- *Low dead volume
- *Available for not only 5 μm column but also 3 μm column



Comparison of chromatograms

Analytical column only



N(4) =10,690
TF(4) =1.05

Column: Sunniest C18, 5 μm 150 x 4.6 mm
Guard cartridge 10 x 4 mm

Mobile phase:

CH₃OH/20mM Phosphate buffer pH7.5 = 80/20

Flow rate: 1.0 mL/min

Temperature: 40 °C

Pressure: 4.8 MPa, 5.6 MPa(+guard)

Sample: 1 = Uracil,

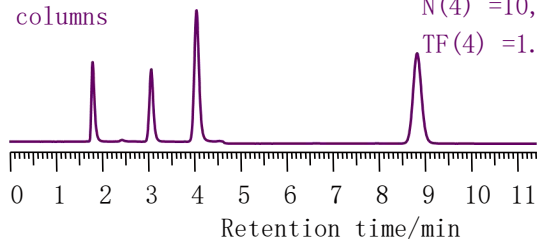
2 = Propranolol,

3 = Nortriptyline,

4 = Amitriptyline,

TF: USP tailing factor

Both Guard and Analytical columns



N(4) =10,770
TF(4) =1.07



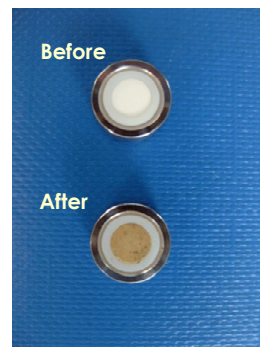
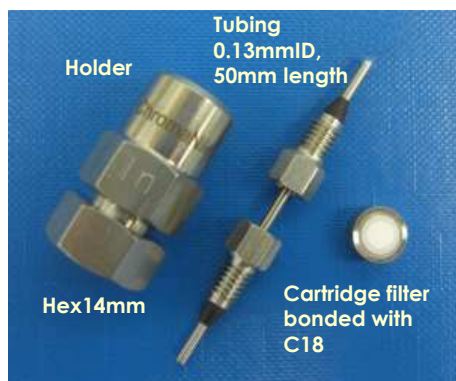
	Particle size	Catalog No.
Sunniest C18, 5 μm Guard cartridge column (1-pak + Holder) 4 x 10 mm	5 μm	EB3A1H
Sunniest RP-AQUA, 5 μm Guard cartridge column (1-pak + Holder) 4 x 10 mm	5 μm	ER3A1H
Sunniest C8, 5 μm Guard cartridge column (1-pak + Holder) 4 x 10 mm	5 μm	EC3A1H
Sunniest C18, 5 μm Guard cartridge (4-pak) 4 x 10 mm	5 μm	EB3A1C
Sunniest RP-AQUA, 5 μm Guard cartridge (4-pak) 4 x 10 mm	5 μm	ER3A1C
Sunniest C8, 5 μm Guard cartridge (4-pak) 4 x 10 mm	5 μm	EC3A1C
Sunniest Guard cartridge holder 4 x 10 mm	---	HOLA1C

SunShell RP Guard Filter



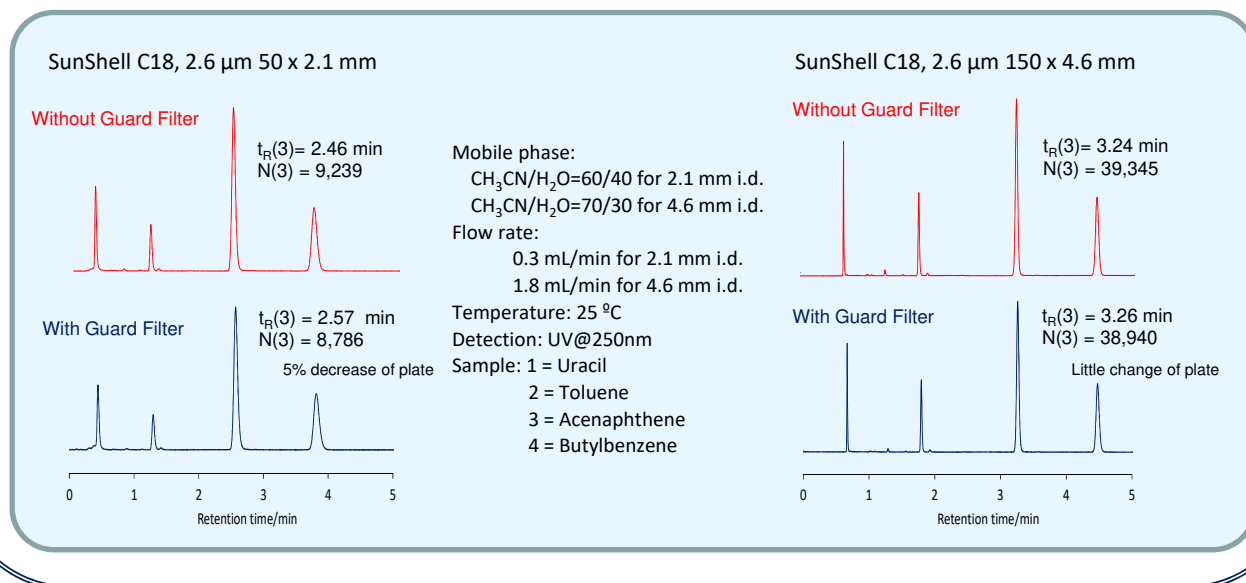
< Cartridge Type, Bonded with C18 and End-Capped with TMS >

Available as a guard column for reversed phase



- ✓ The filter is made of porous glass sized 4 mm i.d. and 4 mm thickness.
- ✓ Pore diameter is 2 μm .
- ✓ Low dead volume structure
- ✓ Back pressure on glass filter is ca. 0.1 MPa at 1.0 mL/min of flow rate.
- ✓ Upper pressure limit is more than 60 MPa
- ✓ Available for 2.1 mm i.d to 4.6 mm i.d. column

Evaluation of SunShell RP Guard Filter



Price of SunShell RP Guard Filter

Name	quantity	Part number	Photo
SunShell RP Guard Filter Starter Kit	Holder: 1 piece, RP Guard filter : 1 piece Tubing: 1piece, Nut: 2 pieces, Ferrule: 2 pieces (pressure Max: 9000 psi , 62MPa)	CBGAKN	
SunShell RP Guard Filter For exchange	5 pieces	CBGAAC	
SunShell RP Guard Filter Holder	1 piece	CBGAAH	