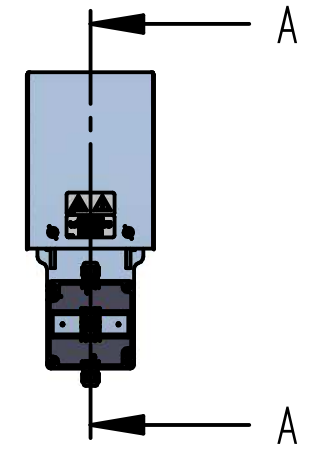
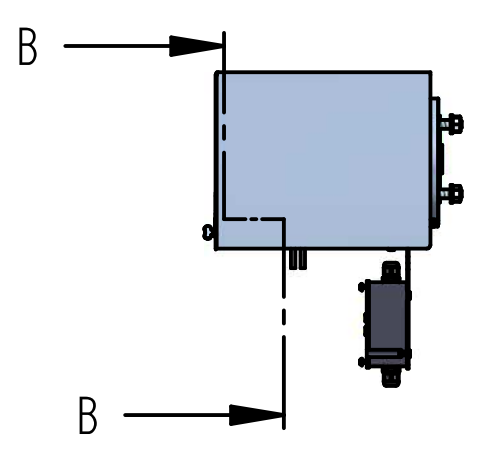
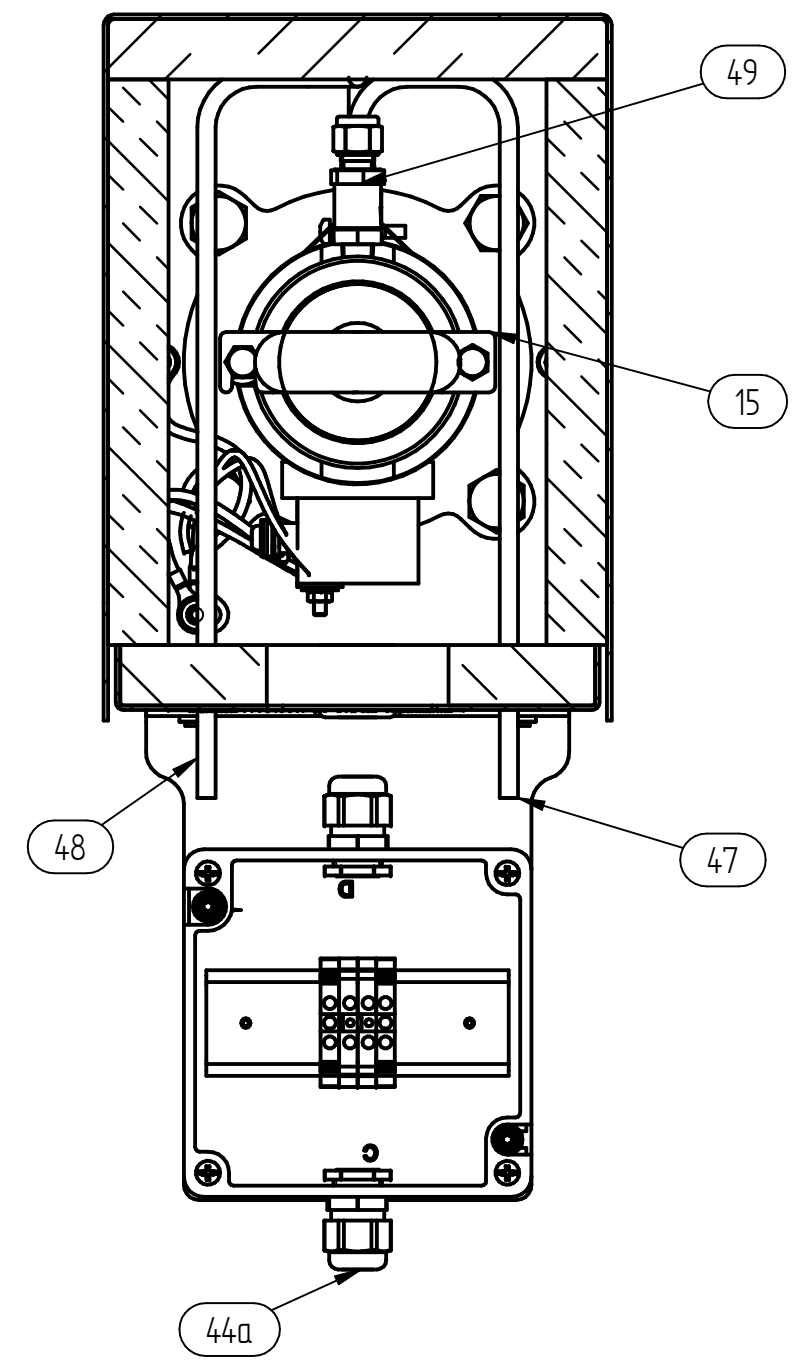
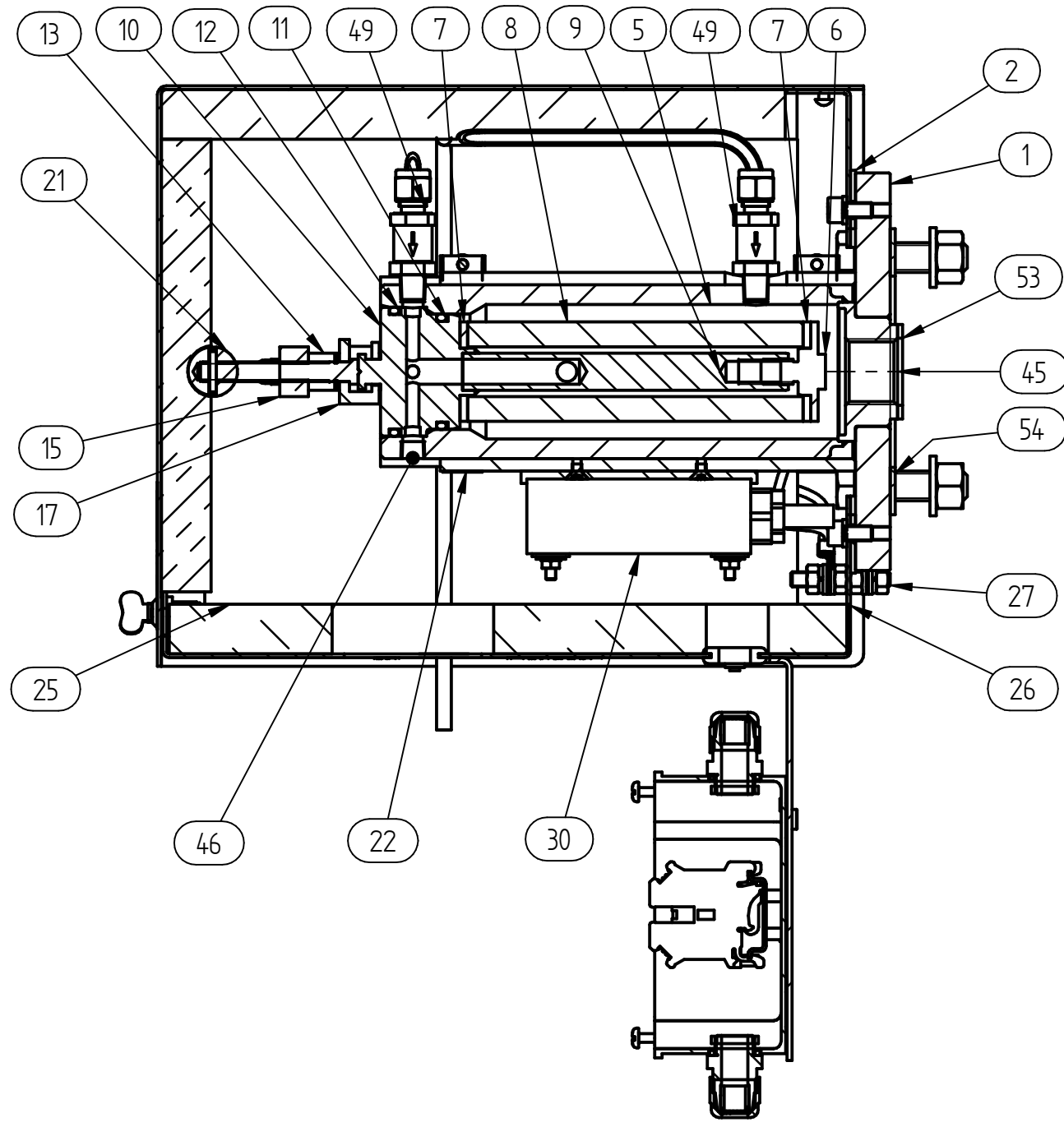



NOTE PROTECTION DIN 34! Schutzvermerk nach DN 34 beachten! The technical data and design disclosed in this drawing are the exclusive property of JCT Analysentechnik GmbH and/or contain proprietary rights of others and are not to be used or disclosed to others without the written consent of JCT Analysentechnik GmbH

Projekt: JES	Artikelbezeichnung: JES301E1BCS Gasentnahmesonde max. 120°C, 115-230V 50-60Hz		
Artikel Nr. / PartNo.: 35.00406	Components description: JES301E1BCS Gas sampling probe max. 120°C, 115-230V 50-60Hz		
<p>JCT Analysentechnik GmbH A-2700 Wiener Neustadt phone: +43 2622 87201 20</p>	Datum	Name	Werkstoffe / Material :
	Gepr.		Abmessungen / Dimension: 415x168
	Gez. 08.10.2015	thg	Gewicht / Weight: 12,882 kg
	Blatt 1 / 2		Modell: A35.00406_JES301E1BCS#02

Schnitt A-A

Schnitt B-B



<p>NOTE PROTECTION DIN 34! Schutzvermerk nach DN 34 beachten! The technical data and design disclosed in this drawing are the exclusive property of JCT Analysentechnik GmbH and/or contain proprietary rights of others and are not to be used or disclosed to others without the written consent of JCT Analysentechnik GmbH</p>				
<p>Projekt: JES</p>	<p>Artikelbezeichnung: JES301E1BCS Gasentnahmesonde max. 120°C, 115-230V 50-60Hz</p>			
<p>Artikel Nr. / PartNo.: 35.00406</p>	<p>Components description: JES301E1BCS Gas sampling probe max. 120°C, 115-230V 50-60Hz</p>			
 <p>JCT Analysentechnik GmbH A-2700 Wiener Neustadt phone: +43 2622 87201 20</p>	<p>Datum</p>	<p>Name</p>	<p>Werkstoffe / Material :</p>	
	<p>Gepr.</p>	<p>08.10.2015</p>	<p>thg</p>	<p>Abmessungen / Dimension: 415x168</p>
	<p>Gez.</p>	<p>08.10.2015</p>	<p>thg</p>	<p>Gewicht / Weight: 12,882 kg</p>
	<p>Blatt</p>	<p>2 / 2</p>	<p></p>	<p>Modell: A35.00406_JES301E1BCS#02</p>