



JES-360H

Gas Sampling Probe 315 °C for Pre-Filter Back Flush



JCT

Analysentechnik

Gas Sampling Probes

Heated Sample Lines

Sample Gas Coolers

Condensate Treatment

Accessories

Gas Conditioning Systems

Sample Gas Converters

APPLICATION

- Representative continuous gas sampling in processes containing high dust and humidity
- Extractive gas analysis
- Emission (CEMS) and process monitoring
- Removal of dust from the sample gas

BENEFITS

- Cost-optimized solutions
- No condensation or chemical reactions of sample gas
- Convenient filter replacement
- Low maintenance
- Safe unattended operation
- Easy start-up
- Even for high dust concentrations
- Reliable protection of the analyzer system
- Long filter lifetime

FEATURES

- Modular design for custom-tailored applications
- Highly efficient filter cleaning
- Homogeneous heating without cold spots
- Large active filter surface
- Filtration from outside to inside
- Filter element change without tools
- Different material of filter elements
- Electronic temperature controller including over temperature protection
- Temperature status contact
- Weather protection housing
- Various options and upgrades
- Wide range of accessories
- Integrated back purge control unit (option)

TECHNICAL DATA

Model

JES-360H

| | |
|-------------|---|
| Description | stationary gas sampling probe for pre-filter back flush |
|-------------|---|

Operation

| | |
|---------------------------|--|
| Temperature | 180 °C (ex works), adjustable 5 °C to 315 °C |
| Status limiter set values | -30 K / +20 K fixed to set point |
| Operating pressure | max. 2 bara (max. 7 bara optional) |
| Mounting position | 5° to 15° incline (recommended), torsion angle max. 45° |
| Heating-up time | < 1 h |
| Ambient temperature | for start-up -20 °C to 60 °C for continuous operation -30 °C to 60 °C |

Construction

| | |
|--|--|
| Dimensions over all (W x H x D) | 375 x 418 x 449 mm |
| Dimensions connection box (W x H x D) | 120 x 160 x 90 mm |
| Filter element | |
| Active filter surface | 170 cm ² |
| Mounting flange | DN 65, PN6; form A according to EN 1092-1; SS316L or 2" ANSI 150 lbs; according to ASME B16.5 |
| Sample gas inlet | G 3/4" female thread |
| Sample gas outlet | 1/8" NPT female thread |
| Calibration gas connection (feature C) | pipe 6 mm, SS316 |
| Back purge connection (feature K) | pipe 6 mm, SS316 |
| Connection pre-filter back flush (feature J) | NPT 3/8" female thread |
| Gas wetted materials | SS316L, ceramic, Perlast® |
| Protection class | connection box IP65, probe IP43 |
| Weight | approx. 15 kg, depending on options |
| Weather protection housing | SS304, thermal insulated, colour stainless steel natural |
| Approvals / signs | CE |

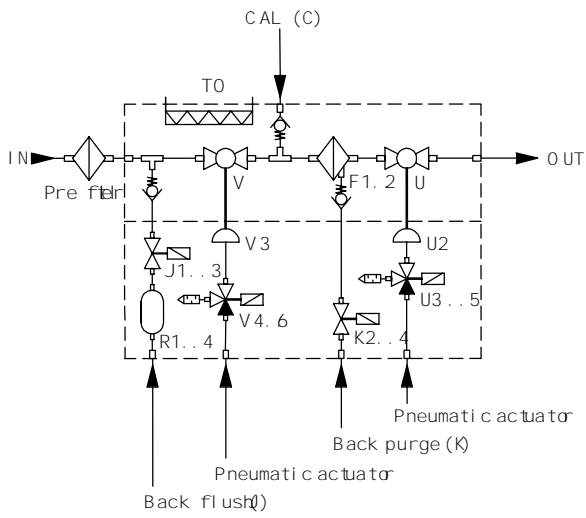
Electrics

| | |
|---|---|
| Power supply | 230 VAC 50 Hz or 115 VAC 60 Hz |
| Power consumption | approx. 805 VA |
| Temperature controller / sensor | electronic / Pt100 (IEC-751) |
| Electrical connection | spring type terminals, clamping range 0,08 to 2,5 mm ² |
| Switching capacity status contact (volt free) | 230 VAC / 2 A, min. 5 VDC / 5 mA |

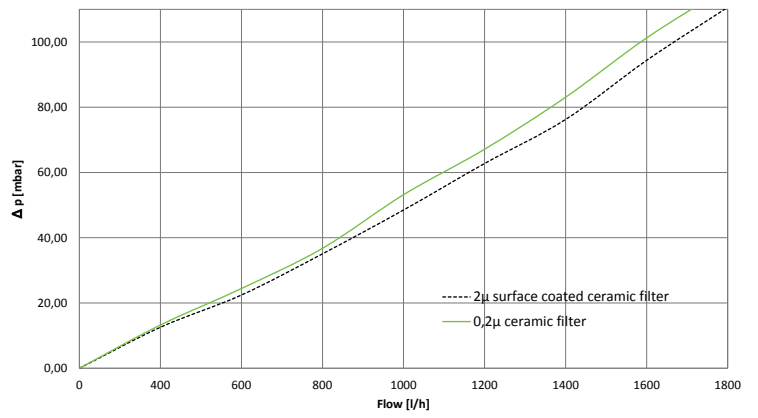
Scope of delivery: sampling probe, mounting material, flange gasket, gasket for sampling pipe, operating manual

FLOW CHART

This flow chart includes all possible options.

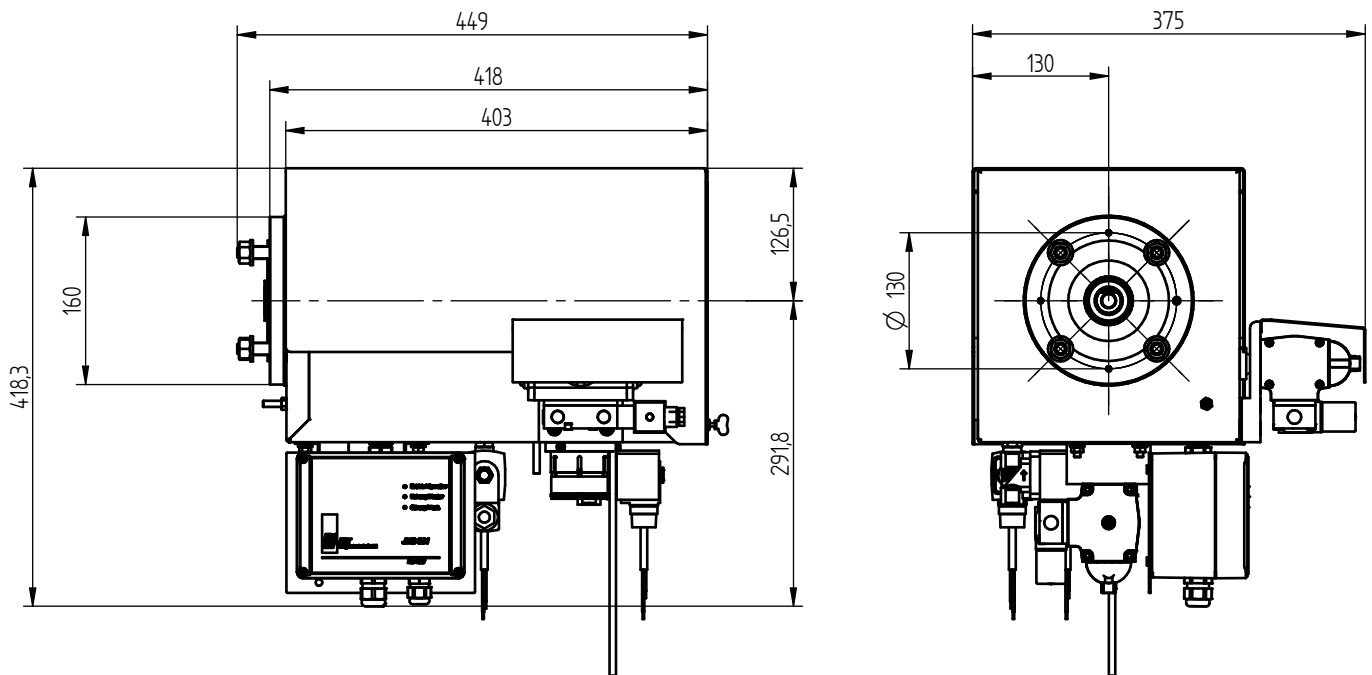


**Pressure characteristics in dependence of the gas flow
(for new filter element and 20 °C)**



DIMENSIONS

Dimensions in mm



ORDER CODE

Scope of delivery: sampling probe, mounting material, flange gasket, gasket for sampling pipe, operating manual

| | |
|--------------------------------|---|
| Basic model includes | Pre-filter back flush with non return valve (not for option V0) Weather protection housing Temperature controller 315 °C (adjustable) |
|--------------------------------|---|

Available Features

| | | | | | | | | | | | | | | | | | | | | |
|---|--|--|----------|----------------------|--|--|--|----------------------------|----------------------|--|----------------------------|--|--|----------|----------|--|--|--|--------|--|
| Flange | DN65/PN6 2" ANSI | Z1 Z2 | | | | | | | | | | | | | | | | | | |
| Filter | 2 µm ceramic 0,2 µm ceramic surface coated | | F1 F2 | | | | | | | | | | | | | | | | | |
| Power supply | 230 VAC 50/60 Hz with temperature controller 115 VAC 50/60 Hz with temperature controller 230 VAC 50/60 Hz with junction box 115 VAC 50/60 Hz with junction box | | | X1 X2 X3 X4 | | | | | | | | | | | | | | | | |
| Process shut off ball valve | without shut off ball valve and without pre-filter back flush without shut off ball valve with manual operation with pneumatic actuator with pneumatic actuator and pilot valve 24 VDC with pneumatic actuator and pilot valve 115 VAC with pneumatic actuator and pilot valve 230 VAC with electric actuator, 230 VAC | | | | | V0 V1 V2 V3 V4 V5 V6 V7 | | | | | | | | | | | | | | |
| Back purge valve/port sample probe filter | without back purge port with non return valve back purge port with non return valve 24 VDC back purge port with non return valve 115 VAC 50/60 Hz back purge port with non return valve 230 VAC 50/60 Hz | | | | | | | K0 K1 K2 K3 K4 | | | | | | | | | | | | |
| Pre filter back flush valve | without 24 VDC 115 VAC 50/60 Hz 230 VAC 50/60 Hz | | | | | | | | J0 J1 J2 J3 | | | | | | | | | | | |
| Isolation ball valve probe outlet | without with manual operation with pneumatic actuator with pneumatic actuator and pilot valve 24 VDC with pneumatic actuator and pilot valve 115 VAC with pneumatic actuator and pilot valve 230 VAC with electric actuator, 230 VAC | | | | | | | | | U0 U1 U2 U3 U4 U5 U6 | | | | | | | | | | |
| Air accumulator | without air accumulator 2 l air accumulator 5 l air accumulator heated 2 l air accumulator heated 5 l | | | | | | | | | | R0 R1 R2 R3 R4 | | | | | | | | | |
| Fitting aperture for heated sample line | for mounting clamp diameter 35-50 mm for mounting clamp diameter 58-61 mm | | | | | | | | | | | | | M1 M2 | | | | | | |
| Connection ports | inch metric | | | | | | | | | | | | | | A1 A2 | | | | | |
| Additional Options | | | | | | | | | | | | | | | | | | | | |
| Others | calibration port with non return valve back purge controller | | | | | | | | | | | | | | | | | | C K | |
| Order code | | JES-360H. Z F X V K J U R M A - C K | | | | | | | | | | | | | | | | | | |

JCT Analysentechnik GmbH offers a wide range of accessories. Please refer to separate data sheets for further information.

| | | | | | | |
|---|---|--|---|---|---|---|
| <p>Gas Sampling Probes</p>  | <p>Heated Sample Lines</p>  | <p>Sample Gas Coolers</p>  |  <p>JCT Analysentechnik</p> | <p>Gas Conditioning Systems</p>  | <p>NOx Converter</p>  | <p>and solutions for</p>  <p>—fixed— installation ◀portable▶</p> |
|---|---|--|---|---|---|---|