



JPXE4 and RGC Temperature Controller and Solid State Relays

JCT
Analysentechnik



Gas Sampling
Probes

Heated Sample Lines

Sample Gas
Coolers

Condensate
Treatment

Accessories

Gas Conditioning
Systems

Sample Gas
Converters

APPLICATION

- Digital temperature controller and Solid State Relay combination for all (very long) **JCT** heated sample lines
- For operation with elevated safety requirements due to a limiter function with permanent shut down and status message
- Also universal applicable for temperature control
- For PWM-heating applications

BENEFITS

- Long lifetime due to Solid State Relay instead of electro mechanic relays
- Excess temperature limiter with permanent shut down and low temperature alarm
- Operating current of 100 VAC to 240 VAC
- Self optimising (Autotuning)
- Programmable status contacts
- Easy installation and set up
- High reliability
- Robust compact design

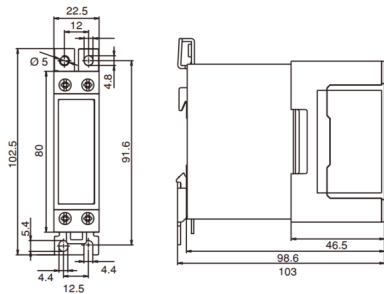
FEATURES

- Ready for use combination of digital temperature controller JPXE4 and solid state relay
- RGC with up to 30 A switching capacity
- 4-digits LED indication of set point and actual value
- For PT 100 and thermo couples
- JPXE4 for front panel mounting or optional for wall or rail mounting
- Solid state relay RGC for rail mounting
- For single and 3 phase application
- SSR with varistor protection output
- Self-lifting terminals

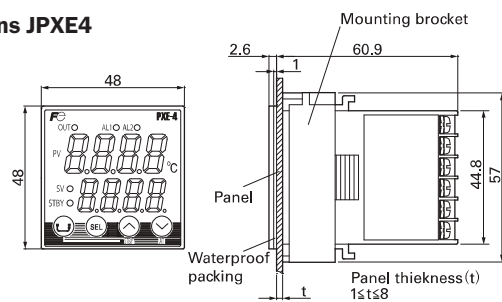
TECHNICAL DATA

Model	RGC	RGC2	JPXE4
Description	Universal temperature controller and solid state relay (30A) combination		
Order code	89.00500	89.00510	89.00102 pre-configuration 89.90000
Operating Data			
Ambient temperature	-40°C to +80°C (refer to derating curves)		-10°C to +50°C
Humidity	95 % RH (no condensation)		90 % RH (no condensation)
Construction			
Installation	DIN rail mounting		front panel mounting
Weight	308 g	600 g	100 g
Protection class	IP 20 (EN 60529)		
Approvals	CE, UL, CSA, IEC	CE, UL, IEC	CE
Electrics			
Power supply	42 to 600 VAC +10 % / -15 %, 45 to 65 Hz		100 to 240 VAC, 50/60 Hz +/-10 %
SSR / SSC driving output	ON: 10,2 to 15 VDC, OFF: max. 0,5 VDC current: max. 20 mA		
Control voltage	4 to 32 VDC	5 to 32 VDC	
Control current	10 mA at 24 V	29,5 mA at 24 V	
Rated current (at 25°C ambient temperature)	30 A	3 x 32 A	
Surge current	580 A at 25°C and t = 10 ms	600 A at 25°C and t = 10 ms	
Power consumption			max. 6 VA
Relay contact outlet			1 x changeover contact NO, 220 VAC / 30 VDC 3 A (ohmic load)
Sensor type			PT100, thermo couple -J, -K, -R, -B, -S, -T, -E, -N, -PL-II

Dimensions RGC

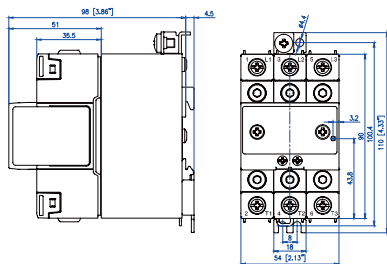


Dimensions JPXE4

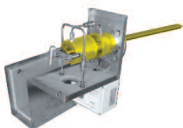


Dimensions in mm

Dimensions RGC2



Gas Sampling **Probes**



Heated Sample **Lines**



Sample Gas **Coolers**



Gas Conditioning **Systems**



NOx **Converter**



and solutions for

