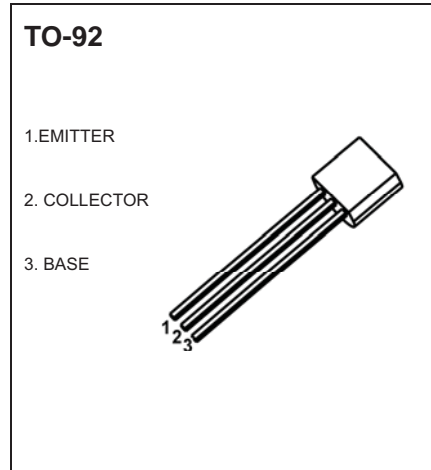
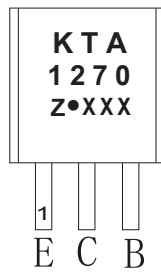


## KTA1270 TRANSISTOR (PNP)

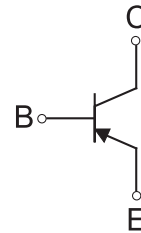
### FEATURES

- General Purpose Application Switching Application

### MARKING



### Equivalent Circuit



### ORDERING INFORMATION

Part Number	Package	Packing Method	Pack Quantity
KTA1270	TO-92	Bulk	1000pcs/Bag

### MAXIMUM RATINGS (T<sub>a</sub>=25°C unless otherwise noted)

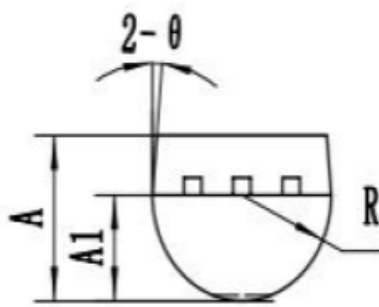
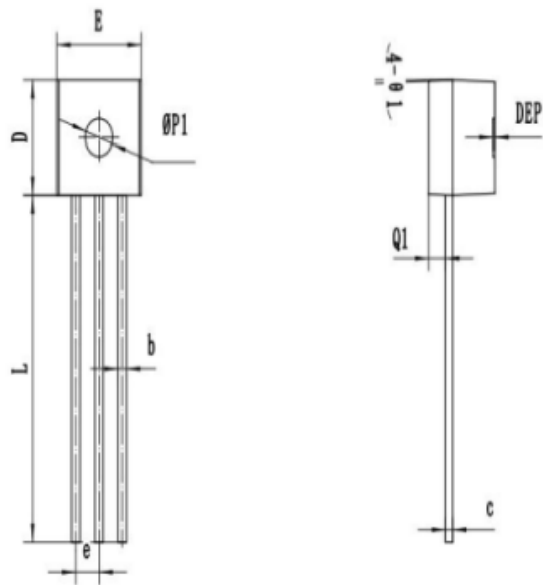
Symbol	Parameter	Value	Unit
V <sub>CB0</sub>	Collector-Base Voltage	-35	V
V <sub>CEO</sub>	Collector-Emitter Voltage	-30	V
V <sub>EBO</sub>	Emitter-Base Voltage	-5	V
I <sub>c</sub>	Collector Current -Continuous	-500	mA
P <sub>D</sub>	Collector Power Dissipation	500	mW
R <sub>θJA</sub>	Thermal Resistance from Junction to Ambient	250	°C /W
T <sub>J</sub> , T <sub>stg</sub>	Operation Junction and Storage Temperature Range	-55~+150	°C

$T_a=25\text{ }^\circ\text{C}$  unless otherwise specified

Parameter	Symbol	Test conditions	Min	Typ	Max	Unit
Collector-base breakdown voltage	$V_{(BR)CBO}$	$I_C = -100\mu\text{A}, I_E = 0$	-35			V
Collector-emitter breakdown voltage	$V_{(BR)CEO}$	$I_C = -1\text{mA}, I_B = 0$	-30			V
Emitter-base breakdown voltage	$V_{(BR)EBO}$	$I_E = -100\mu\text{A}, I_C = 0$	-5			V
Collector cut-off current	$I_{CBO}$	$V_{CB} = -35\text{ V}, I_E = 0$			-0.1	$\mu\text{A}$
Emitter cut-off current	$I_{EBO}$	$V_{EB} = -5\text{ V}, I_C = 0$			-0.1	$\mu\text{A}$
DC current gain	$h_{FE1}$	$V_{CE} = -1\text{ V}, I_C = -100\text{mA}$	70		240	
	$h_{FE2}$	$V_{CE} = -6\text{ V}, I_C = -400\text{mA}$	25			
Collector-emitter saturation voltage	$V_{CE(sat)}$	$I_C = -100\text{mA}, I_B = -10\text{mA}$			-0.25	V
Base-emitter voltage	$V_{BE(on)}$	$V_{CE} = -1\text{V}, I_C = -100\text{mA}$			-1	V
Transition frequency	$f_T$	$V_{CE} = -6\text{ V}, I_C = -20\text{mA}$ $f = 100\text{MHz}$		200		MHz
Collector output capacitance	$C_{ob}$	$V_{CB} = -6\text{V}, I_E = 0, f = 1\text{MHz}$		13		pF

#### CLASSIFICATION OF $h_{FE}$

Rank		O	Y
Range	$h_{FE(1)}$	70-140	120-240
	$h_{FE(2)}$	25(min)	40(min)



SYMBOL	MM		
	MIN	NOM	MAX
*A	3.00	3.25	3.50
A1	2.20	2.30	2.40
*b	0.40	0.45	0.50
*c	0.25	0.30	0.35
*D	4.50	4.60	4.70
*E	4.50	4.60	4.70
*e	1.22	1.27	1.32
*L	14.00	14.30	14.60
R	2.20	2.30	2.40
Q1	0.85	0.90	0.95
θ	3°	5°	7°
Ø1	1°	3°	5°
ØP1	1.40	1.50	1.60
DEP	0.05	0.10	0.20
带*为检验尺寸			