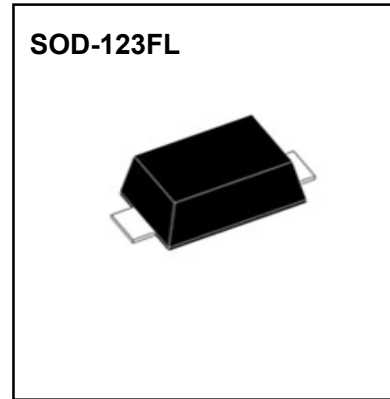


1N4001W THRU 1N4007W

Surface Mount General Purpose Silicon Rectifiers

Reverse Voltage - 50 to 1000 V

Forward Current - 1 A



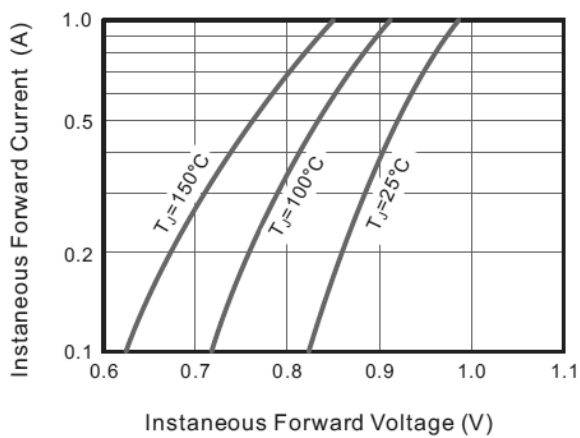
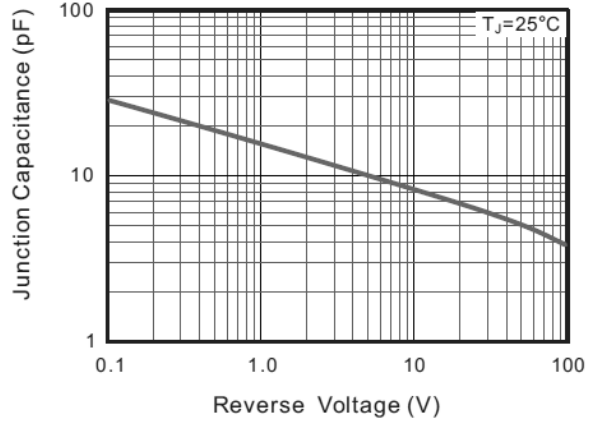
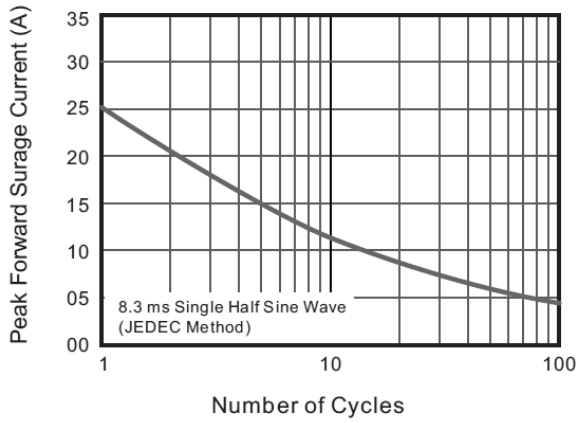
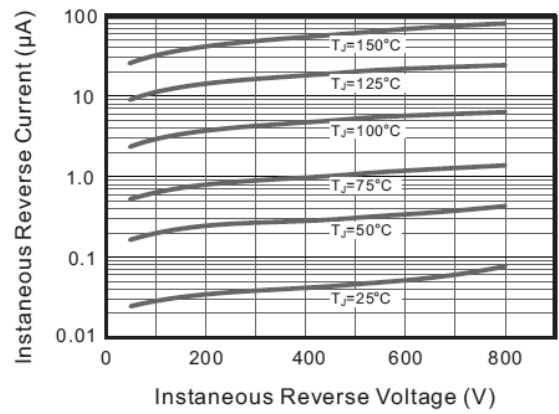
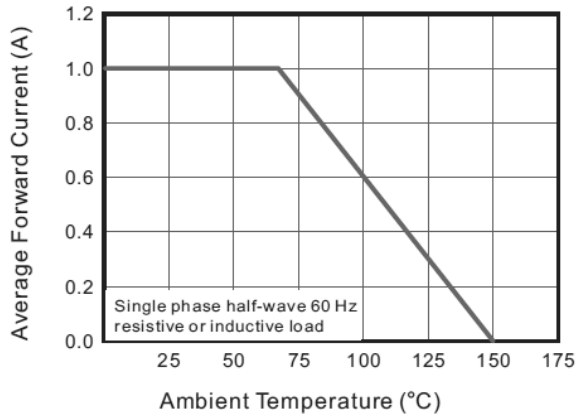
Maximum Ratings and Electrical characteristics

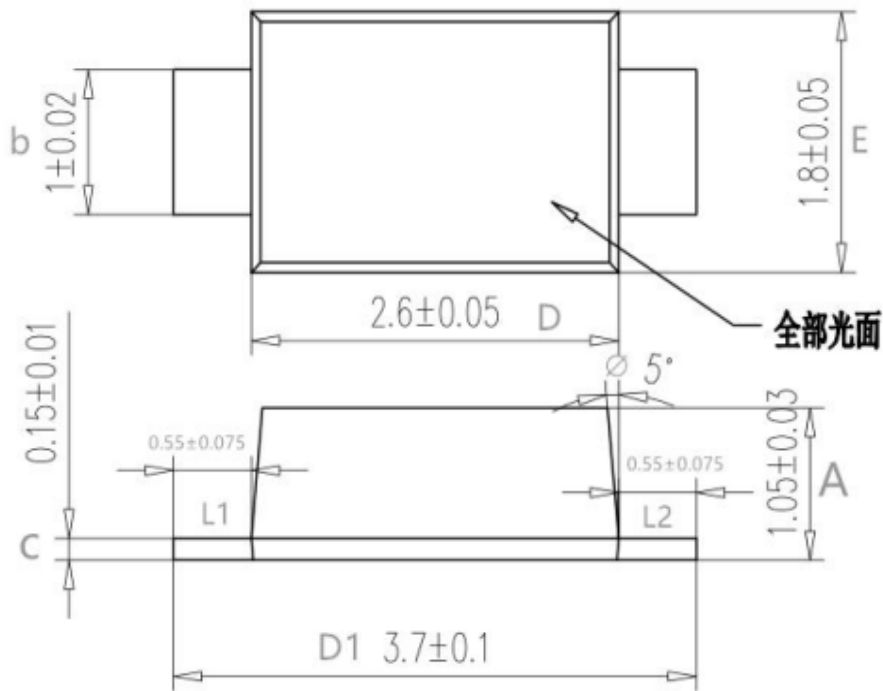
Ratings at 25°C ambient temperature unless otherwise specified. Single phase half wave 60 Hz, resistive or inductive load, for capacitive load current derate by 20 %.

Parameter	Symbols	1N4001W	1N4002W	1N4003W	1N4004W	1N4005W	1N4006W	1N4007W	Units
Maximum Repetitive Peak Reverse Voltage	V_{RRM}	50	100	200	400	600	800	1000	V
Maximum RMS voltage	V_{RMS}	35	70	140	280	420	560	700	V
Maximum DC Blocking Voltage	V_{DC}	50	100	200	400	600	800	1000	V
Maximum Average Forward Rectified Current at $T_a = 65^\circ\text{C}$	$I_{F(AV)}$	1							A
Peak Forward Surge Current 8.3 ms Single Half Sine Wave Superimposed on Rated Load (JEDEC Method)	I_{FSM}	25							A
Maximum Instantaneous Forward Voltage at 1 A	V_F	1.1							V
Maximum DC Reverse Current at Rated DC Blocking Voltage	I_R	$T_a = 25^\circ\text{C}$: 5 $T_a = 125^\circ\text{C}$: 50							μA
Typical Junction Capacitance ¹⁾	C_j	9							pF
Typical Thermal Resistance ²⁾	$R_{\theta JA}$	120							$^\circ\text{C/W}$
Operating and Storage Temperature Range	T_j, T_{stg}	- 55 to + 150							$^\circ\text{C}$

¹⁾ Measured with $I_F = 0.5\text{ A}$, $I_R = 1\text{ A}$, $I_{rr} = 0.25\text{ A}$.

²⁾ P.C.B. mounted with 0.2 X 0.2" (5 X 5 mm) copper pad areas.





项目	公制 (mm)	
	MIN	MAX
*A	1.02	1.08
*b	0.98	1.02
*c	0.14	0.16
*D	2.55	2.65
*D1	3.60	3.80
*E	1.75	1.85
*L1	0.475	0.625
*L2	0.475	0.625
θ	4°	6°
带*为检验尺寸		