

Mechanical Data

Parameter	Symbol	Unit	Value
Stator			
External diameter	∅Ds	mm	134.7
Internal diameter	∅ds	mm	88
Height	Hs	mm	151.2
Height of winding	H1s	mm	40 (max)
	H2s	mm	35 (max)
Rotor			
External diameter	Dr	mm	87
Internal diameter	∅dr	mm	60
Height	Hr	mm	150.15
Cooling jacket			
External diameter	∅D1c	mm	153
	∅D2c	mm	155
Height	H1c	mm	235
Outlet position	H2c	mm	32.5
Inlet position	H3c	mm	37.5
Stator position	H4c	mm	40
Stator range	Hc	mm	151.2
Cooling condition			
Capacity of cooler	Pc	W	≥ 2,200
Min. water flow	q	L/min	9
Max. pressure drop	ΔP	bar	5.1

[Temp. Cable]

Signal (color)
Pt1000 (Red/White)
PTC130 (Blue/Blue)
PTC150 (Black/Black)

Length
500 mm

[Motor Cable]

Signal (color)
Phase U (Brown)
Phase V (Black)
Phase W (Blue)

Length
500 mm

Cross section
∅6 mm²

Diameter
∅5.5 mm

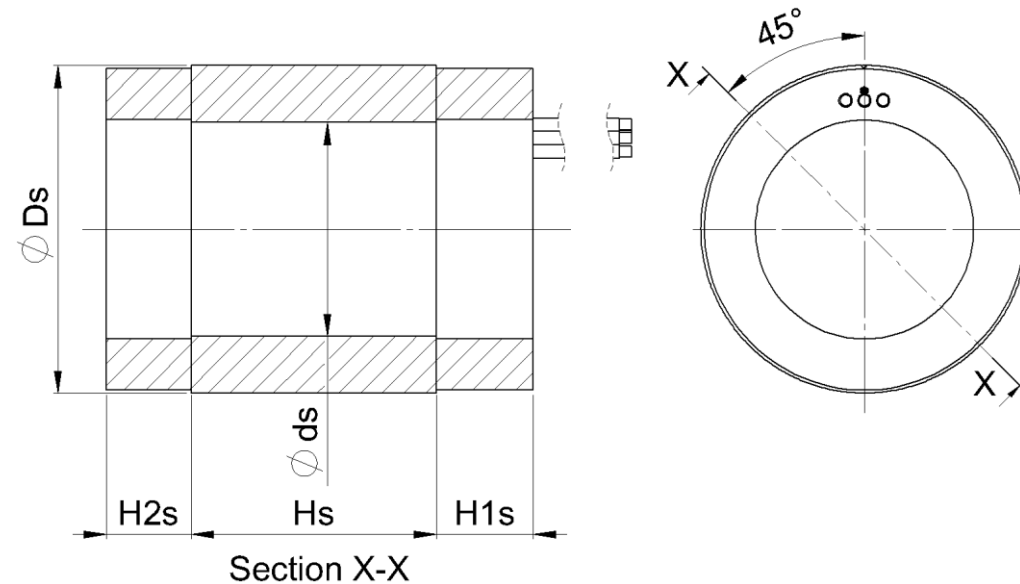
[Motor Weight]

Stator with cooling jacket
12.14 kg

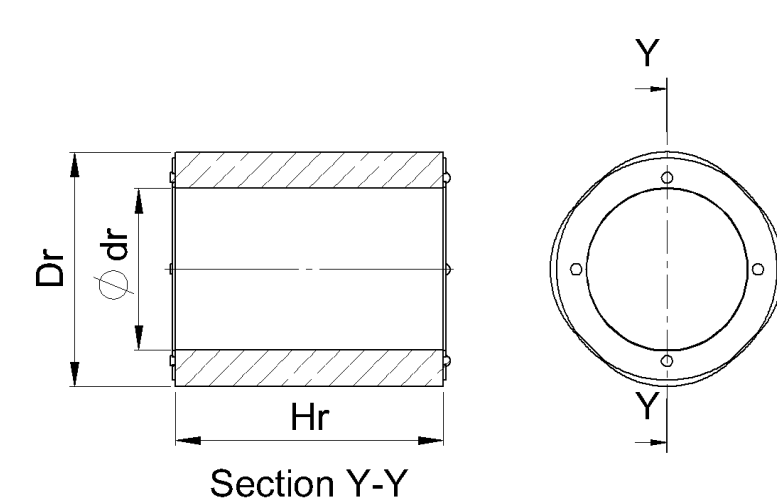
Stator without cooling jacket
9.74 kg

Rotor
3.2 kg

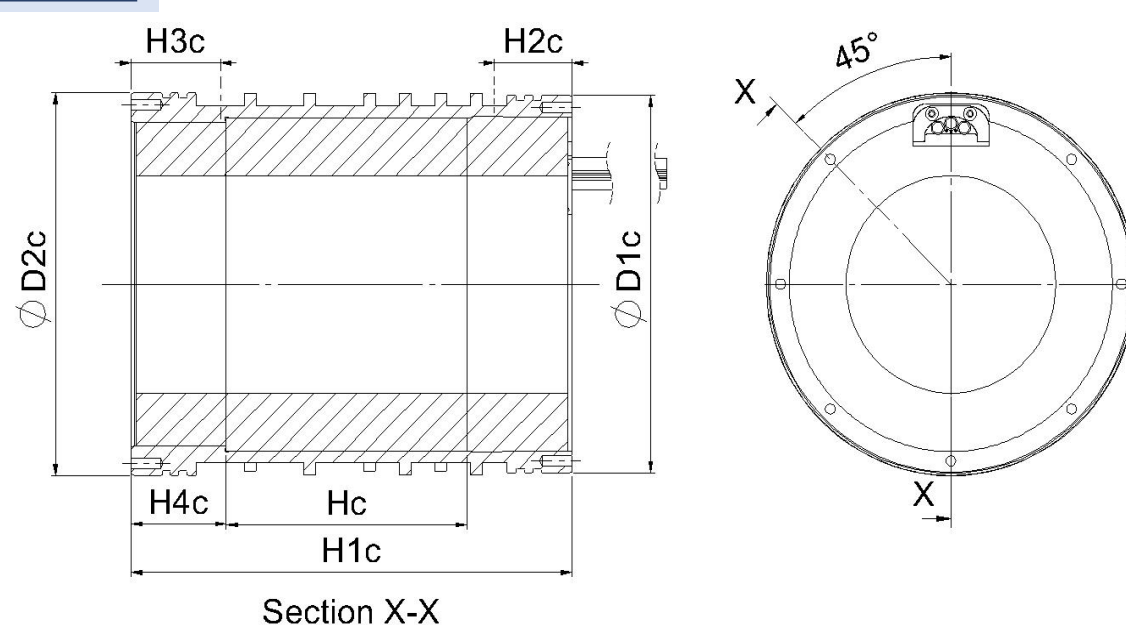
Stator



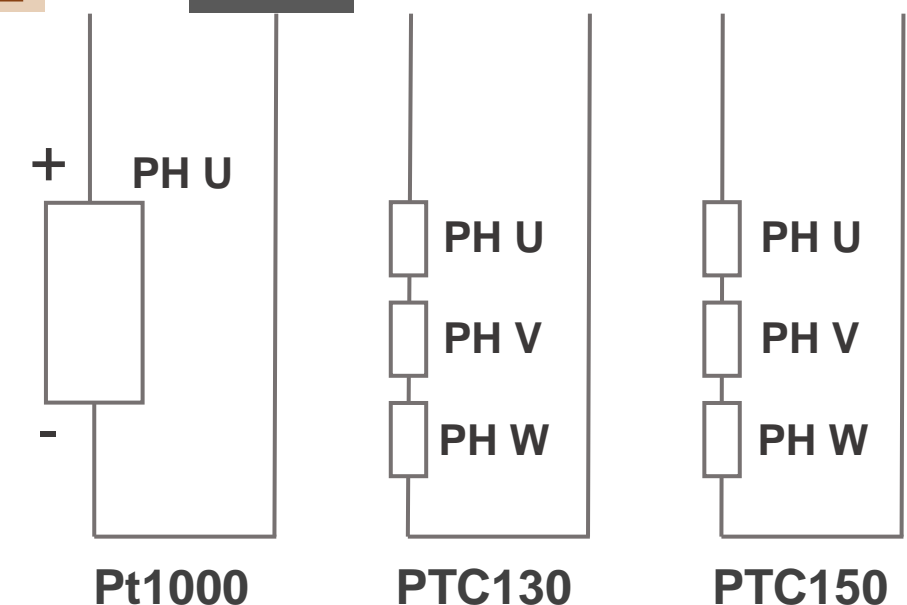
Rotor



Cooling jacket



Thermistor Red White Blue Blue Black Black



Remark:

- Encoder is not included with a motor.
- The detailed dimension & tolerances, please refer to the customer's approval drawing.

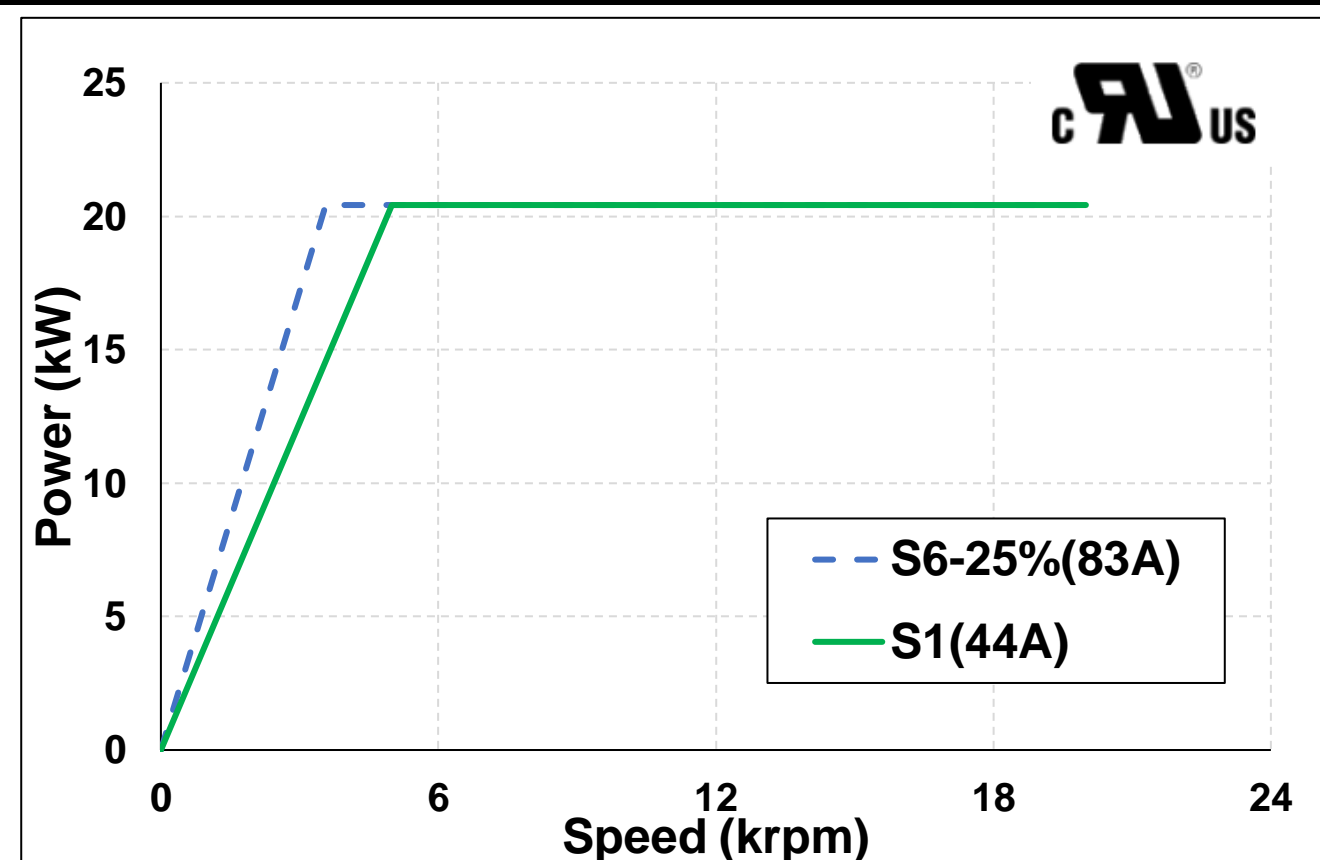
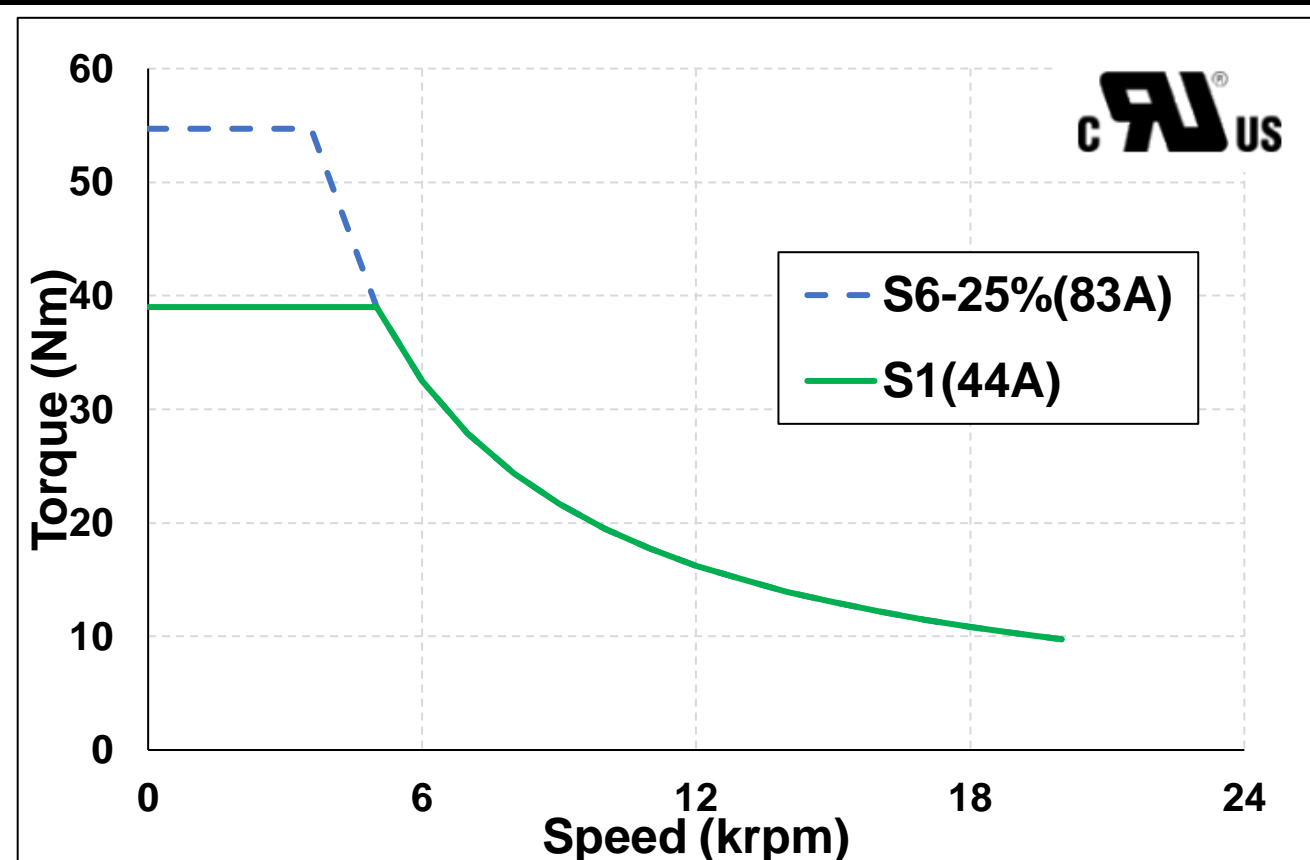
Pages : 1

Version : 2.00

Date : 2022/9/6

Electrical Data

Parameter	Symbol	Unit	Value
Rated power	P_c	kW	20
Rated speed	n_c	rpm	5,000
Rated torque	T_c	Nm	38.7
Rated current	I_c	Arms	44
Max. speed	n_{max}	rpm	20,000
Max. torque (S6-25%)	T_{max}	Nm	54.8
Max. current (S6-25%)	I_{max}	Arms	83
Motor limit current	I_{limit}	Arms	88
Back emf constant (line-line)	K_v	Vrms / krpm	70.1
Torque constant	K_t	Nm/Arms	0.879
Resistance (line-line)(@20°C)	R_{20}	Ω	0.42
Inductance (line-line)	L	mH	2.19
D-axis Inductance (Phase)	L_d	mH	2.16
Q-axis Inductance (Phase)	L_q	mH	2.22
Additional Inductance	L_{add}	mH	0.098
Inertia of rotor	J	kgm ²	0.006
Number of poles	2P	—	4
Motor voltage	—	V_{AC}	380



Remark:

1. The data for duty type S6 are valid for a 1 min. duty cycle.

Pages : 2

Version : 2.00

Date : 2022/9/6