

Mechanical Data

Parameter	Symbol	Unit	Value
<b>Stator</b>			
External diameter	∅Ds	mm	134.7
Internal diameter	∅ds	mm	88
Height	Hs	mm	201.15
Height of winding	H1s	mm	40 (max)
	H2s	mm	35 (max)
<b>Rotor</b>			
External diameter	Dr	mm	87
Internal diameter	∅dr	mm	60
Height	Hr	mm	200.1
<b>Cooling jacket</b>			
External diameter	∅D1c	mm	153
	∅D2c	mm	155
Height	H1c	mm	285
Outlet position	H2c	mm	32.5
Inlet position	H3c	mm	37.5
Stator position	H4c	mm	40
Stator range	Hc	mm	201.15
<b>Cooling condition</b>			
Capacity of cooler	Pc	W	≥ 2,400
Min. water flow	q	L/min	9
Max. pressure drop	ΔP	bar	6.8

[Temp. Cable]

Signal (color)  
Pt1000 (Red/White)  
PTC130 (Blue/Blue)  
PTC150 (Black/Black)  
  
Length  
500 mm

[Motor Cable]

Signal (color)  
Phase U (Brown)  
Phase V (Black)  
Phase W (Blue)

Length  
500 mm

Cross section  
∅6 mm<sup>2</sup>

Diameter  
∅5.5 mm

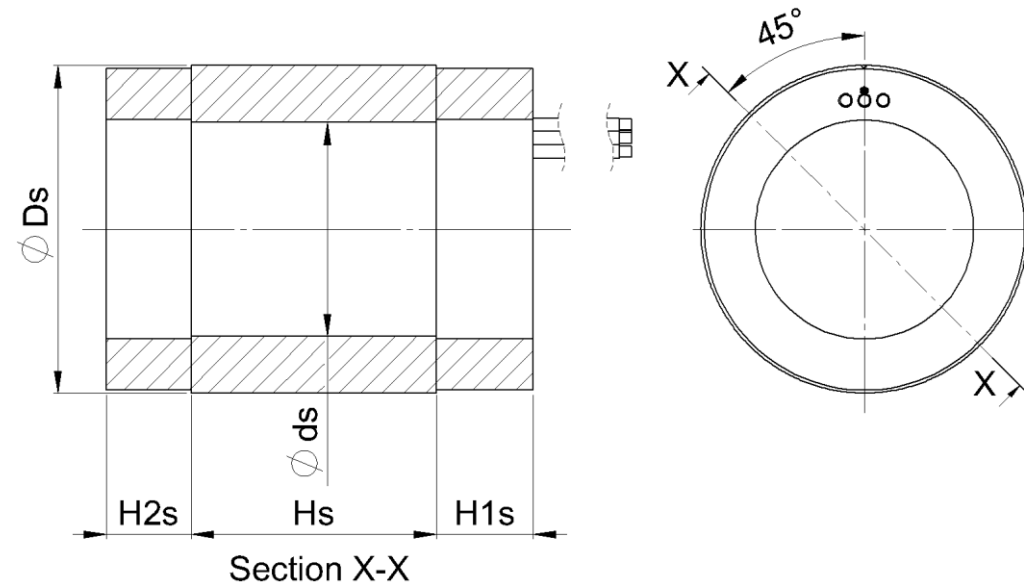
[Motor Weight]

Stator with cooling jacket  
15.32 kg

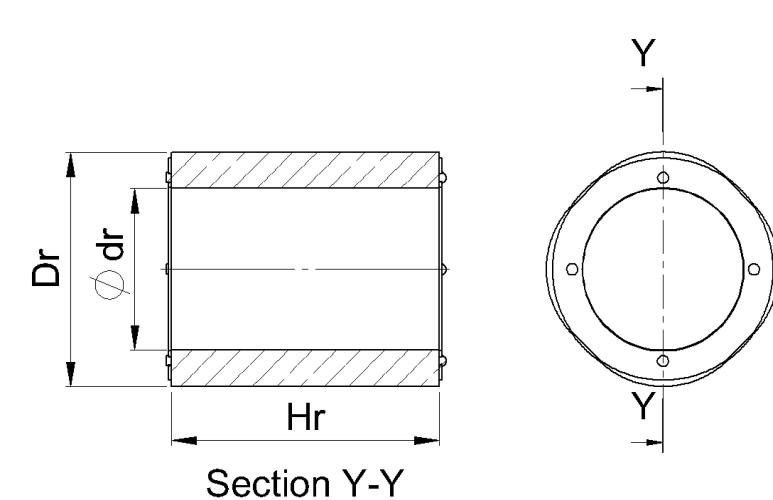
Stator without cooling jacket  
12.12 kg

Rotor  
4.26 kg

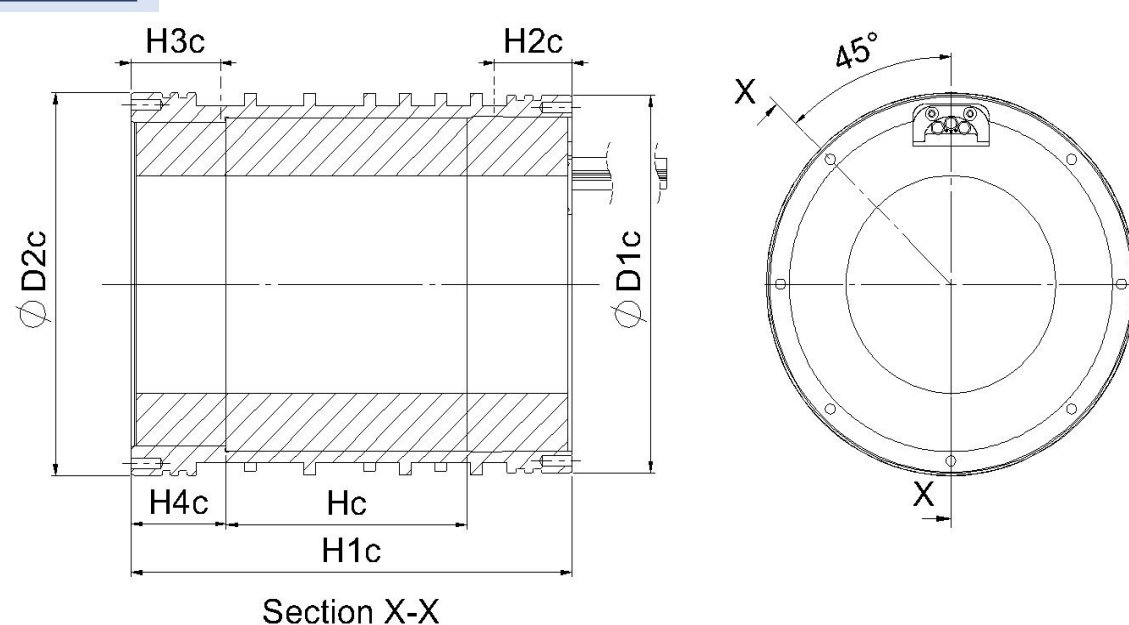
Stator



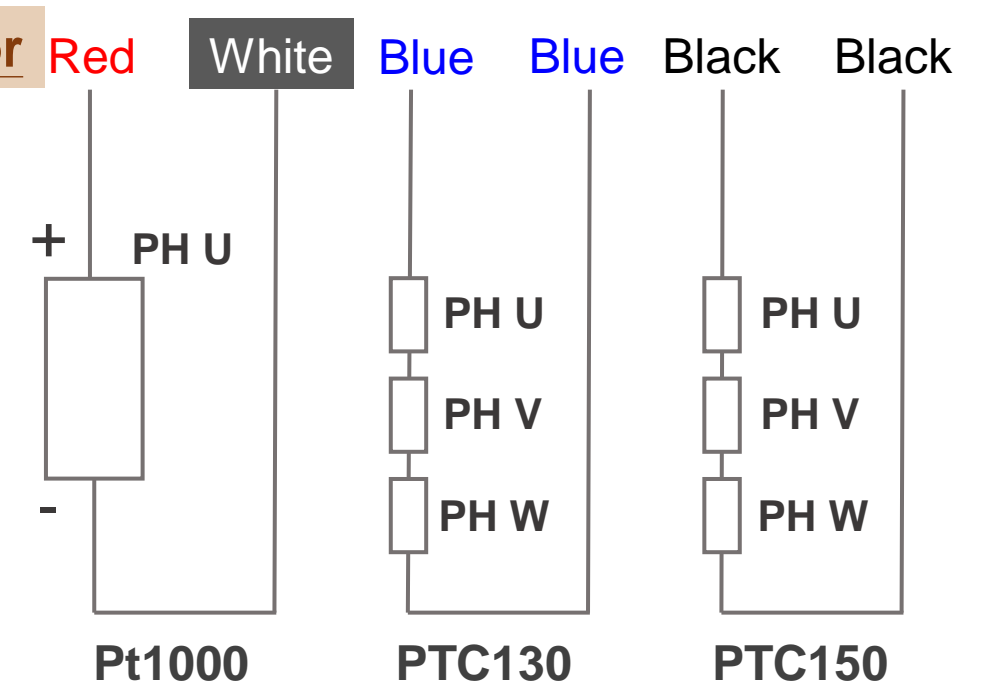
Rotor



Cooling jacket



Thermistor



Remark:

- Encoder is not included with a motor.
- The detailed dimension & tolerances, please refer to the customer's approval drawing.

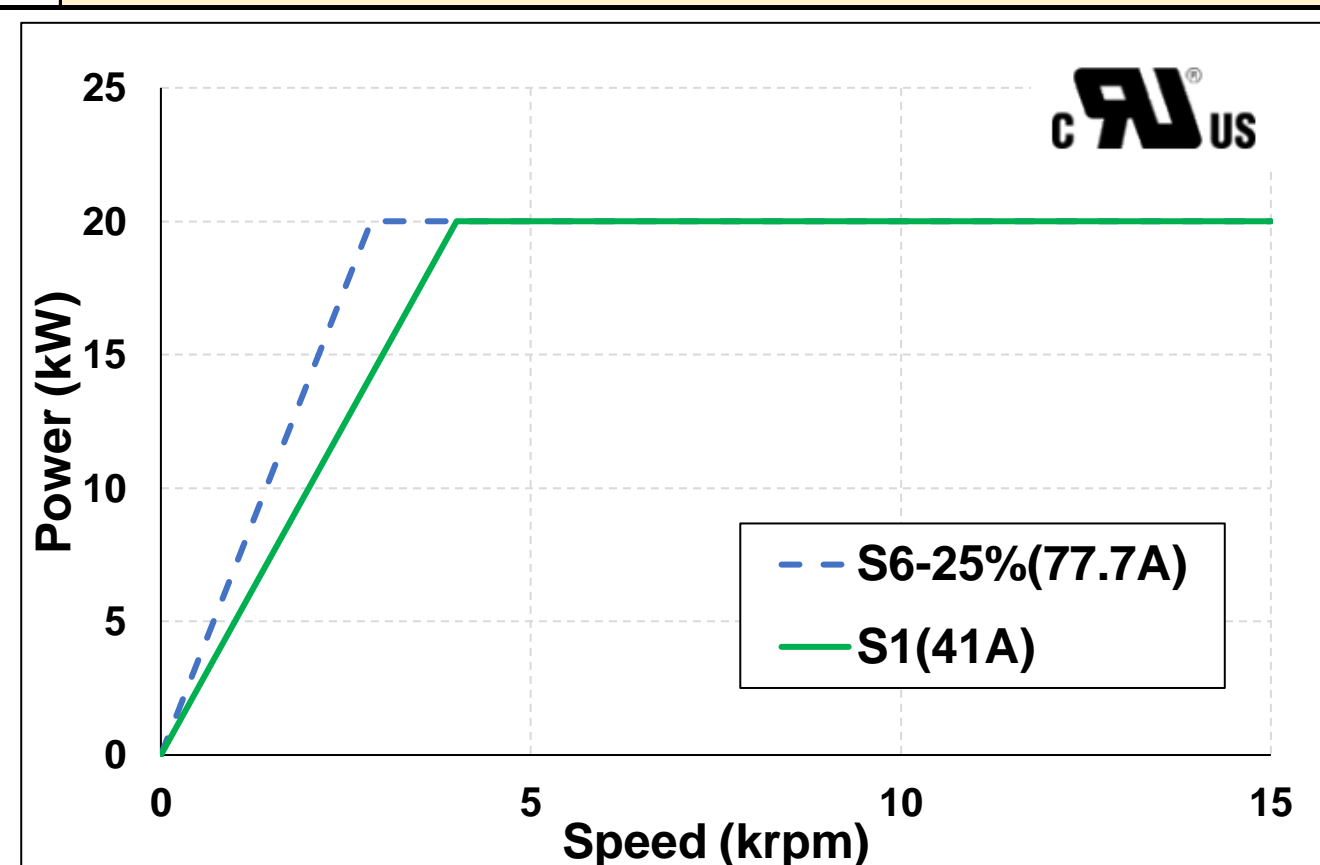
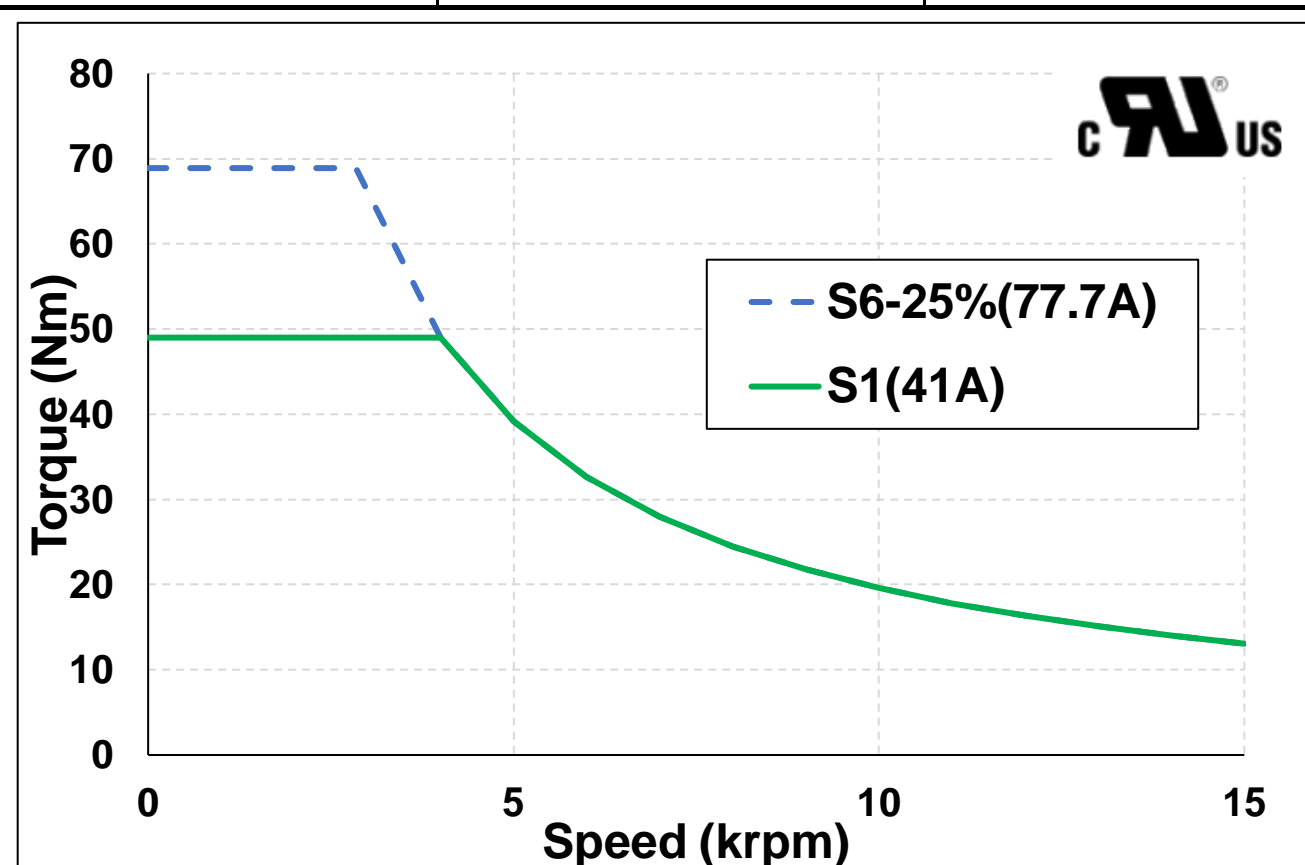
Pages : 1

Version : 2.00

Date : 2022/9/6

Electrical Data

Parameter	Symbol	Unit	Value
Rated power	$P_c$	kW	20
Rated speed	$n_c$	rpm	4,000
Rated torque	$T_c$	Nm	49
Rated current	$I_c$	Arms	41
Max. speed	$n_{max}$	rpm	15,000
Max. torque (S6-25%)	$T_{max}$	Nm	68.9
Max. current (S6-25%)	$I_{max}$	Arms	77.7
Motor limit current	$I_{limit}$	Arms	82
Back emf constant (line-line)	$K_v$	Vrms / krpm	93.5
Torque constant	$K_t$	Nm/Arms	1.195
Resistance (line-line)(@20°C)	$R_{20}$	$\Omega$	0.52
Inductance (line-line)	$L$	mH	2.99
D-axis Inductance (Phase)	$L_d$	mH	2.16
Q-axis Inductance (Phase)	$L_q$	mH	2.22
Additional Inductance	$L_{add}$	mH	0.131
Inertia of rotor	$J$	kgm <sup>2</sup>	0.008
Number of poles	2P	—	4
Motor voltage	—	$V_{AC}$	380



Remark:

1. The data for duty type S6 are valid for a 1 min. duty cycle.

Pages : 2

Version : 2.00

Date : 2022/9/6