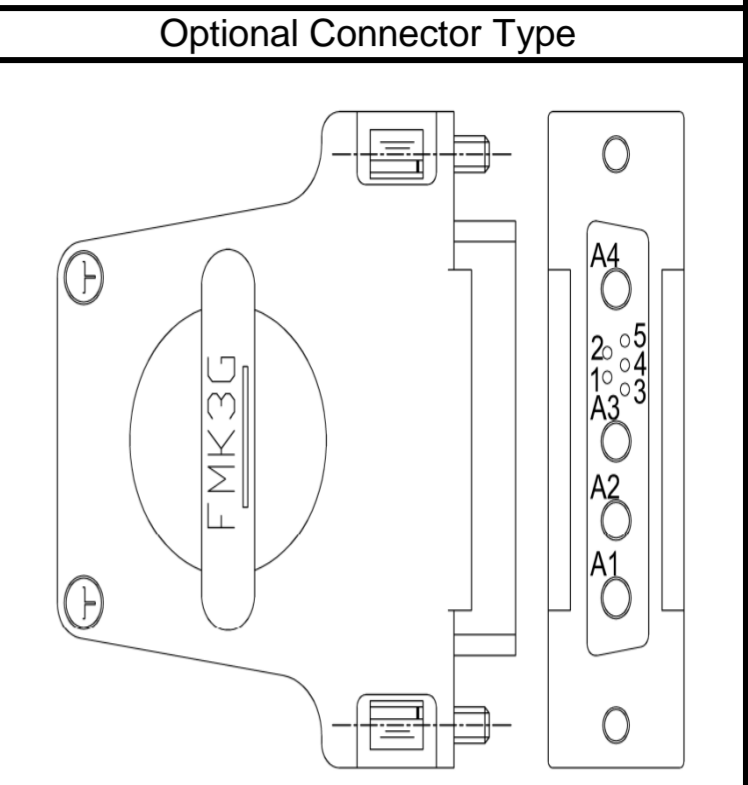
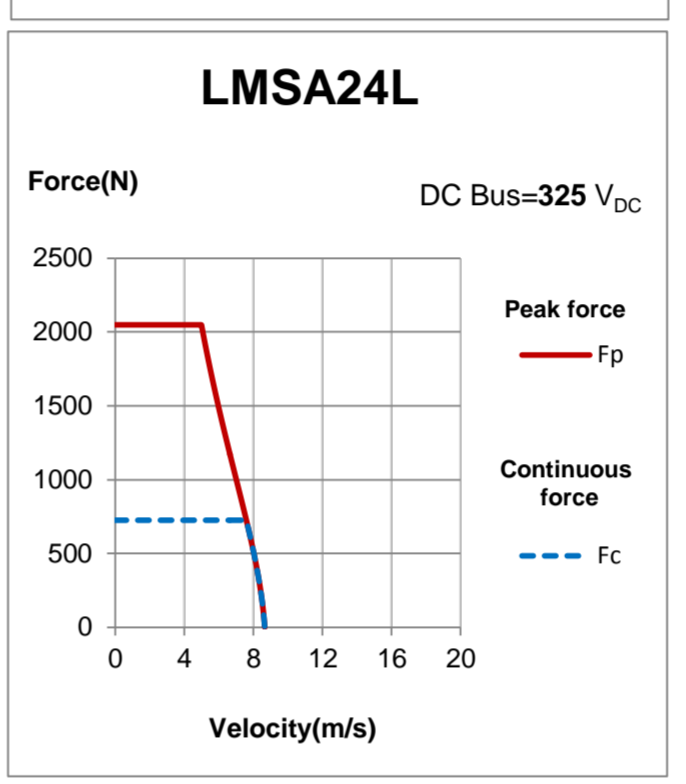
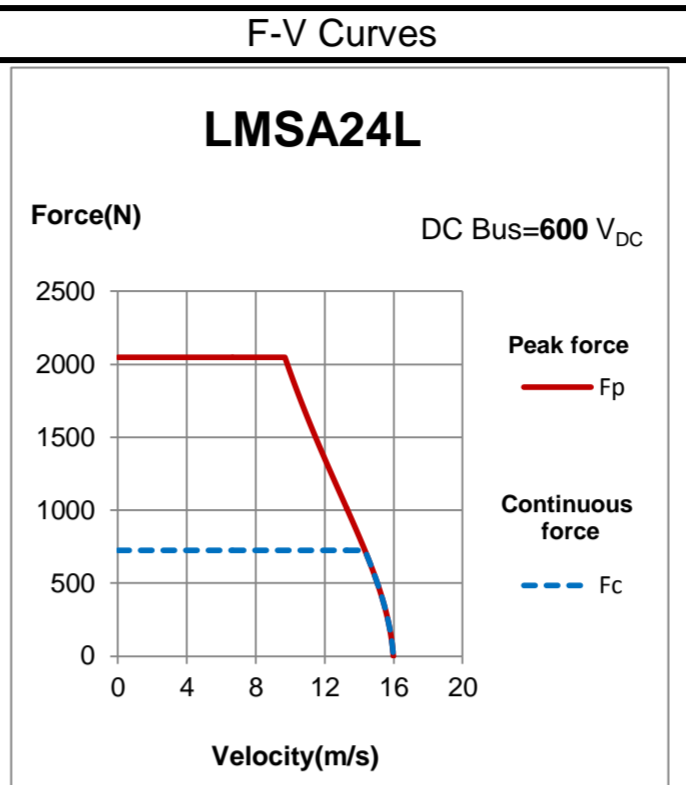


LMSA24L

Linear Motor

Electrical Specifications			
	Symbol	Unit	LMSA24L
Continuous force (at 120°C)	F_c	N	725
Continuous current (at 120°C)	I_c	A(rms)	17.5
Peak force (for 1 sec.)	F_p	N	2048
Peak current (for 1 sec.)	I_p	A(rms)	52.5
Ultimate force (for 0.5 sec.)	F_u	N	2682
Ultimate current (for 0.5 sec.)	I_u	A(rms)	87.6
Force constant	K_f	N/A(rms)	41.4
Attraction force	F_a	N	3851
Max. winding temp.	T_{max}	°C	120
Electrical time constant	K_e	ms	4.7
Resistance (line to line at 25°C)	R_{25}	Ω	0.7
Resistance (line to line at 120°C)	R_{120}	Ω	0.9
Inductance (line to line)	L	mH	3.2
Pole pair pitch	2τ	mm	30
Minimum bending radius of cable	R_{bend}	mm	69
Back emf constant (line to line)	K_v	Vrms/(m/s)	23.9
Motor constant (at 25°C)	K_m	N/ \sqrt{W}	40.8
Thermal resistance	R_{TH}	°C/W	0.22
Thermal time constant	t_{TH}	s	-
Thermal switch	-	-	3 PTC SNM120 In Series
Max. DC bus voltage	-	V_{DC}	600

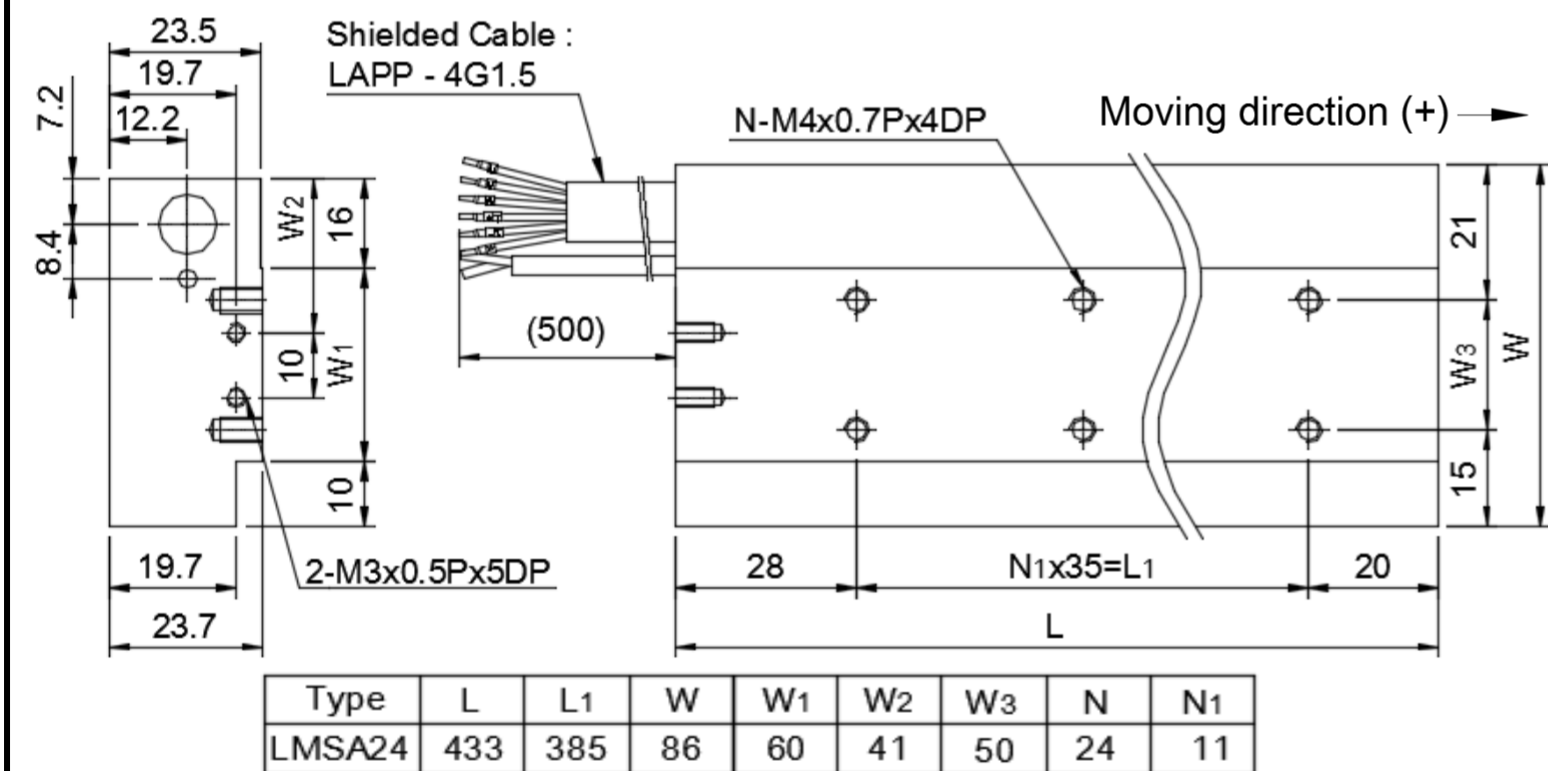
Mechanical Specifications			
Mass of forcer	M_f	kg	4.4
Unit mass of stator	M_s	kg/m	4.8
Width of stator	W_s	mm	86
Length of stator/Dimension N	L_s	mm	120mm/N=2, 180mm/N=3, 300mm/N=5
Stator mounting distance	W_{s1}	mm	74
Total height	H	mm	34



Wiring Diagram

FMK3G (Male)	Signal
A1	V
A2	U
A3	W
A4	GND
1	T+
3	T-
CASE	

Dimensions of forcer

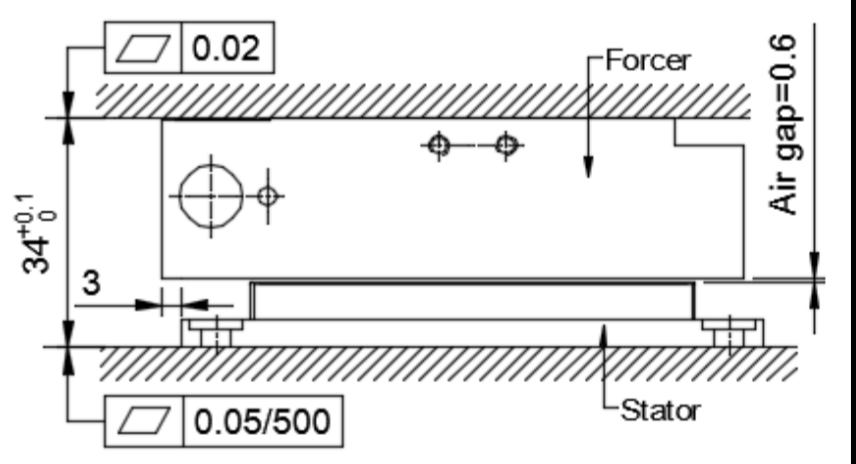


Wiring Diagram

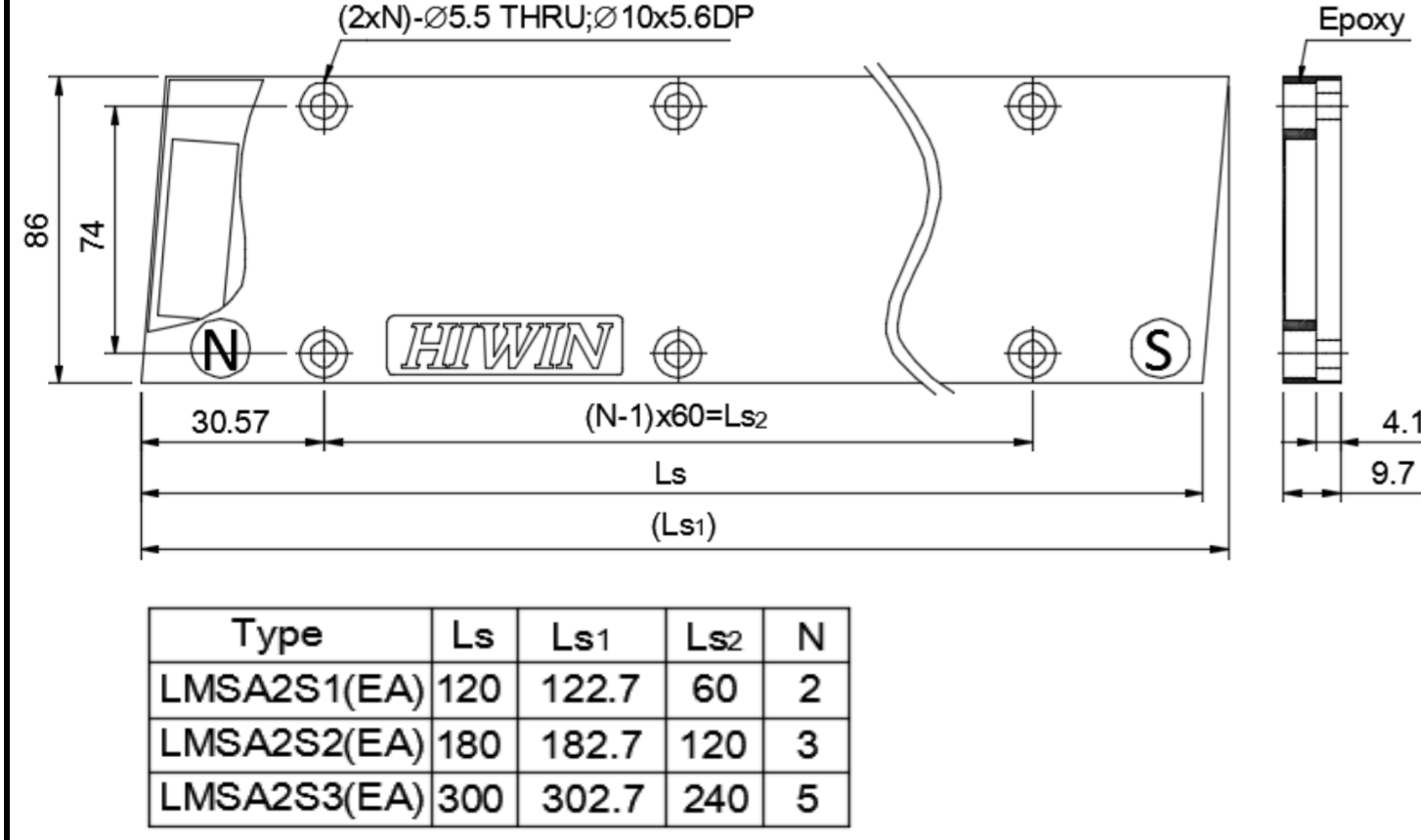
Signal	Color
U	1
V	2
W	3
GND	Y/G
T+	Brown
T-	Blue
Shield	Shield

PTC-SNM120

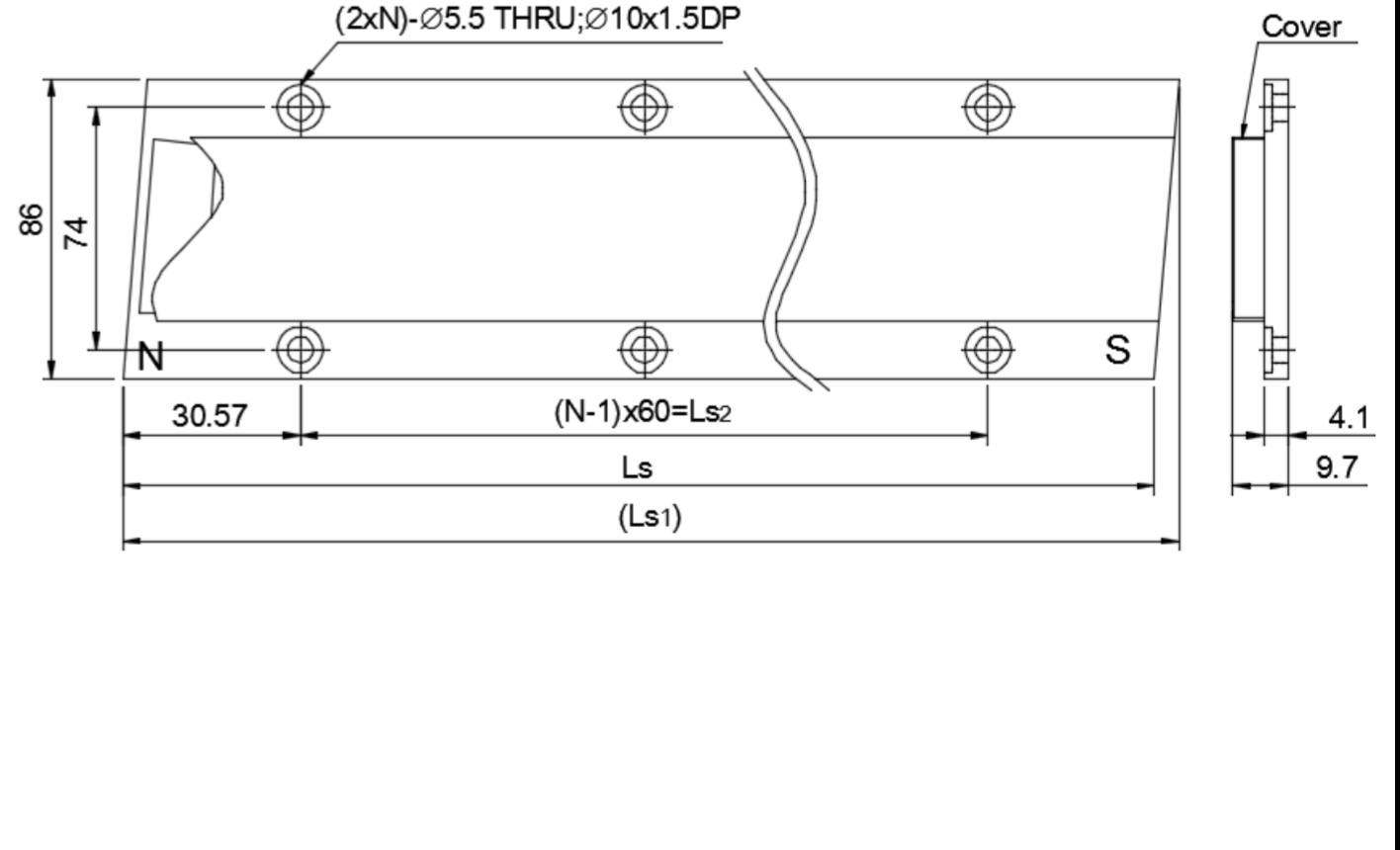
Mounting tolerances



Dimensions of stator LMSA2S □ EA



Dimensions of stator LMSA2S □



Note : Values in the table refer to operation without forced cooling.
 Except dimensions, all the electrical specifications in the table are in $\pm 10\%$ of tolerance.
 The specifications in this catalog are subject to change without notification.

Version	1.1
Date	2017/1/17