

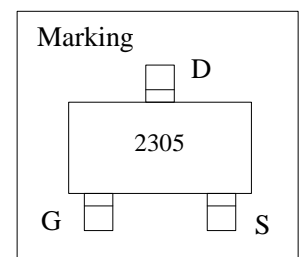
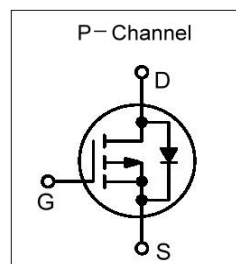
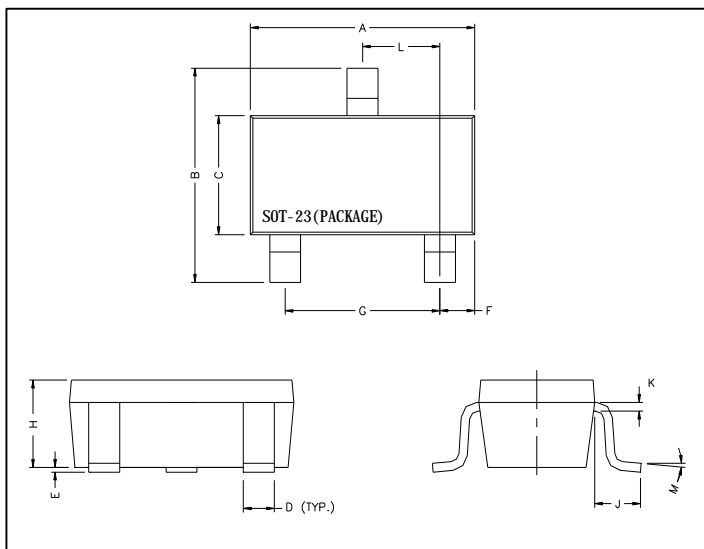
YGMOS Technology Crop.

20V P-Channel Enhancement-Mode MOSFET 20V P 沟道增强型 MOS 管

VDS= -20V
RDS(ON), Vgs@- 4.5V, Ids@- 4.7A = 60mΩ
RDS(ON), Vgs@-2.5V, Ids@-1.0A = 100mΩ
Features 特性

Advanced trench process technology 高级的加工技术

High Density Cell Design For Ultra Low On-Resistance 极低的导通电阻高密度的单元设计

Package Dimensions 封装尺寸及外形图


REF.	Millimeter		REF.	Millimeter	
	Min.	Max.		Min.	Max.
A	2.70	3.10	G	1.90	REF.
B	2.40	2.80	H	1.00	1.30
C	1.40	1.60	K	0.10	0.20
D	0.35	0.50	J	0.40	-
E	0	0.10	L	0.85	1.15
F	0.45	0.55	M	0°	10°

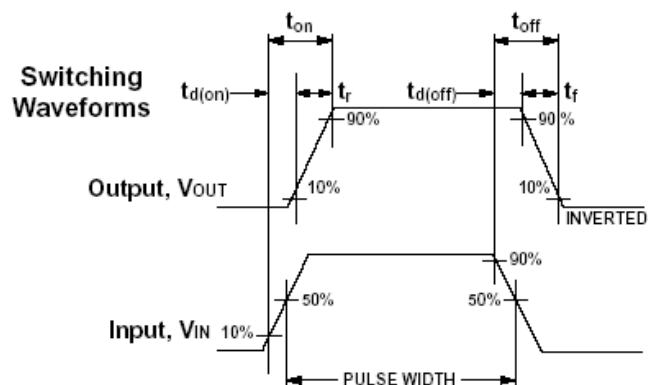
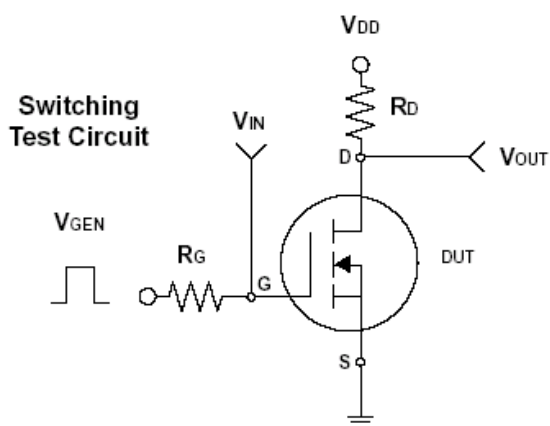
Maximum Ratings and Thermal Characteristics (TA = 25°C unless otherwise noted) 25°C 极限参数和热特性

Parameter 极限参数	Symbol 符号	Limit 范围	Unit 单位	
Drain-Source Voltage 漏源电压	V _{DS}	-20	V	
Gate-Source Voltage 栅源电压	V _{GS}	± 12		
Continuous Drain Current 连续漏极电流	I _D	-4.7	A	
Pulsed Drain Current 脉冲漏极电流	I _{DM}	-20		
Maximum Power Dissipation 最大耗散功率	P _D	TA = 25°C	1.1	W
		TA = 75°C	0.7	
Operating Junction and Storage Temperature Range 使用及储存温度	T _J , T _{stg}	-55 to 150	°C	
Junction-to-Ambient Thermal Resistance (PCB mounted) 结环热阻	R _{θJA}	110	°C/W	

YGMOS Technology Crop.
ELECTRICAL CHARACTERISTICS 一般电气特性

Parameter 参数	符号	Test Condition 测试条件	最小值	典型值	最大值	单位
Static 静态参数						
Drain-Source Breakdown Voltage 漏源击穿电压	BV_{DSS}	$V_{GS} = 0V, I_D = 250\mu A$	-20			V
Drain-Source On-State Resistance 漏源导通电阻	$R_{DS(on)}$	$V_{GS} = -4.5V, I_D = -4.7A$		48.0	60.0	mΩ
Drain-Source On-State Resistance 漏源导通电阻	$R_{DS(on)}$	$V_{GS} = -2.7V, I_D = -3.8A$		63.0	90.0	
Drain-Source On-State Resistance 漏源导通电阻	$R_{DS(on)}$	$V_{GS} = -2.5V, I_D = -1.0A$		65.0	100.0	
Gate Threshold Voltage 开启电压	$V_{GS(th)}$	$V_{DS} = V_{GS}, I_D = -250\mu A$	-0.6	-0.85	-1.4	V
Zero Gate Voltage Drain Current 零栅压漏极电流	I_{DSS}	$V_{DS} = -20V, V_{GS} = 0V$			-1	μA
Gate Body Leakage 漏极短路时截止栅电流	I_{GSS}	$V_{GS} = \pm 12V, V_{DS} = 0V$			±100	nA
Forward Transconductance 正向跨导	g_{fs}	$V_{DS} = -10V, I_D = -4.7A$		8.0	—	S
Dynamic 动态参数						
Total Gate Charge 栅极总电荷	Q_g	$V_{DS} = -10V, I_D = -4.7A$ $V_{GS} = -4.5V$		24	36	nC
Gate-Source Charge 栅-源极电荷	Q_{gs}			18		
Gate-Drain Charge 栅-漏极电荷	Q_{gd}			2.7		
Turn-On Delay Time 导通延迟时间	$t_{d(on)}$	$V_{DD} = -10V, R_L = 10\Omega$ $I_D = -1A, V_{GEN} = -4.5V$ $R_G = 6\Omega$		22	35	ns
Turn-On Rise Time 导通上升时间	t_r			35	55	
Turn-Off Delay Time 关断延迟时间	$t_{d(off)}$			45	70	
Turn-Off Fall Time 关断下降时间	t_f			25	40	
Input Capacitance 输入电容	C_{iss}	$V_{DS} = -6V, V_{GS} = 0V$ $f = 1.0\text{ MHz}$		837		pF
Output Capacitance 输出电容	C_{oss}			223		
Reverse Transfer Capacitance 反向传输电容	C_{rss}			87		
Source-Drain Diode 源漏二极管参数						
Max. Diode Forward Current 最大正向电流	I_S				-1.7	A
Diode Forward Voltage 正向电压	V_{SD}	$I_S = -1.7A, V_{GS} = 0V$			-1.2	V

Note: Pulse test: pulse width ≤ 300us, duty cycle ≤ 2% 注意: 脉冲测试: 脉冲宽度 ≤ 300us 死区 ≤ 2%



YGMOS Technology Corp.

Characteristics Curve 电气性能特征曲线

Typical Characteristics (T_J = 25° •Noted)
