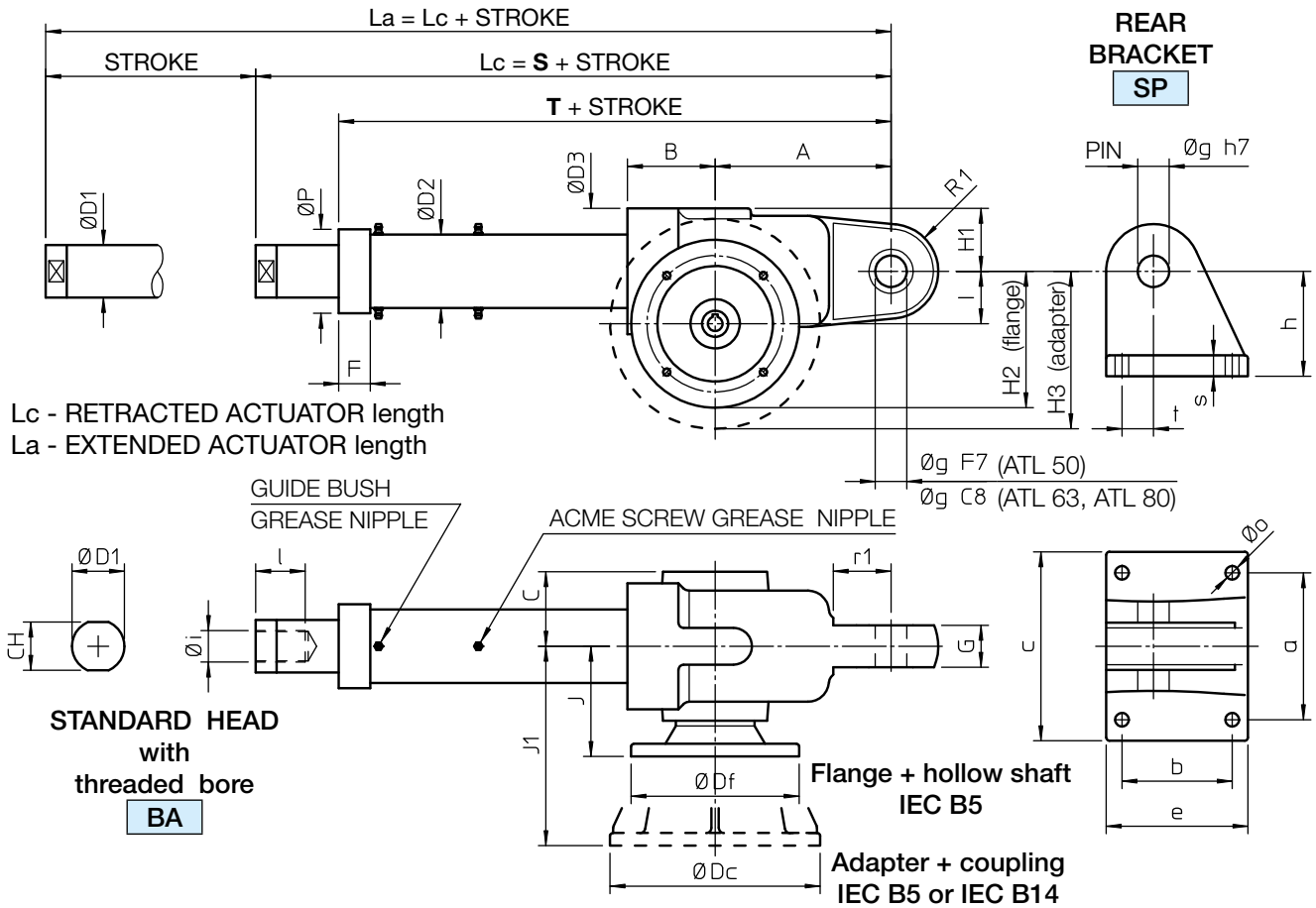


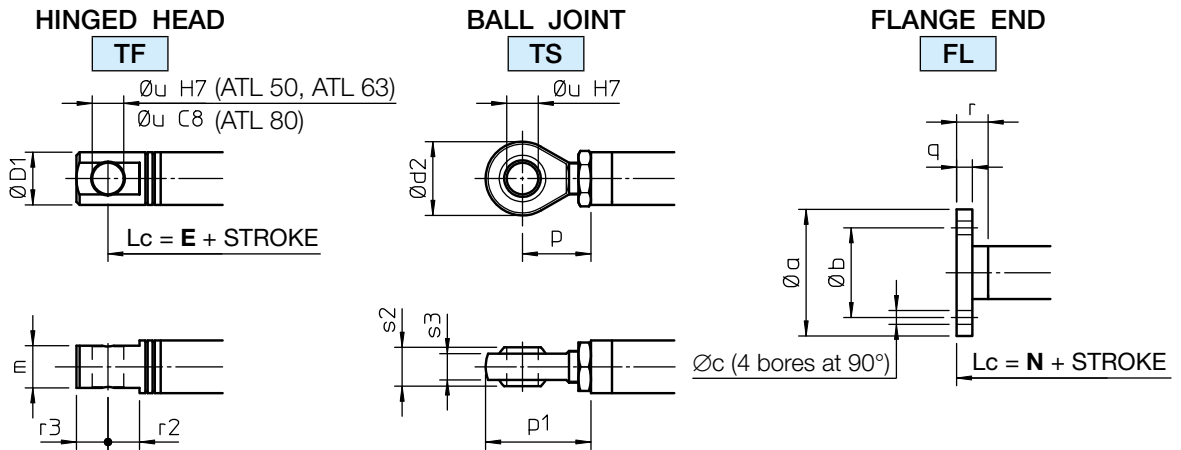
Linear actuators ATL Series

ACME SCREW LINEAR ACTUATORS ATL Series, size 50 – 63 – 80
AC 3-phase MOTOR – with Electric Stroke Limit Device FCE

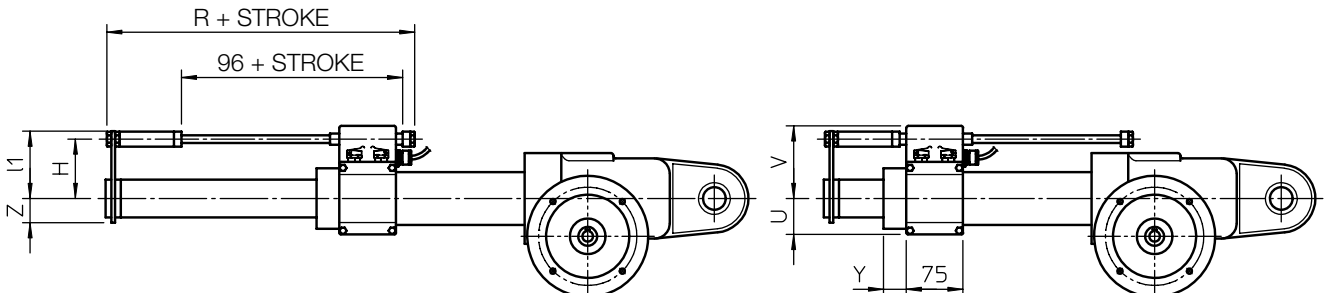
2



FRONT ATTACHMENTS



ELECTRIC STROKE LIMIT DEVICE FCE



Linear actuators ATL Series

ACME SCREW LINEAR ACTUATORS ATL Series, size 50 – 63 – 80
AC 3-phase MOTOR – with Electric Stroke Limit Device FCE

STANDARD STROKE LENGTHS

	STROKE CODE	C100	C200	C300	C400	C500	C600	C700	C800	S	T	E	N
ATL 50	STROKE [mm]	100	200	300	400	500	600	700	800	405	326	435	415
ATL 63										516	419	546	526
ATL 80										603	509	638	623

NOTE: Different stroke lengths available on request. $L_a = L_c + \text{STROKE}$

For stroke lengths longer than 800 mm it is necessary to increase the guided length between push rod and outer tube to avoid axial backlash. Dimensions **S**, **T**, **E** and **N** shall be considered increased by 200 mm for stroke lengths up to 1500 mm.

For stroke lengths longer than 1500 mm, please, contact SERVOMECH.

	A	B	CH	∅ D1	∅ D2	∅ D3	F	G	H1	I	∅ P	R1
ATL 50	168	94	79	50	70	120	—	40	63	50	—	45
ATL 63	206	96	—	60	90	140	37	50	70	63	95	50
ATL 80	240	119	—	90	115 (150)*	160	40	60	90	80	125 (150)*	60

* - value in brackets refers to ATL 80 with AR; ATL 80 with AR not available with FCE

	a	b	c	e	∅ g	h	∅ i	l	∅ o	r1	s	t
ATL 50	140	105	185	143	30	100	M30×2	45	13	55	20	30
ATL 63	180	120	228	160	35	120	M36×2	55	17	58	30	30
ATL 80	210	122	278	180	40	130	M42×2	65	21	62	35	32

	Flange IEC	∅ Df	H2	J	Adapter IEC	∅ Dc	H3	J1
ATL 50	63 B5	140	120	102	80 B14 – 80 B5	120 – 200	110 – 150	176 – 182
	71 B5	160	130	102	90 B14 – 90 B5	140 – 200	120 – 150	182
ATL 63	80 B5	200	163	100	90 B14 – 90 B5	140 – 200	133 – 163	200
					100 B14 – 100 B5	160 – 250	143 – 188	220
ATL 80	80 B5; 90 B5	200	180	119	112 B14 – 112 B5	160 – 250	160 – 205	240

FRONT ATTACHMENT Dimensions

	∅ a	∅ b	∅ c	∅ D1	∅ d2	m	p	p1
ATL 50	120	85	13	50	70	80	65	100
ATL 63	140	100	17	60	80	85	86	126
ATL 80	170	130	21	90	90	100	85	130

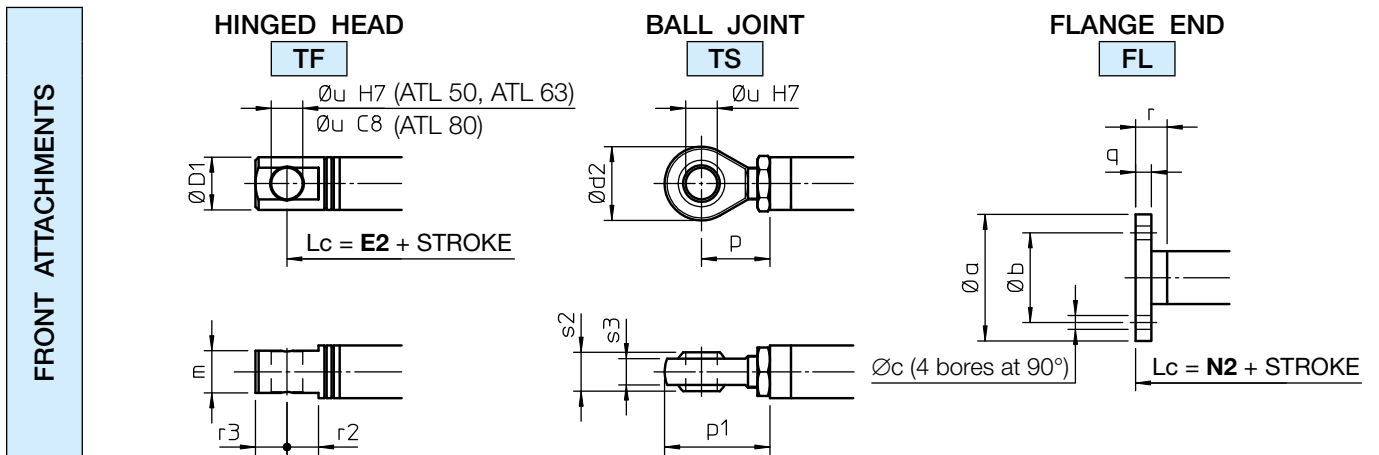
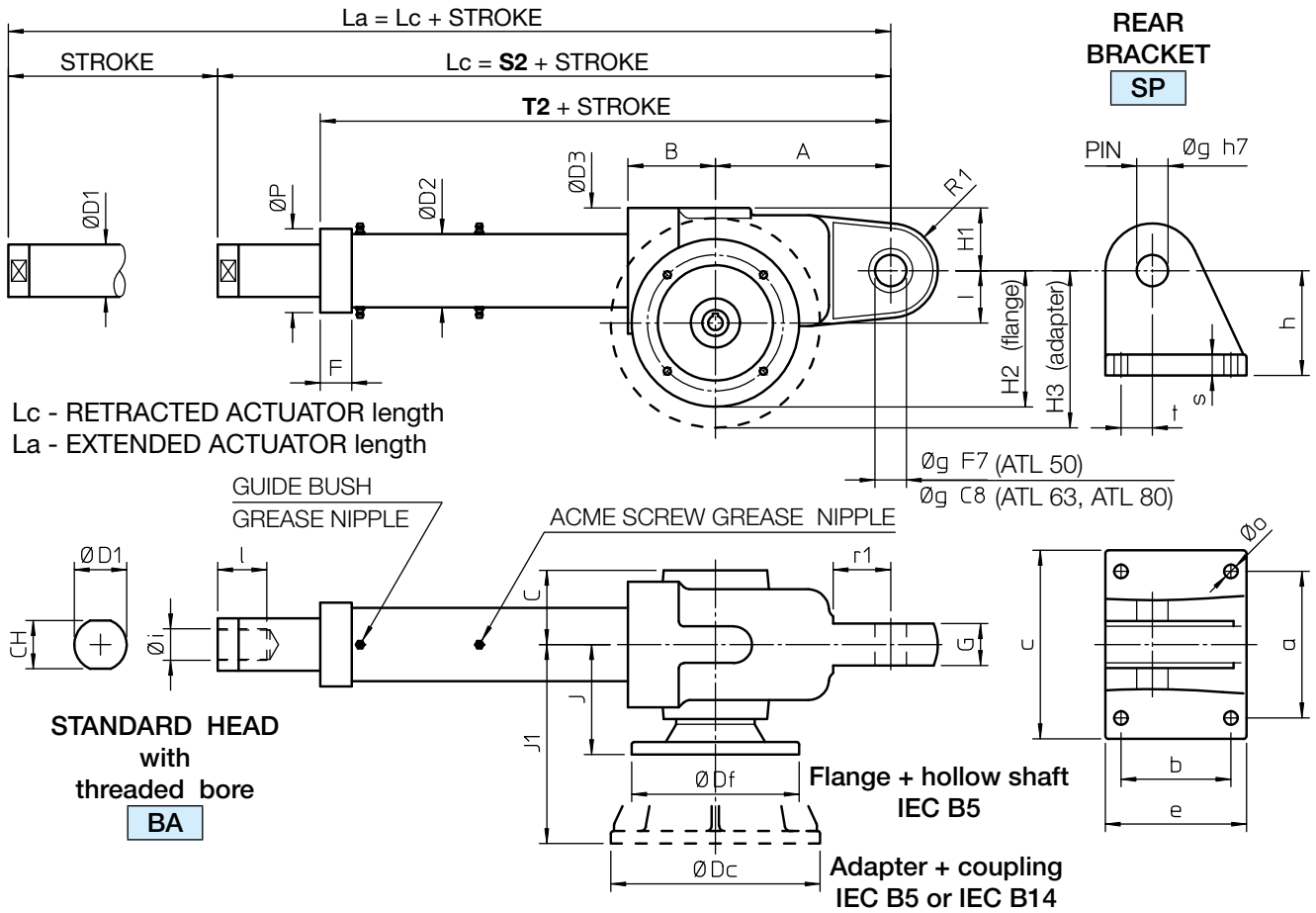
	q	r	r2	r3	s2	s3	∅ u
ATL 50	15	30	30	30	37	25	30
ATL 63	15	30	30	35	43	28	35
ATL 80	20	40	35	45	49	33	40

ELECTRIC STROKE LIMIT DEVICE FCE Dimensions

	H	R	U	V	Y	Z	l1
ATL 50	79	188	50	97	5	32	89
ATL 63	89	237	60	107	37	37	100
ATL 80	101	237	73	119	40	55	113

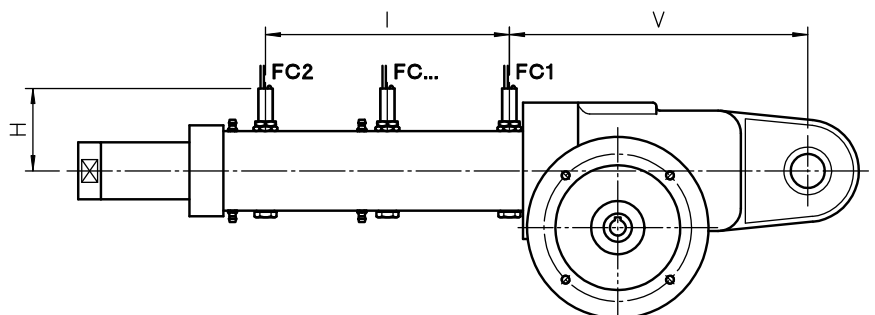
Linear actuators ATL Series

ACME SCREW LINEAR ACTUATORS ATL Series, size 50 – 63 – 80
AC 3-phase MOTOR – Proximity Stroke Limit Switches FCP



PROXIMITY STROKE LIMIT SWITCHES FCP Dimensions

	H	V	V1
ATL 50	79.5	263	15
ATL 63	86.5	314	40
ATL 80	99	371	40



Linear actuators ATL Series

ACME SCREW LINEAR ACTUATORS ATL Series, size 50 – 63 – 80 AC 3-phase MOTOR – Proximity Stroke Limit Switches FCP STANDARD STROKE LENGTHS

	STROKE CODE	C100	C200	C300	C400	C500	C600	C700	C800	S2	T2	E2	N2
ATL 50	STROKE [mm]	100	200	300	400	500	600	700	800	443	345	473	453
ATL 63										554	438	584	564
ATL 80										647	531	682	667

NOTE: Different stroke lengths available on request. $L_a = L_c + \text{STROKE}$

For stroke lengths longer than 800 mm it is necessary to increase the guided length between push rod and outer tube to avoid axial backlash. Dimensions **S2**, **T2**, **E2** and **N2** shall be considered increased by 200 mm for stroke lengths up to 1500 mm.

For stroke lengths longer than 1500 mm, please, contact SERVOMECH.

	A	B	CH	∅ D1	∅ D2	∅ D3	F	G	H1	I	∅ P	R1
ATL 50	168	94	79	50	70	120	—	40	63	50	—	45
ATL 63	206	96	—	60	90	140	37	50	70	63	95	50
ATL 80	240	119	—	90	115 (150)*	160	40	60	90	80	125 (150)*	60

* - value in brackets refers to ATL 80 with AR

	a	b	c	e	∅ g	h	∅ i	l	∅ o	r1	s	t
ATL 50	140	105	185	143	30	100	M30×2	45	13	55	20	30
ATL 63	180	120	228	160	35	120	M36×2	55	17	58	30	30
ATL 80	210	122	278	180	40	130	M42×2	65	21	62	35	32

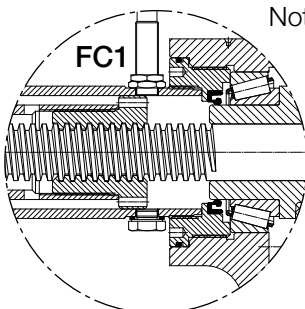
	Flange IEC	∅ Df	H2	J	Adapter IEC	∅ Dc	H3	J1
ATL 50	63 B5	140	120	102	80 B14 – 80 B5	120 – 200	110 – 150	176 – 182
	71 B5	160	130	102	90 B14 – 90 B5	140 – 200	120 – 150	182
ATL 63	80 B5	200	163	100	90 B14 – 90 B5	140 – 200	133 – 163	200
					100 B14 – 100 B5	160 – 250	143 – 188	220
ATL 80	80 B5; 90 B5	200	180	119	112 B14 – 112 B5	160 – 250	160 – 205	240

FRONT ATTACHMENT Dimensions

	∅ a	∅ b	∅ c	∅ D1	∅ d2	m	p	p1
ATL 50	120	85	13	50	70	80	65	100
ATL 63	140	100	17	60	80	85	86	126
ATL 80	170	130	21	90	90	100	85	130

	q	r	r2	r3	s2	s3	∅ u
ATL 50	15	30	30	30	37	25	30
ATL 63	15	30	30	35	43	28	35
ATL 80	20	40	35	45	49	33	40

PROXIMITY STROKE LIMIT SWITCHES FCP Technical features



- Note: - The PROXIMITY SWITCH FC1, when activated, gives a signal to stop the motor by means of electric relays before the actuator reaches its minimal retracted length. The RETRACTED ACTUATOR LENGTH (L_c) and EXTENDED ACTUATOR LENGTH (L_a) of the actuator equipped with PROXIMITY SWITCHES FCP are longer than L_a and L_c of the actuator with electric stroke limit device FCE or without stroke end switches.
- Additional PROXIMITY SWITCHES are available for intermediate positions.
 - The minimum distance between the PROXIMITY SWITCHES must be of at least 25 mm.