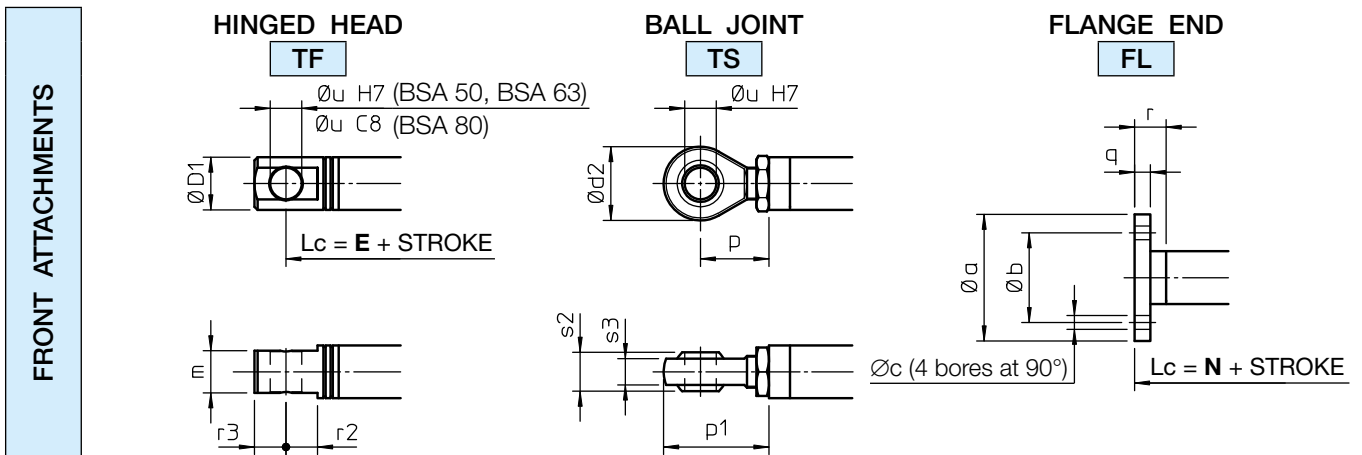
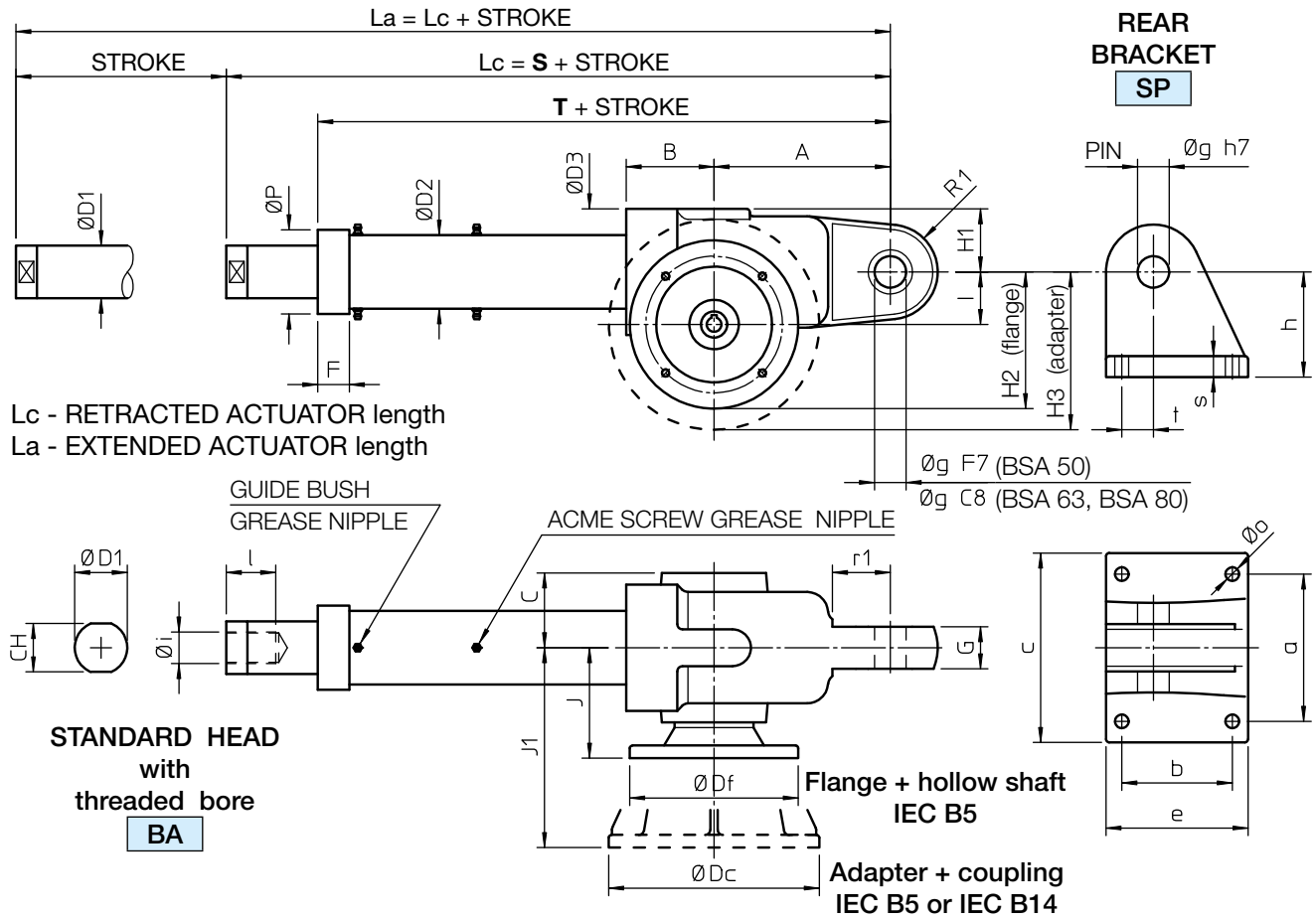
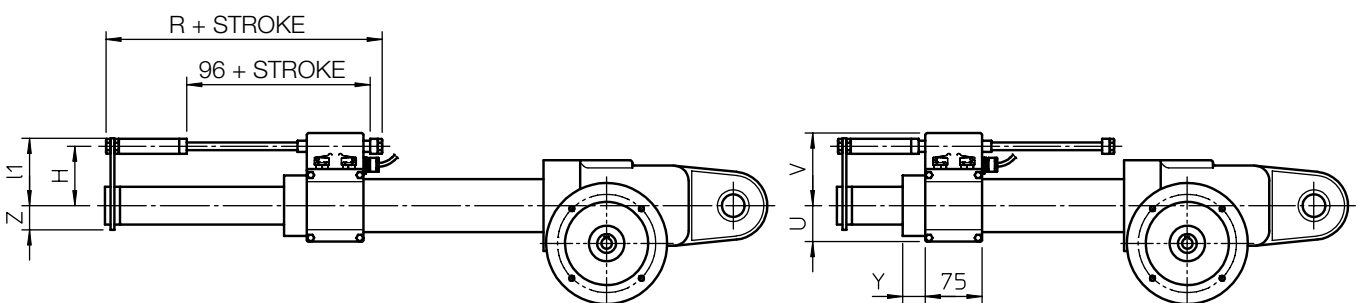


# Linear actuators BSA Series

**BALL SCREW LINEAR ACTUATORS BSA Series, size 50 – 63 – 80**  
**AC 3-phase MOTOR – with Electric Stroke Limit Device FCE**



## ELECTRIC STROKE LIMIT DEVICE FCE



## Linear actuators BSA Series

**BALL SCREW LINEAR ACTUATORS BSA Series, size 50 – 63 – 80**  
**AC 3-phase MOTOR – with Electric Stroke Limit Device FCE**

### STANDARD STROKE LENGTHS

	STROKE CODE	C100	C200	C300	C400	C500	C600	C700	C800	S	T	E	N
<b>BSA 50</b>	<b>STROKE [mm]</b>	100	200	300	400	500	600	700	800	<b>481</b>	<b>394</b>	<b>511</b>	<b>491</b>
<b>BSA 63</b>										<b>571</b>	<b>467</b>	<b>601</b>	<b>581</b>
<b>BSA 80</b>											<b>673</b>	<b>576</b>	<b>708</b>

NOTE: Different stroke lengths available on request.  $L_a = L_c + \text{STROKE}$

For stroke lengths longer than 800 mm it is necessary to increase the guided length between push rod and outer tube to avoid axial backlash. Dimensions **S**, **T**, **E** and **N** shall be considered increased by 200 mm for stroke lengths up to 1500 mm.

For stroke lengths longer than 1500 mm, please, contact SERVOMECH.

	A	B	CH	∅ D1	∅ D2	∅ D3	F	G	H1	I	∅ P	R1
<b>BSA 50</b>	168	94	79	50	70	120	—	40	63	50	—	45
<b>BSA 63</b>	206	96	—	60	90	140	37	50	70	63	95	50
<b>BSA 80</b>	240	119	—	90	115	160	40	60	90	80	125	60

	a	b	c	e	∅ g	h	∅ i	l	∅ o	r1	s	t
<b>BSA 50</b>	140	105	185	143	30	100	M30×2	45	13	55	20	30
<b>BSA 63</b>	180	120	228	160	35	120	M36×2	55	17	58	30	30
<b>BSA 80</b>	210	122	278	180	40	130	M42×2	65	21	62	35	32

	Flange IEC	∅ Df	H2	J	Adapter IEC	∅ Dc	H3	J1
<b>BSA 50</b>	63 B5	140	120	102	80 B14 – 80 B5	120 – 200	110 – 150	176 – 182
	71 B5	160	130	102	90 B14 – 90 B5	140 – 200	120 – 150	182
<b>BSA 63</b>	80 B5	200	163	100	90 B14 – 90 B5	140 – 200	133 – 163	200
					100 B14 – 100 B5	160 – 250	143 – 188	220
<b>BSA 80</b>	80 B5; 90 B5	200	180	119	112 B14 – 112 B5	160 – 250	160 – 205	240

### FRONT ATTACHMENT Dimensions

	∅ a	∅ b	∅ c	∅ D1	∅ d2	m	p
<b>BSA 50</b>	120	85	13	50	70	80	65
<b>BSA 63</b>	140	100	17	60	80	85	86
<b>BSA 80</b>	170	130	21	90	90	100	85

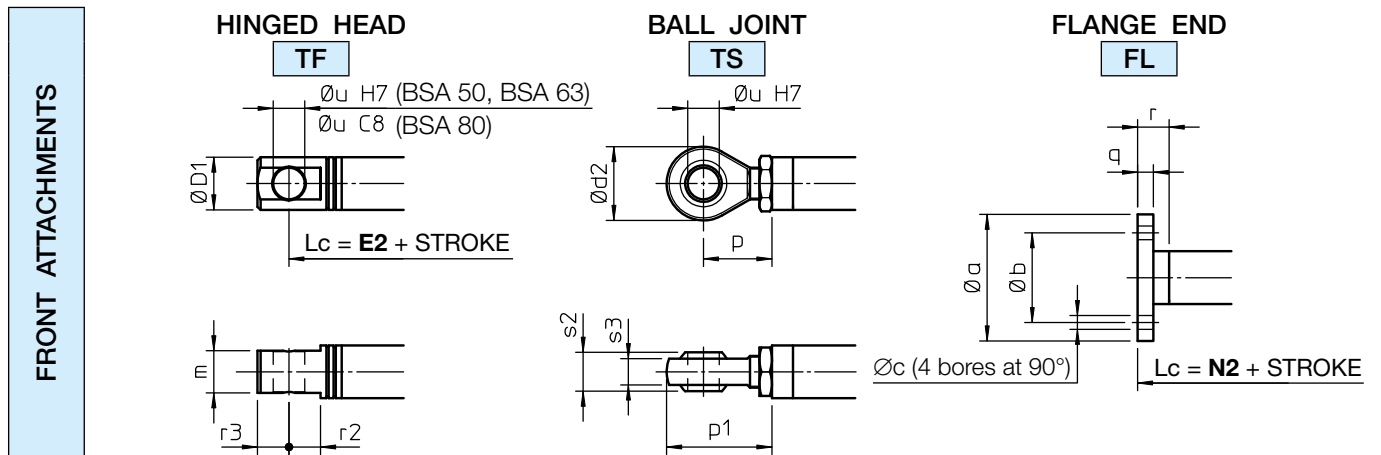
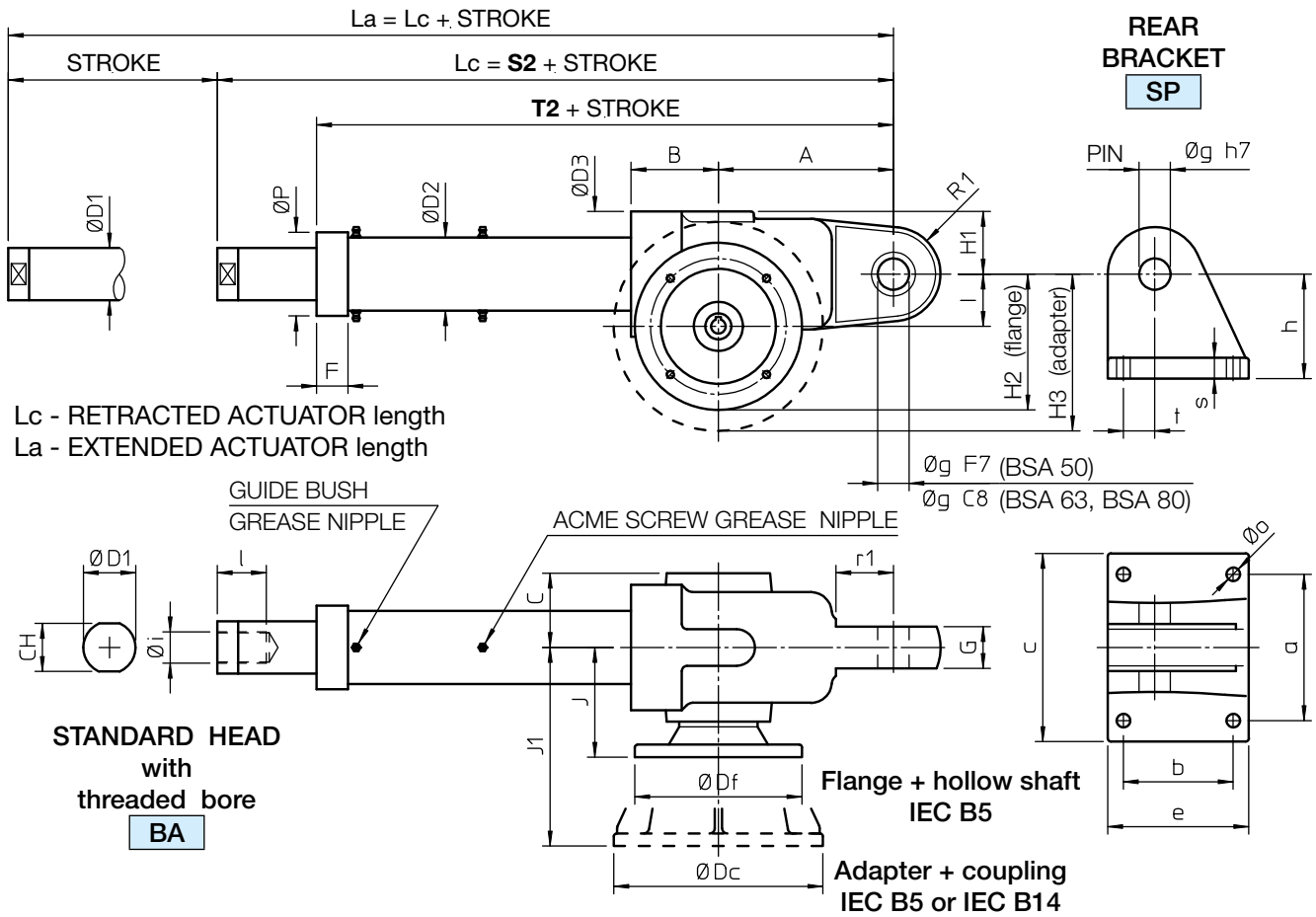
	p1	q	r	r2	r3	s2	s3	∅ u
<b>BSA 50</b>	100	15	30	30	30	37	25	30
<b>BSA 63</b>	126	15	30	30	35	43	28	35
<b>BSA 80</b>	130	20	40	35	45	49	33	40

### ELECTRIC STROKE LIMIT DEVICE FCE Dimensions

	H	R	U	V	Y	Z	l1
<b>BSA 50</b>	79	188	50	97	5	32	89
<b>BSA 63</b>	89	237	60	107	37	37	100
<b>BSA 80</b>	101	237	73	119	40	55	113

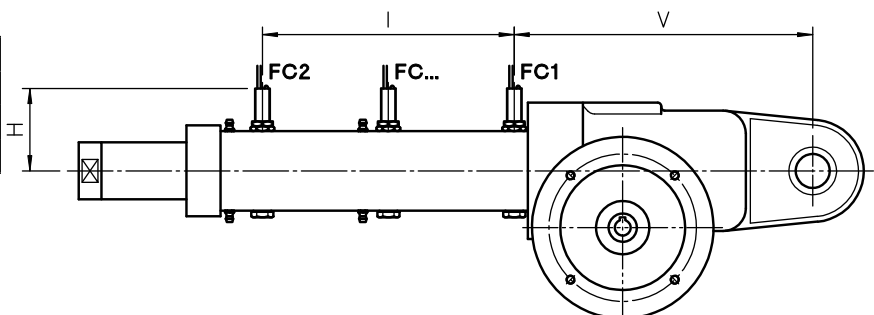
# Linear actuators BSA Series

BALL SCREW LINEAR ACTUATORS BSA Series, size 50 – 63 – 80  
AC 3-phase MOTOR – Proximity Stroke Limit Switches FCP



## PROXIMITY STROKE LIMIT SWITCHES FCP Dimensions

	H	V	V1
ATL 50	79.5	263	15
ATL 63	86.5	314	40
ATL 80	99	371	40



## Linear actuators BSA Series

**BALL SCREW LINEAR ACTUATORS BSA Series, size 50 – 63 – 80**  
**AC 3-phase MOTOR – Proximity Stroke Limit Switches FCP**

### STANDARD STROKE LENGTHS

	STROKE CODE	C100	C200	C300	C400	C500	C600	C700	C800	S2	T2	E2	N2
<b>BSA 50</b>	<b>STROKE [mm]</b>	100	200	300	400	500	600	700	800	<b>497</b>	<b>402</b>	<b>527</b>	<b>507</b>
<b>BSA 63</b>										<b>579</b>	<b>471</b>	<b>609</b>	<b>589</b>
<b>BSA 80</b>										<b>673</b>	<b>576</b>	<b>708</b>	<b>693</b>

NOTE: Different stroke lengths available on request.  $L_a = L_c + \text{STROKE}$

For stroke lengths longer than 800 mm it is necessary to increase the guided length between push rod and outer tube to avoid axial backlash. Dimensions **S2**, **T2**, **E2** and **N2** shall be considered increased by 200 mm for stroke lengths up to 1500 mm.

For stroke lengths longer than 1500 mm, please, contact SERVOMECH.

	A	B	CH	∅ D1	∅ D2	∅ D3	F	G	H1	I	∅ P	R1
<b>BSA 50</b>	168	94	79	50	70	120	—	40	63	50	—	45
<b>BSA 63</b>	206	96	—	60	90	140	37	50	70	63	95	50
<b>BSA 80</b>	240	119	—	90	115	160	40	60	90	80	125	60

	a	b	c	e	∅ g	h	∅ i	l	∅ o	r1	s	t
<b>BSA 50</b>	140	105	185	143	30	100	M30×2	45	13	55	20	30
<b>BSA 63</b>	180	120	228	160	35	120	M36×2	55	17	58	30	30
<b>BSA 80</b>	210	122	278	180	40	130	M42×2	65	21	62	35	32

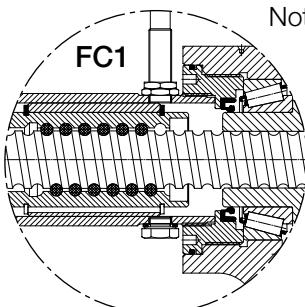
	Flange IEC	∅ Df	H2	J	Adapter IEC	∅ Dc	H3	J1
<b>BSA 50</b>	63 B5	140	120	102	80 B14 – 80 B5	120 – 200	110 – 150	176 – 182
	71 B5	160	130	102	90 B14 – 90 B5	140 – 200	120 – 150	182
<b>BSA 63</b>	80 B5	200	163	100	90 B14 – 90 B5	140 – 200	133 – 163	200
					100 B14 – 100 B5	160 – 250	143 – 188	220
<b>BSA 80</b>	80 B5; 90 B5	200	180	119	112 B14 – 112 B5	160 – 250	160 – 205	240

### FRONT ATTACHMENT Dimensions

	∅ a	∅ b	∅ c	∅ D1	∅ d2	m	p
<b>BSA 50</b>	120	85	13	50	70	80	65
<b>BSA 63</b>	140	100	17	60	80	85	86
<b>BSA 80</b>	170	130	21	90	90	100	85

	p1	q	r	r2	r3	s2	s3	∅ u
<b>BSA 50</b>	100	15	30	30	30	37	25	30
<b>BSA 63</b>	126	15	30	30	35	43	28	35
<b>BSA 80</b>	130	20	40	35	45	49	33	40

### PROXIMITY STROKE LIMIT SWITCHES FCP Technical features



- Note: - The PROXIMITY SWITCH FC1, when activated, gives a signal to stop the motor by means of electric relays before the actuator reaches its minimal retracted length. The RETRACTED ACTUATOR LENGTH ( $L_c$ ) and EXTENDED ACTUATOR LENGTH ( $L_a$ ) of the actuator equipped with PROXIMITY SWITCHES FCP are longer than  $L_a$  and  $L_c$  of the actuator with electric stroke limit device FCE or without stroke end switches.
- Additional PROXIMITY SWITCHES are available for intermediate positions.
  - The minimum distance between the PROXIMITY SWITCHES must be of at least 25 mm.