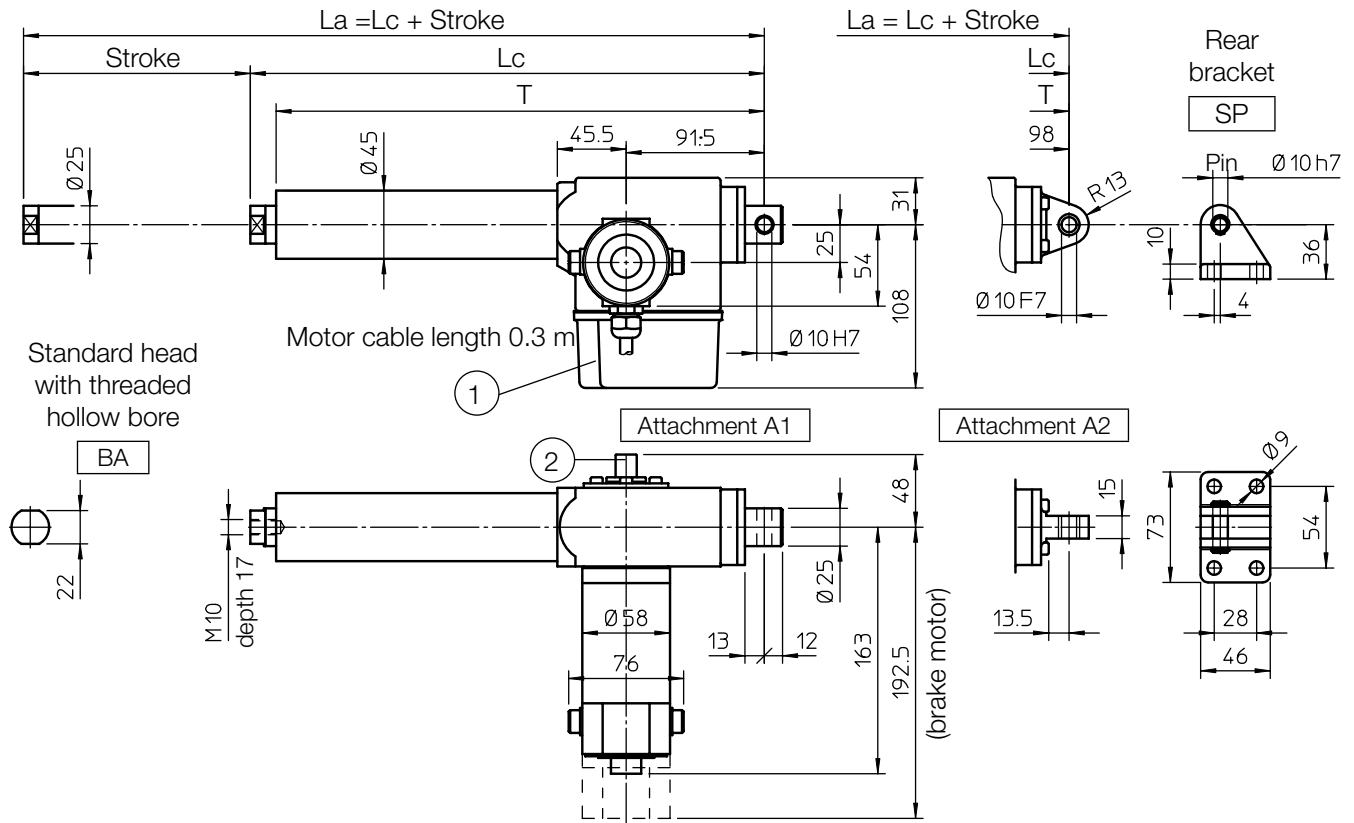


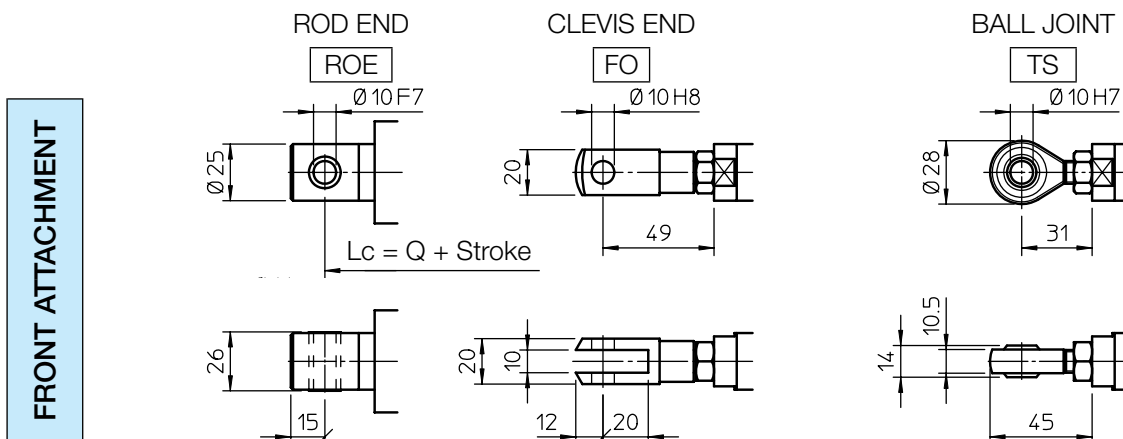
OVERALL DIMENSIONS



1. STROKE END SWITCHES BOX AND POTENTIOMETER
2. MOTOR SHAFT EXTENSION for:
 - Emergency manual activation
 - Stroke end switches and potentiometer adjustment

| Q [mm] | Attachment A1 | Attachment A2 |
|--------|---------------|---------------|
| | 253 | 260 |

| STROKE CODE | Actuator - Attachment A1 | | | | Actuator - Attachment A2 | | | | MASS [Kg] |
|-------------|--------------------------|---------|---------|--------|--------------------------|---------|---------|--------|-----------|
| | STROKE [mm] | LENGTH | | T [mm] | STROKE [mm] | LENGTH | | T [mm] | |
| | | Lc [mm] | La [mm] | | | Lc [mm] | La [mm] | | |
| C100 | 100 | 348 | 448 | 317 | 100 | 355 | 455 | 324 | 5.2 |
| C150 | 150 | 398 | 548 | 367 | 150 | 405 | 555 | 374 | 5.3 |
| C200 | 200 | 448 | 648 | 417 | 200 | 455 | 655 | 424 | 5.5 |
| C250 | 250 | 498 | 748 | 467 | 250 | 505 | 755 | 474 | 5.6 |
| C300 | 300 | 548 | 848 | 517 | 300 | 555 | 855 | 524 | 5.8 |
| C400 | 400 | 648 | 1048 | 617 | 400 | 655 | 1055 | 624 | 6.1 |



PERFORMANCES AND FEATURES

- Push load up to 5 000 N
- Pull load up to 4 000 N
- Linear speed up to 125 mm/s
- Standard stroke lengths:
100, 150, 200, 250, 300, 400 mm
- Ball screw BS 14 x 5 or BS 14 x 10
(technical details on page 66)
- Aluminium alloy housing
- Anodized aluminium outer tube
- Chrome-plated steel push rod – tolerance f7
- Rear attachment:
 - A1: zinc-plated steel rod end with bronze bush
 - A2: aluminium alloy with bronze bush
- Standard head BA or rod end ROE
in stainless steel AISI 303 with bronze bush
- 12 or 24 V DC brakemotor
(motor features details on page 69)
- Duty cycle with max load:
100% over 10 min at (-10 ... +40) °C
- Standard protection IP 54
- Standard motor mounting position as per sketch
(right-hand, code RH)
- Long-life lubrication, maintenance free

ACCESSORIES

- Different front attachments
- Stainless steel push rod (code SS)
- Rear bracket (code SP)
with rear attachment A2
- Mechanical overload protection:
safety clutch (code FS)
- Adjustable electric stroke end switches
(code FC2)
- Adjustable electric stroke end switches,
switching off the motor (code FC2X)
- Extra switch for intermediate position (code FC)
- Rotative potentiometer 5kOhm
for positioning control
(code POR5K)

NOTE: Extra limit switch and rotative potentiometer cannot be selected together

OPTIONS

- Motor mounting position on opposite side
(left-hand, code LH)
- Fixing attachment turned at 90° (code RPT 90)

PERFORMANCES with 24 V DC motor

(Performances with 12 V DC motor: same load, linear speed 10 % less, electrical consumption 2 times more)

| Ball screw BS 14 x 5 | | | |
|----------------------|----------|--------------|-------------|
| RATIO | LOAD [N] | SPEED [mm/s] | CURRENT [A] |
| RH1 | 800 | 63 | 4 |
| RV1 | 1260 | 40 | 4 |
| RN1 | 2350 | 20 | 4 |
| RL1 | 4130 | 10 | 4 |
| RXL1 | 5000 | 5 | 3 |

| Ball screw BS 14 x 10 | | | |
|-----------------------|----------|--------------|-------------|
| RATIO | LOAD [N] | SPEED [mm/s] | CURRENT [A] |
| RH2 | 410 | 125 | 4 |
| RV2 | 640 | 80 | 4 |
| RN2 | 1200 | 40 | 4 |
| RL2 | 2100 | 20 | 4 |

Self-locking conditions

Self-locking condition is achievable with brake motor only.

Information about statically self-locking conditions with pull or push load on page 68.

ORDERING CODE EXAMPLE

| | | | | | | | | | |
|----------|----------------|-----------------|---------|---------------------|-------------|--|--|---------|--|
| CLB 25 | RL1 | C200 | CC 24 V | FC2 | POR 5K | | | | |
| Actuator | Selected ratio | Required stroke | Motor | Stroke end switches | Accessories | | | Options | |