

TONISCO® B30

DN40 (1 1/2") - DN200 (8") Hot Tappings



TONISCO® B30
Hot tapping machine

Description

The lightweight and robust TONISCO® B30 Hot Tapping Machine is equipment designed for making connections to pipelines, tanks and plant piping. By using TONISCO® B30 Hot Tapping Machine it is possible to take new connections from DN40 to DN200. All the connections can be made without stopping the flow inside the mains up to the pressure of 60 bar.

TONISCO® B30 Hot Tapping Machine is versatile and easy to operate. It has a full range capability of setting valves DN40 – DN200 by completing it with proper adapters. With suitable adapter TONISCO® B30 can be used in flanged, threaded or weldable connections.

All TONISCO® Hot Tapping Machine provide an efficient and economical way of making connections to mains for repairs, relocations or additions.

Features

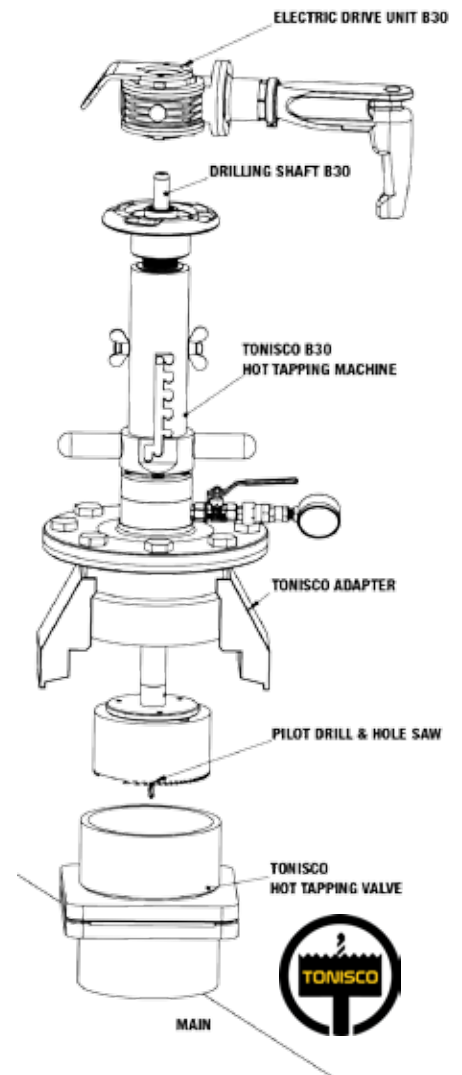
TONISCO® B30 Hot Tapping Machine can be used in temperature maximum of 200°C and pressure up to 60 bar. TONISCO® Jr. is equipped normally with electric drive unit. Other possible drive types are hand drive, pneumatic drive or hydraulic drive.

TONISCO® B30 Hot Tapping Machine weighs only 24 kg. and it can be operated by one man. TONISCO® B30 Hot Tapping Machine can be completed by wide range of hole saws, pilot drills and adapters to fit it with all mainline materials and substances.

By using TONISCO® Hot Tapping Machines it is possible to make pipeline alteration works in pressurized pipelines without shutdowns.

TONISCO® B30
Hot tapping machine

Typical setup up



By choosing the right adapter the TONISCO® B30 hot tapping machine can be used with most of the standard valves equipped with flanged, threaded, welded and clamp connections


TONISCO B30 Hot Tapping Machine specifications

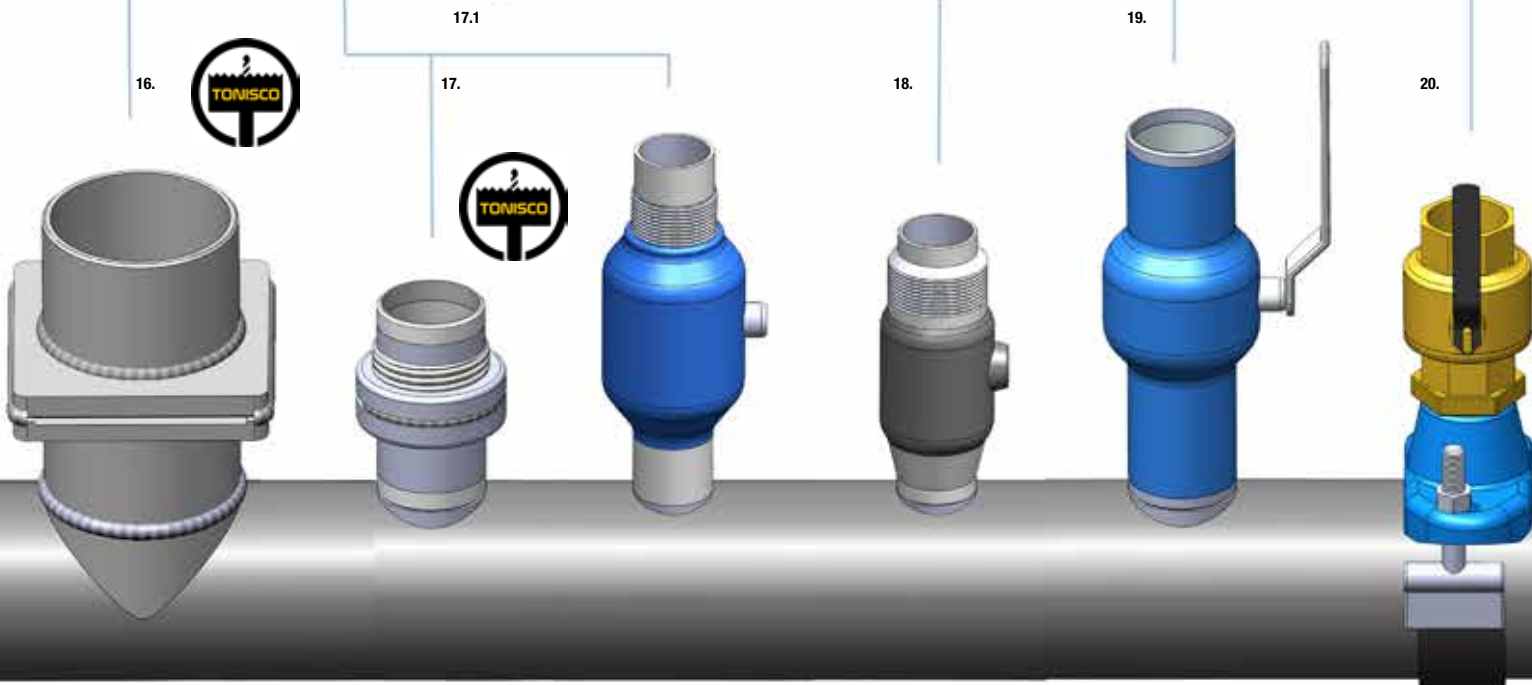
Branch Size:	DN40-DN200 (With special adapters up to DN250)
Drive unit:	Electric 220-240v / 50-60 Hz 1000 VA Pneumatic 6-7 bar / 1500 l / min Hydraulic
Body material:	42CrMo4
Feed Unit material:	S355J264
Sealings:	EPDM (Viton)
Inspection:	Pressure test and construction inspection
Pressure test:	60 bar
Max. operating pressure:	40 bar (60 bar with High Pressure version)
Max. operating temperature:	160°C (200°C with Viton sealings)
Weight of the machine:	24,00 kg
Working mediums:	Water, Steam, Gas and other substances*
* See the specifications of the sealing manufacturer	

TONISCO® B30
BASIC SET


	Item	Item no.	Quantity
Electric drive B30	Electric drive b30 compl	1411.0000	1
	Base unit	Feed device B30, compl. Body B30, complete	1455.0000 1437.0000
Shaft and accessories	Washer	1446.0090	1
	Base Shaft B30	1446.0001	1
	Shaft extension B30	1446.0020	3
	Shaft extension pusher	1446.0080	1
	Chuck B30 <102 mm	1446.0030	1
	Chuck B30 >102 mm	1446.0040	1
	Fastening screw	1446.0070	1
	Adapter B30/B40	1450.0060	1
Pressure monitoring	Press. monit. Set 40 bar	1273.0013	1
	Press. relief hose w.	1264.0210	1
Pilot drills	Pilot Drill HM B30 long	1446.0050	2
	Pilot Drill HM B30	1446.0060	2
Consumables	TONISCO Cut-paste	1289.0010	1
	TONISCO Sealant	1269.0020	1
Operating tools	Wrench 30 mm	1450.0070	1
	TONISCO Wrench B30	1450.0170	2
	Pipe wrench 13 mm	1450.0050	1
	Allen key 5 mm	1250.0020	1
	Allen key 4 mm	1213.0110	1
	Shaft opening pin Jr/B30	1213.0040	5
	Shaft Brake B30	1447.0120	1*
	Magnet for Jr./B30 cent	1213.0240	1
	Magnet > 45 mm	1213.0241	1

TONISCO® B30

Hot Tapping Machine



Applications - Build your Own TONISCO® B30

TONISCO® Hot tapping machines are designed completely according to the needs of the customer. The Hot tapping machines are used in various different fields and in changing environments.

TONISCO®'s Team of engineers is constantly designing new features to the machines in order to find solutions that helps the customer to use the same basic TONISCO® Hot tapping machine with the valves that best fit the customers needs. The three core-foundations in TONISCO®'s designs are SAFETY, EASE of USE and FLEXIBILITY.

The Option-Chart in the left shows the basic principle of how to build your own TONISCO® Hot tapping machine. Everything starts from the Power unit. Choose the most suitable Power unit according to the circumstances where the machine is mostly used.

The Pneumatic and Hydraulic drive units are designed for ATEX-Environments. The Electric Drive unit is the most common choice because it's extremely easy to operate and it can be attached to the normal 230 V electric network.

Basic TONISCO® B30 Hot tapping machine can be used with various different

hot tapping valves simply by choosing the right Adapter. TONISCO® B30 Adapters comes in three basic options for threaded, flanged and welded connections. The maximum operating pressure for the threaded Adapters is 60 bar and the Flanged adapters reach up to PN64. Also AISI standard flange Adapters are available.

TONISCO® Offers a wide range of different hole saws for every pipe material used in pressurized pipelines. Complete your own TONISCO® B30 Hot tapping machine with the suitable Hole Saw Set and the hot tapping system is ready for use.

TONISCO® System - The Open-Source of Hot tapping

DRIVE UNIT OPTIONS FOR TONISCO® B30

1. Ratched Drive, Manual, for plastic pipes
2. Electric Drive Unit, For all materials
3. Pneumatic Drive Unit, ATEX-approved
4. Hydraulic Drive Unit*

ADAPTER OPTIONS FOR TONISCO® B30

9. Adapters for TONISCO drilling valves >DN100
10. Adapters with Inner-threads, for TONISCO & VEXVE valves
11. Adapters with multi-threads, for DANFOSS Drilling valves
12. Adapters for ball valves with welded ends
13. Adapters with outer R (BSP) threads, for Ball valves with inner threads
14. Aluminium Adapters for flanged valves, PN10,16 (also AISI)
15. Steel Adapters for flanged valves, PN10,16,25,40,64 (also AISI)

HOLE SAW OPTIONS FOR TONISCO® B30

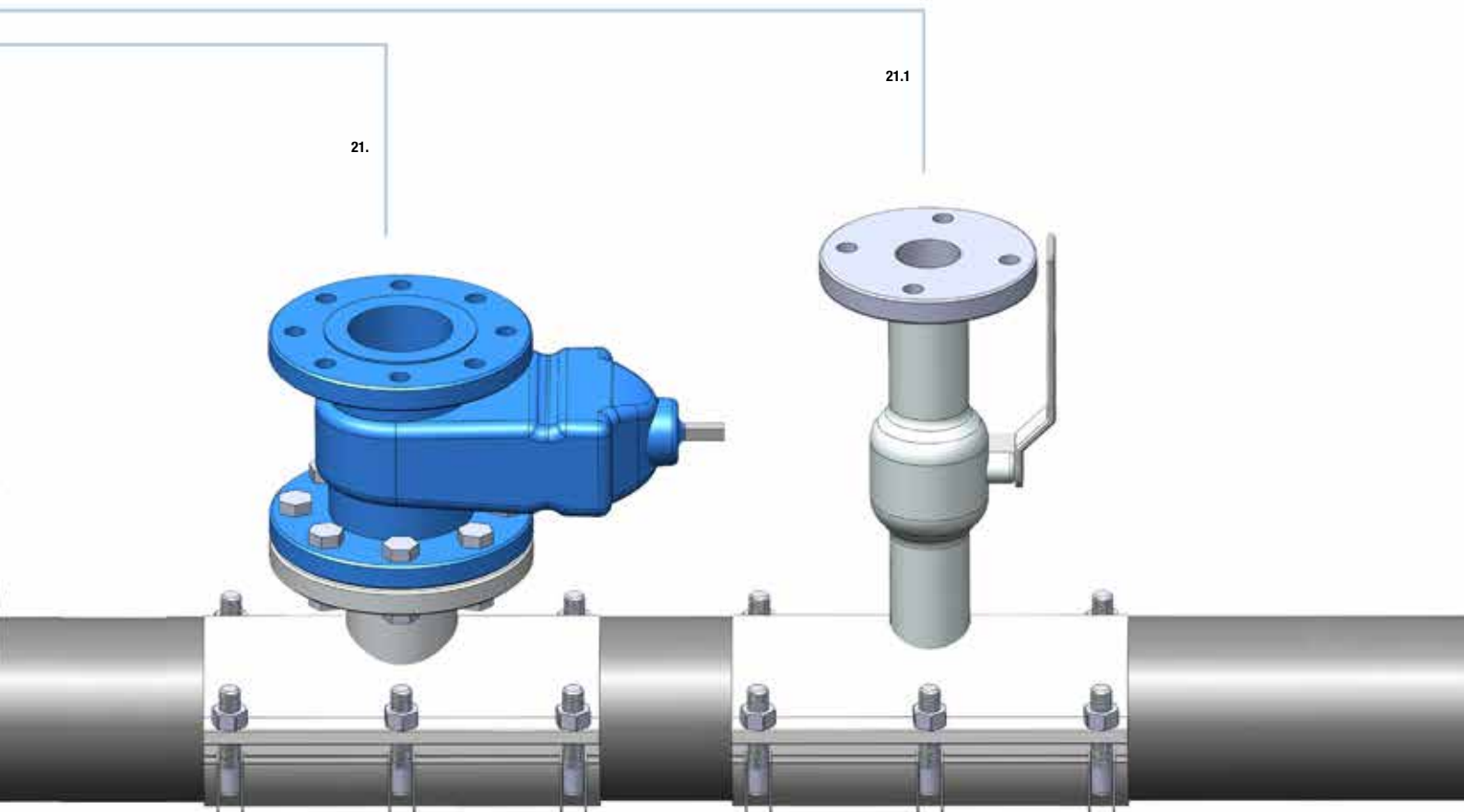
5. Bi-Metal (HSS) Hole Saws, Steel, Ductile and Cast Iron
6. Carbide Grit tooth (GE) Hole Saws, Concreted Pipes
7. Carbide tipped (HM) Hole Saws, PE, PVC and Clay Pipes
8. TONISCO® Hole Saws for other materials*

EXAMPLES OF HOT TAPPING VALVES SUITABLE FOR TONISCO® B30

16. TONISCO® Hot Tapping valves DN125-DN200
17. TONISCO® Hot Tapping valves DN20-DN100
- 17.1 VEXVE Hot tapping ball valves DN20-N100
18. DANFOSS Hot Tapping valves DN20-DN100
19. Weldable Ball valves with weld ends*
20. R-Threaded Ball valves
21. Sluice, Gate and Ball valves with flanged connections (PN10,16,25,40,64)
- 21.1 Sluice, Gate and Ball valves with flanged connections (PN10,16,25,40)

Also available in other standards etc.

***Contact sales for more information**





TONISCO® B30 is also available for weldable ball valves, flanged valves and valves with R(G) thread just by completing it with the suitable dapters

TONISCO Adapters

Nominal size
Item no.

Adapter DN 40	1218.0400
Adapter DN 50	1218.0500
Adapter DN 65	1218.0650
Adapter DN 80	1218.0800
Adapter DN 100	1218.1000
Adapter DN 125	1623.1250
Adapter DN 150	1623.1500
Adapter DN 200	1623.2000
Adapter TONISCO B30/B40	1450.0060
Claw + bolts	1623.0002
Adapter Case S	1472.0020
Adapter Case L	1472.0030

Adapters for Danfoss Drilling valves

Nominal size
Item no.

Danfoss Adapter DN50	1240.0500
Danfoss Adapter DN65	1240.0650
Danfoss Adapter DN80	1240.0800
Danfoss Adapter DN100	1240.1000

Adapters with outer R (BSP) threads

Nominal size
Item no.

Fastening Adapters 1 1/4"	1222.0400
Fastening Adapter 2 "	1222.0500
Fastening Adapter 2 1/2"	1222.0650
Fastening Adapter 3 "	1222.0800
Fastening Adapter 4 "	1222.1000

Adapters with inner R (BSP) threads

Nominal size
Item no.

Fastening Adapter 1 1/4"	1244.0400
Fastening Adapter 2 "	1244.0500
Fastening Adapter 2 1/2 "	1244.0650
Fastening Adapter 3 "	1244.0800




Adapters for weld. ball valves (long end)

Nominal size
Item no.

DN 40 (PN 25)	1236.0400
DN 50 (PN 25)	1236.0500
DN 65 (PN 25)	1236.0650
DN 80 (PN 25)	1236.0800
DN 100 (PN 25)	1236.1000
DN 125 (PN 25)	1636.1250
DN 150 (PN 25)	1636.1500
DN 200 (PN 25)	1636.2000
Adapter screw 220 (DN32-DN50)	1236.9001
Adapter screw 260 (DN50-DN80)	1236.9002
Adapter screw 280 (DN80-DN100)	1236.9003
Adapter screw 350 (DN100)	1236.9004

Steel Adapters for flanged valves

Nominal size
Item no.

DN 40/32 PN16 (PN 16 - 63)	1239.0320
DN 50/40 PN16 (PN 16 - 63)	1239.0500
DN 65 PN16 (PN 16 - 63)	1239.0650
DN 80 PN16 (PN 16 - 63)	1239.0800
DN 100 PN16 (PN 16 - 63)	1239.1000
DN 125 PN16 (PN 10 - 63)	1439.1250
DN 150 PN16 (PN 10 - 63)	1439.1500
DN 200 PN16 (PN 10 - 63)	1439.2000

Aluminium Adapters for flanged valves

Nominal size
Item no.

DN 80 PN16	1233.0800
DN 100 PN16	1233.1000
DN 150 PN16	1433.1500
DN 200 PN10-16	1433.2000

Hole Saw Chucks

Item
Item no.

30 mm - 102 mm 1/2 " UNF-thread	1446.0030
103 mm - 200 mm 3X86	1446.0040

Pilot Drills

Item
Item no.

Normal Pilot Drill (HM)	1446.0060
Long Pilot Drill (HM)	1446.0050


Bi-Metal (HSS) Hole Saws
 for Steel, Ductile and Cast Iron


Nominal size	diam./mm thread	Item no.
DN 40 (1 1/2")	32 5/8 " UNF	1219.0320
DN 40 (1 1/2")	38 5/8 " UNF	1219.0380
DN 50 (2")	44 5/8 " UNF	1219.0440
DN 65 (2 1/2")	48 5/8 " UNF	1219.0480
DN 65 (2 1/2")	57 5/8 " UNF	1219.0570
DN 80 (3")	64 5/8 " UNF	1219.0640
DN 80 (3")	70 5/8 " UNF	1219.0700
DN 100 (4")	89 5/8 " UNF	1219.0890
DN 100 (4")	95 5/8 " UNF	1219.0950
DN 100 (4")	89 Ø45 / 3x86	1619.0890
DN 100 (4")	95 Ø45 / 3x86	1619.0950
DN 125 (5")	114 Ø45 / 3x86	1619.1140
DN 125 (5")	121 Ø45 / 3x86	1619.1210
DN 150 (6")	140 Ø45 / 3x86	1619.1400
DN 200 (8")	180 Ø45 / 3x86	1619.1800

Carbide Grit tooth (GE) Hole Saws
 for Concreted Pipes


Nominal size	diam./mm thread	Item no.
DN 40 (1 1/2 ")	32 5/8 " UNF	1245.0320
DN 40 (1 1/2 ")	35 5/8 " UNF	1245.0350
DN 50 (2 ")	38 5/8 " UNF	1245.0380
DN 50 (2 ")	44 5/8 " UNF	1245.0440
DN 65 (2 1/2")	57 5/8 " UNF	1245.0570
DN 65 (2 1/2")	64 5/8 " UNF	1245.0640
DN 80 (3")	68 5/8 " UNF	1245.0680
DN 80 (3")	70 5/8 " UNF	1245.0700
DN 100 (4")	83 5/8 " UNF	1245.0830
DN 100 (4")	89 Ø45 / 3x86	1245.0890
DN 100 (4")	95 Ø45 / 3x86	1245.0950
DN 125 (5")	114 Ø45 / 3x86	1245.1140
DN 125 (5")	121 Ø45 / 3x86	1245.1210
DN 150 (6")	140 Ø45 / 3x86	1245.1400
DN 200 (8")	180 Ø45 / 3x86	1245.1800

Carbide tipped (HM) Hole Saws
 for PE, PVC and Clay Pipes


Nominal size	diam./mm thread	Item no.
DN 40 (1 1/2")	32 5/8 " UNF	1258. 0320
DN 50 (2")	38 5/8 " UNF	1258.0380
DN 65 (2 1/2")	44 5/8 " UNF	1258.0570
DN 80 (3")	64 5/8 " UNF	1258.0640
DN 80 (3")	68 5/8 " UNF	1258.0680
DN 100 (4")	83 5/8 " UNF	1258.0830


Electric Drive Unit
1411.0000


Operationality:	DN40 (1 1/2 ") - DN200 (8 ")
Power:	*220-240 V, 50...60 Hz 1100 W (*available also 110 V)
Weight:	4,8 kg

Pneumatic Drive Unit
1467.0000


Operationality:	DN40 (1 1/2 ") - DN200 (8 ")
Power:	1,3KW
Air consumption:	1,8 m ³ / min 6 - 8 bar
Weight:	4,8 kg

Ratchet Drive


Item	Item no.
TONISCO B30 ratchet drive	1414.0000

Shafts & Shaft extensions
Diameter 30 mm


Type	Specs.	Item no.
Base shaft	Norm. shaft	1446.0001
Shaft extension	155mm	1446.0020
Shaft extension socket	50 mm	1446.0080
Gear fastening screw	M8X20	1446.0070
Washer	DIN4409	1446.0090

Shaft brake


Item	Item no.
TONISCO B30 Shaft brake	1447.0020

Shaft Opener & Opening Pins


Item	Item no.
TONISCO B30 Special wrench	1450.0170
TONISCO Jr./B30 Opening Pin	1213.0040

TONISCO Sealant & Cutting Paste


Item	Item no.
TONISCO Cutting Paste	1289.0010
TONISCO sealant	1269.0010