

HRDR DC Hybrid Relay (Contactor)

General

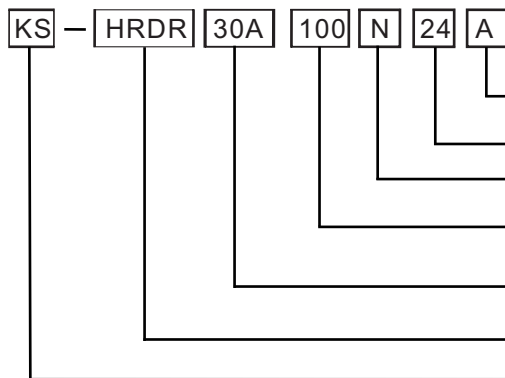


HRDR series DC hybrid relay is the combination of VDC high-voltage DC relay and AAE arc extinguisher, it was developed by Kingser with our patented arc extinguishing technologies, to meet the application needs of new energy vehicles, rail traffic, vessels and fields of automation control. It's a safe and green product.

Features

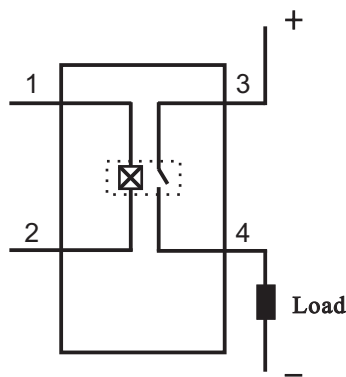
1. Small size
2. High cost performance ratio
3. Low(no) breaking over voltage
4. Low current starting and maintaining
5. No arc or tiny arc, long electric operation life

Model and Selection Table

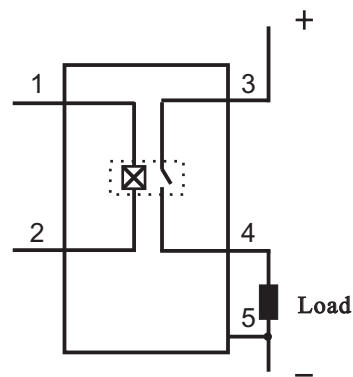


A: Active Arc Extinguishing Type;
P: Passive Arc Extinguishing Type
Coil Voltage, 5V, 9V, 12V, 24V, 48V DC as option
N: normally open C: normally close
Rated Voltage, e.g. 100 means 100V;
100V, 150V, 200V, 300V, 450V as option
Rated Current, 5A, 10A, 16A, 20A, 30A, 100A, 150A,
200A, 250A, 300A as option
DC Hybrid Relay
Company code

Wiring Diagram



Passive Arc Extinguishing Type



Active Arc Extinguishing Type