



3G Gear Oil Pump

Type 3G series are gear pumps designed for oil applications of various temperatures in Petrochemical and Chemical factories, food and cereal processing, metallurgy, power station, building materials. Applicable to heavy oil, fuel, lubricant and similar liquids. Bronze gear, stainless steel pump and explosive proof motor are all available upon request.



Features

- For high temperature application, up to 180-280°C
- Applicable to non-corrosive lubricant liquids without solids. Ideal for fuel transfer, hydraulic engineering, heavy mechanic, marine engineering, printing & dying, chemical and petrochemicals.
- Mechanical seal, claw coupling. High and high efficiency operation with low noise and vibration.
- Stable of low without agitation and pulsation.

V-FLO PUMPS & SYSTEMS COMPANY LIMITED

WWW.V-FLO.COM

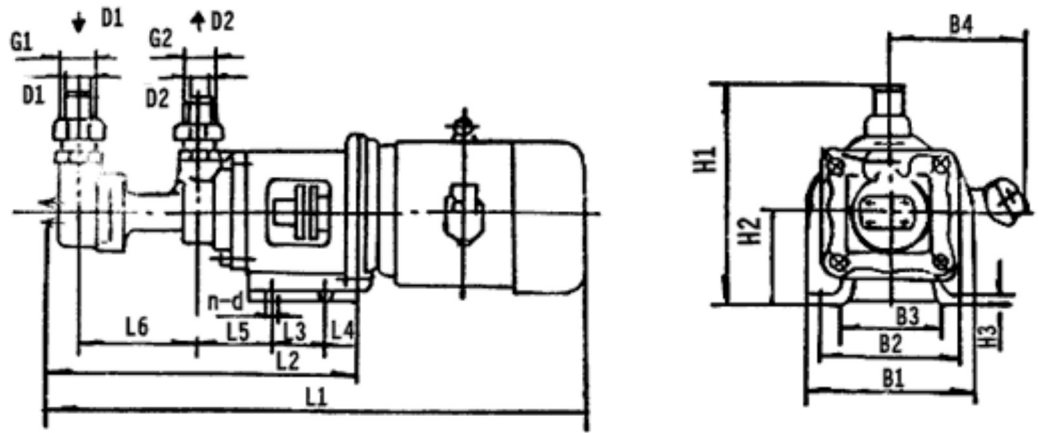
Performance Data

Model	Discharge pressure (Mpa)	Flow Capacity		Speed (r/min)	(NPSH)r (m)	Effi. (%)	Motor	
		m ³ /h	L/min				(KW)	Model
25×4-46	1	0.8	13	1450	4	62	0.75	Y802-4
	2.5	0.6	10			60.6	1.5	Y90L-4
	1	2	33	2900	4.5	59.4	1.5	Y90S-2
	2.5	1.6	26			69	3	Y100L-2
30×4-46	1	1.6	26	1450	4.5	63.5	1.1	Y90S-4
	2.5	1.2	20			61	2.2	Y100L1-4
	1	3.6	60	2900	5	60	2.2	Y90L-2
	2.5	3.2	53			69	4	Y112M-2
36×4-46	1	2.8	46	1450	4.5	66	2.2	Y100L1-4
	2.5	2.4	40			66.5	4	Y112M-4
	1	6.5	108	2900	5	60.5	4	Y112M-2
	2.5	6	100			72	7.5	Y132S2-2
42×4-46	1	4.8	80	1450	5	62	4	Y112M-4
	2.5	4.2	70			73	5.5	Y132S1-4
	1	10.5	175	2900	5.5	61	5.5	Y132S1-2
	2.5	10	166			72	15	Y160M2-2
45×4-46	1	6.3	106	1450	5	70	3	Y100L2-4
	2.5	5.9	99			74	7.5	Y132M-4
	1	13.5	225	2900	5.5	60	7.5	Y132S2-2
	2.5	13	217			75	15	Y160M2-2
60×4-46	1	15.5	255	1450	5	71.3	11	Y160M-4
	2.5	14.5	245			74	15	Y160L-4
	1	32	533	2900	5.5	63	18.5	Y160L-2
	2.5	31.5	525			77	37	Y200L2-2
70×2-46	0.6	24	400	1450	5	71	7.5	Y132M-4
	1	23.5	390			75	11	Y160M-4
	1.6	22.5	370			76	15	Y160L-4
70×4-46	1	24.5	408	1450	5	72.5	18.5	Y180M-4
	2.5	23.5	392			79	30	Y200L-2
80×2-46	0.6	36.5	608	1450	5	72	11	Y160M-4
	1	35	594			75.5	18.5	Y180M-4
	1.6	34.5	575			76.5	22	Y180L-4
	1	37	617			72	30	Y200L-4
80×4-46	2.5	35	590	1450	5.5	781	45	Y225M-4
	0.6	72.5	1208	1450	5	73	22	Y180L-4
1	71	1183	77			37	Y225S-4	
1.6	69.5	1158	79			45	Y225M-4	
100×4-46	1	72.5	1208	1450	5.5	73	55	Y250M-4
	2.5	70	1165			78.5	75	Y280S-4
S100×3-27	0.6	72	1196	1450	6	62	22	Y180L-4
	1.6	70	1160			72	55	Y250M-4
	2.5	69	1145			74	75	Y280S-4
S120×3-27	0.8	123	2055	1450	6	74.5	55	Y250M-4
	1.5	120	2010			76	90	Y280M-4
	2.5	115	1920			78.5	132	Y315M-4

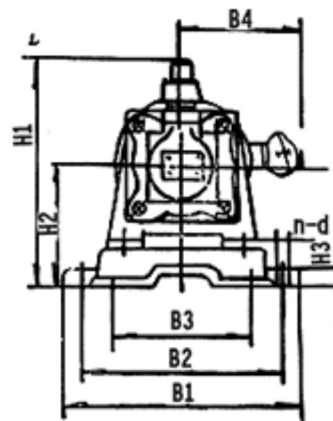
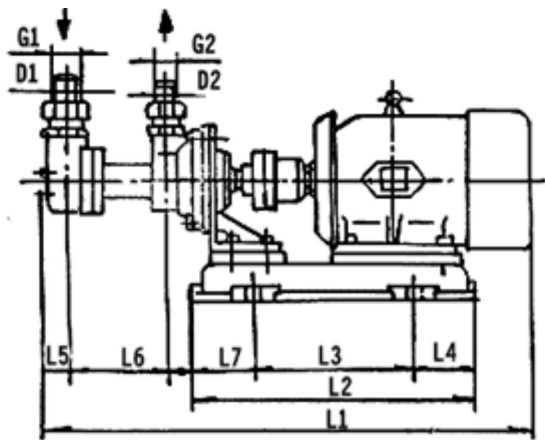
Installation Drawings & Dimensions

WWW.V-FLO.COM

For Model
3G30×4



Model	Base	L ₁	L ₂	L ₃	L ₄	L ₅	L ₆	L ₇	B ₁	B ₂	B ₃	B ₄	H ₁	H ₂	H ₃	n-d	D ₁ ×G ₁	D ₂ ×G ₂
30×4	90L	665	383	95	35	82	138		250	210	160	155						
	100L	703	393	95	40	87	138		250	210	160	180	274	140	15	4-φ15	φ32×φ44	φ25×φ34
	122M	729	393	95	40	87	138		250	210	160	190						
	90S	645	383	95	35	82	138		250	210	160	155						



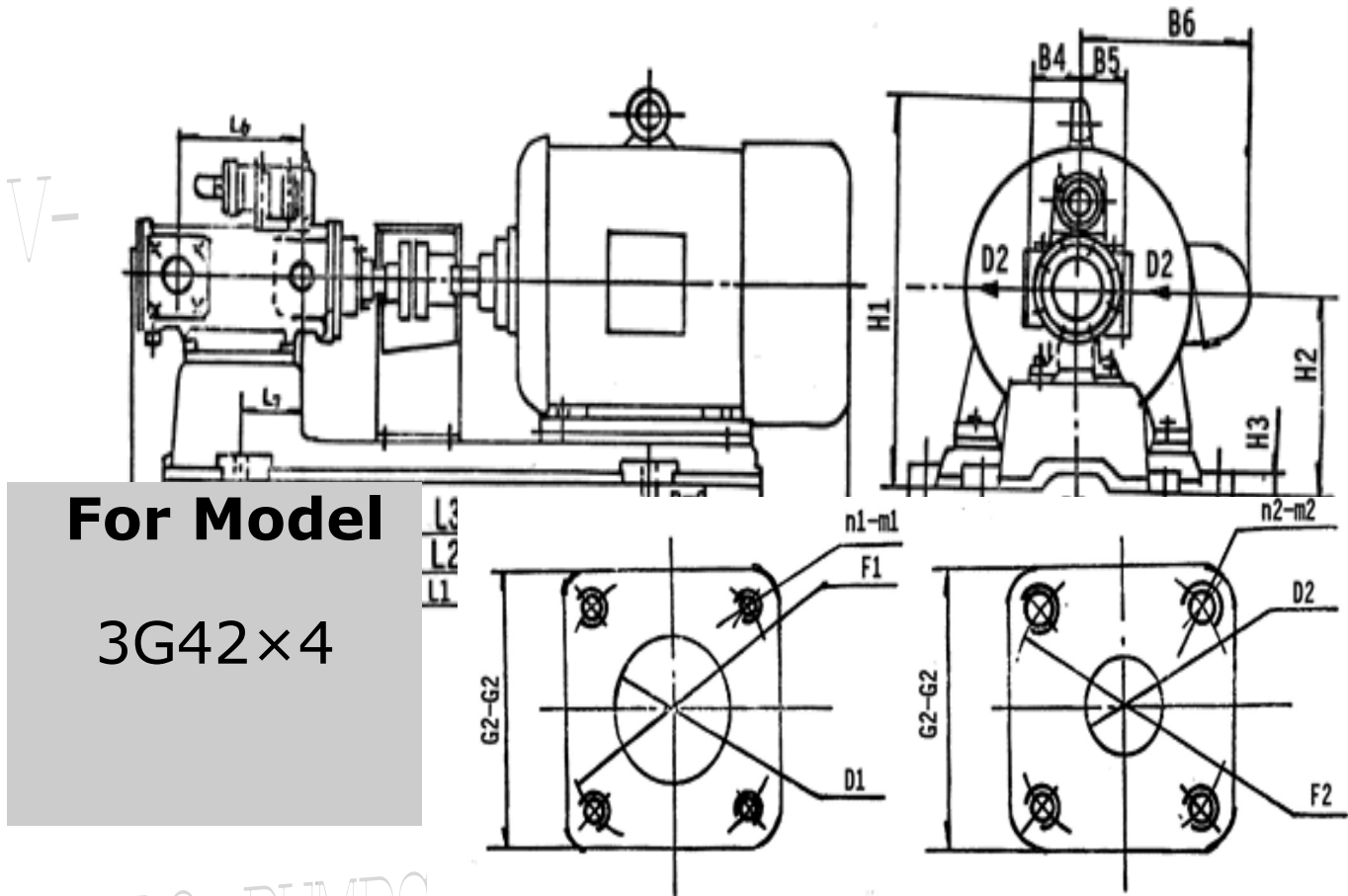
For Model
3G25×4
&
3G36×4

Model	Base	L ₁	L ₂	L ₃	L ₄	L ₅	L ₆	L ₇	B ₁	B ₂	B ₃	B ₄	H ₁	H ₂	H ₃	n-d	D ₁ ×G ₁	D ₂ ×G ₂
25×4	80	583	340	200	70	29	125	95.5	280	240	240	150	255	160	20			
	90S	608	380	250	65	29	125	90.5	280	240	240	160	265	160	20			
	90L	633	380	250	65	29	125	90.5	280	240	240	160	265	160	20			
	100L	673	415	265	75	29	125	101.5	305	265	265	180	315	170	20	4-φ15	φ25×φ34	φ20×φ34
	112M	790	438	298	70	44	168	117	350	310	310	190	345	192	20			
36×4	132S	865	518	368	75	44	4168	117	380	340	340	210	375	192	20	4-φ19	φ50×φ59	φ40×φ50

WWW.V-FLO.COM

Installation Drawings & Dimensions

WWW.V-FLO.COM



For Model
3G42×4

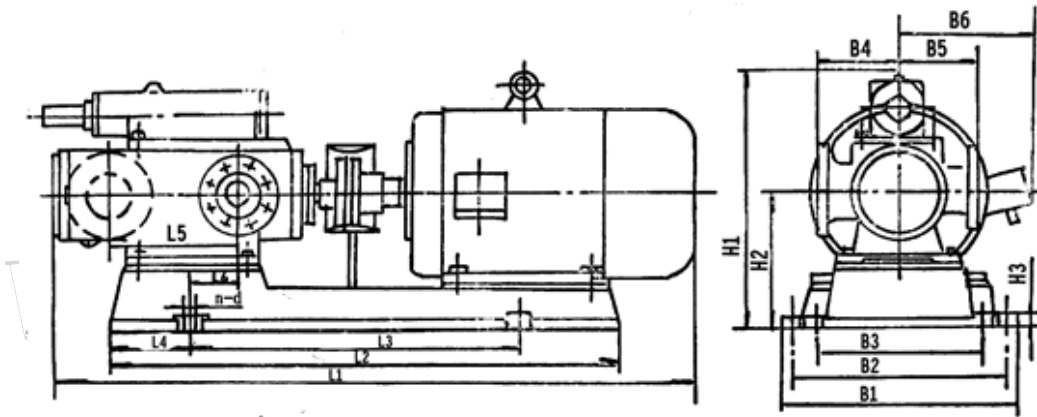
V-FLO PUMPS & SYSTEMS

Model	Base	L ₁	L ₂	L ₃	L ₄	L ₅	L ₆	L ₇	B ₁	B ₂	B ₃	B ₄	B ₅	H ₁	H ₂	H ₃	n-d
42×4	112M	840	725	420	150	41	158	50	410	350	270	88	190	343	190	35	4-φ25
	132S	917	765	460	150	41	158	50	450	390	270	88	210	385	202	35	
	160M	1043	890	590	150	41	158	50	480	420	270	88	165	455	230	35	

Model	D ₁	F ₁	G ₁ ×G ₁	n ₁ -M ₁	D ₂	F ₂	G ₂ ×G ₂	n ₂ -M ₂
42×4	φ65	φ130	128×128	4-M12	φ40	φ108	118×118	4-M16

WWW.V-FLO.COM

Installation Drawings & Dimensions



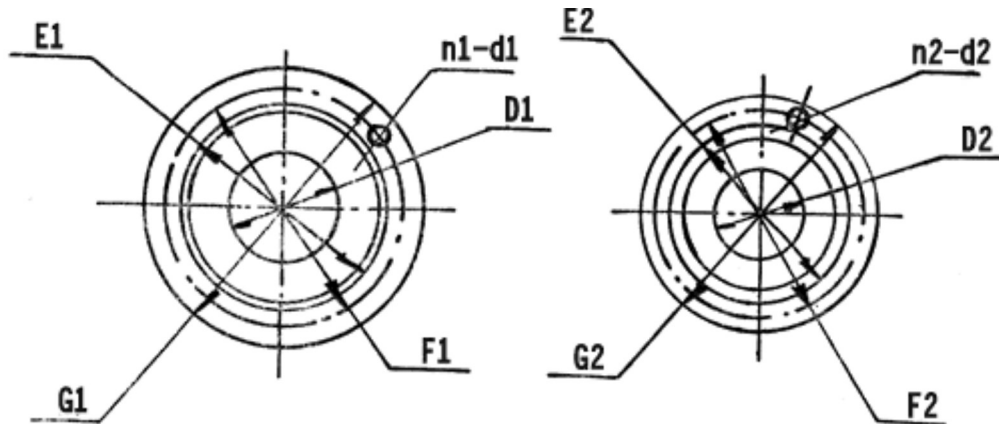
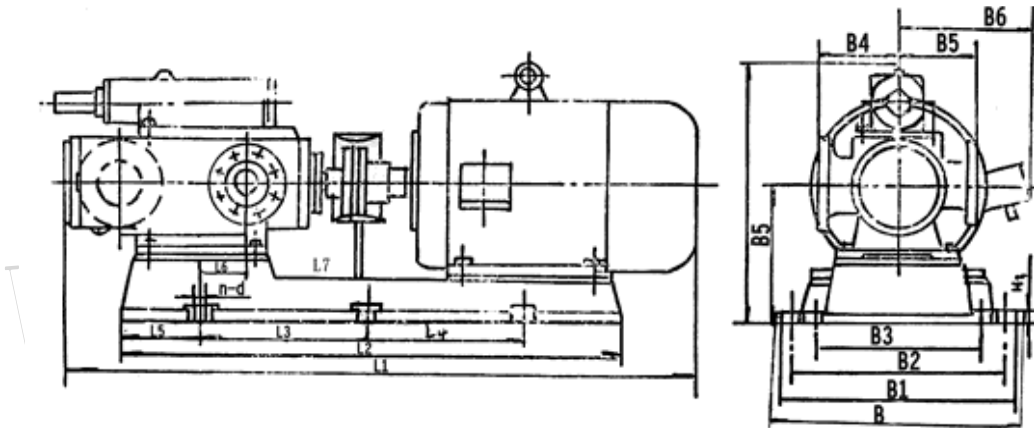
For Model

3G45 — 3G100

Model	Base	L ₁	L ₂	L ₃	L ₄	L ₅	L ₆	B ₁	B ₂	B ₃	B ₄	B ₅	B ₆	H ₁	H ₂	H ₃	n-d
45×4	Y100L	890	740	472	145	209	85	325	285	285	130	140	180	350	205	25	4-φ18
	Y132S	985	809	518	145	209	85	380	340	340	130	140	210	400	217	25	
	Y132M	1025	838	538	145	209	85	380	340	340	130	140	210	400	217	25	
	Y160M	1119	932	610	160	209	73.5	429	389	340	130	140	265	470	245	25	
60×4	Y160M	1297	1017	700	178	285	100	460	410	370	170	175	265	585	270	30	4-φ23
	Y160L	1342	1061	700	178	285	100	460	410	370	170	175	265	585	270	30	
	Y200L	1475	1158	758	183	285	100	525	475	370	170	175	310	585	310	30	
70×2	Y132M	1199	930	587	159	165	71	420	380	380	170	170	210	458	275	30	4-φ23
	Y160M	1289	1012	652	160	165	71	465	425	380	170	170	265	500	275	30	
70×4	Y180M	1404	1199	781	231	305	145	495	455	380	170	170	285	540	290	30	4-φ23
	Y200L	1509	1277	795	231	305	145	540	500	380	170	170	310	585	310	35	
80×2	Y160M	1244	1043	663	165	204	110	470	430	430	190	190	265	505	280	30	4-φ23
	Y180M	1308	1092	707	165	204	110	480	440	440	190	190	285	540	290	30	
80×4	Y200L	1570	1241	826	204	360	145	525	475	410	190	190	315	585	310	30	4-φ23
	Y225M	1640	1297	875	204	360	145	580	530	410	190	190	345	640	335	30	
100×2	Y180L	1513	1265	821	195	254	140	520	460	460	220	220	285	580	330	30	4-φ27
	Y225S	1623	1336	865	195	254	140	595	535	460	220	220	345	640	335	30	

Installation Drawings & Dimensions

**For Model
3G100×4**



Model	D ₁	E ₂	F ₁	G ₁	n ₁ -d ₁	D ₂	E ₂	F ₂	G ₂	n ₂ -d ₂
45×4	φ65	φ110	φ130	φ160	4-φ13.5	φ50	φ102	φ125	φ165	4-φ17.5
60×4	φ100	φ148	φ170	φ210	4-φ17.5	φ65	φ122	φ145	φ185	8-φ17.5
70×2	φ100	φ140	φ170	φ205	8-φ18	φ65	φ120	φ145	φ180	8-φ18
70×4	φ100	φ140	φ170	φ205	8-φ18	φ65	φ120	φ145	φ180	8-φ18
80×2	φ125	φ175	φ200	φ235	8-φ18	φ80	φ135	φ160	φ195	8-φ18
80×4	φ125	φ175	φ200	φ235	8-φ18	φ80	φ135	φ160	φ195	8-φ18
100×2	φ150	φ215	φ240	φ275	8-φ18	φ100	φ170	φ200	φ235	8-φ18
100×4	φ150	φ215	φ240	φ275	8-φ18	φ100	φ170	φ200	φ235	8-φ18