



FYL

Column Chemical



FYL series pumps, are single-stage single suction vertical wet pit centrifugal pumps designed for pumping corrosive liquids . Ideal for applications in oil refinery, power station, paper making, brewery, chemical factory and so on.

V-FLO PUMPS & SYSTEMS COMPANY LIMITED

WWW.V-FLO.COM

Features

- Reliable and energy saving with high efficiency and low noise due to adoption of the best hydraulic model and low speed motor.
- Rotor, multi-point supported, is axially adjustable.
- Long shaft construction with reliable coupling and easy dismantling, depth of setting up to 10m.
- Sliding bearings may be lubricated and cooled with either external circulation system or self lubrication and cooling.
- Semi-flexible discharge flange facilitated pipe connection.
- Extended suction pipe may be utilized to minimize the rotor and thus cost while increasing the system strength and servicing life.

Model Nomenclature

100FYL-32A
 100 — Suction Dia. (mm)
 FYL — Vertical Corrosive-resistant
 Sump Pump
 32 — Designed Head (m)
 A — Impeller Variation

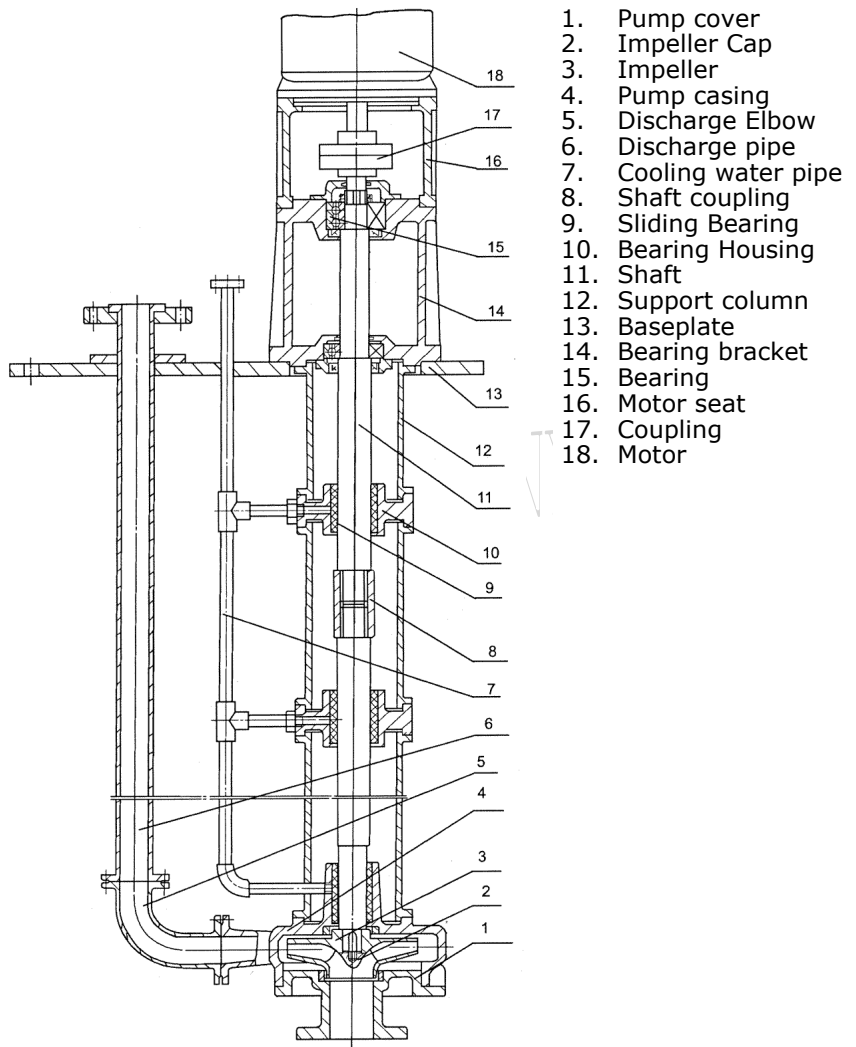
Performance Range

Capacity: 3.2 ~ 400m³/hr
 Head: 5 ~ 50m
 Temperature: -20 ~ 180°C

Materials of Construction

Code	Material
B	1Cr18Ni9Ti
M	1Cr18Ni12M02Ti
H	C.I. (HT-200)
D	D4MCu
T	TA (Ti Alloy)
I	IMRC-7

Configuration Drawing



Performance Data Chart

Model	Capacity Q		Head H (m)	Speed (rpm)	Power (KW)	Impel.Dia. (mm)	Weight (Kg)			
	m³/h	L/S								
40FYL-12.5	2.24	0.62	14.00	1450	1.1	200				
	3.20	0.89	12.50							
	3.84	1.07	10.00							
40FYL-25	2.24	0.62	27.00		2.2	275				
	3.20	0.89	25.00							
	3.84	1.07	22.50							
40FYL-25A	2.00	0.56	22.00		1.5	250				
	3.00	0.83	20.00							
	3.60	1.00	17.00							
40FYL-26	7.20	2.00	26.00		4	290				
50FYL-12.5	4.40	1.22	14.00		1450	1.5		200		
	6.30	1.75	12.50							
	7.60	2.11	10.00							
50FYL-25	4.40	1.22	27.00	3		275				
	6.30	1.75	25.00							
	7.60	2.11	22.50							
50FYL-25A	4.00	1.11	22.00	2.2		250				
	7.20	1.67	20.00							
	6.00	2.00	17.00							
50FYL-32	4.40	1.22	33.70	4		315				
	6.30	1.75	32.00							
	7.60	2.11	29.50							
50FYL-32A	4.00	1.11	29.50	3	300					
	7.20	1.67	28.00							
	6.00	2.00	24.00							
65FYL-12.5	10.00	2.78	14.00	1450	2.2	200				
	12.50	3.47	12.50							
	15.00	4.17	10.00							
65FYL-25	10.00	2.78	27.00		4	275				
	12.50	3.47	25.00							
	15.00	4.17	22.50							
65FYL-25A	9.40	2.61	22.00		3	250				
	12.00	3.33	20.00							
	14.50	4.03	17.00							
65FYL-32	10.00	2.78	33.70		5.5	315				
	12.50	3.47	32.00							
	15.00	4.17	29.50							
65FYL-32A	9.40	2.64	29.20	4	300					
	12.00	3.33	28.00							
	14.50	4.00	23.00							
65FYL-40	10.00	2.78	42.50	1450	7.5	350				
	12.50	3.47	40.00							
	16.00	4.44	34.50							
65FYL-40A	9.50	2.64	37.50		5.5	335				
	12.00	3.33	36.00							
	15.00	4.17	33.00							
80FYL-12.5	23.00	6.39	13.50		1450	3		200		
	25.00	6.94	12.50							
	28.00	7.78	10.00							
80FYL-25	23.00	6.39	26.50			5.5		275		
	25.00	6.94	25.00							
	28.50	7.92	22.00							
80FYL-25A	21.50	5.92	21.50	4		250				
	24.00	6.67	20.00							
	27.00	7.50	16.00							
80FYL-28	55.00	15.30	28.00	11		295				
80FYL-32	23.00	6.39	33.40	1450		7.5	315			
	25.00	6.94	32.00							
	28.50	7.92	28.00							
80FYL-32A	21.50	5.92	29.20		5.5	300				
	24.00	6.67	28.00							
	27.00	7.50	23.00							
80FYL-40	23.00	6.39	42.50		1450	11	350			
	25.00	6.94	40.00							
	28.50	7.92	34.50							
80FYL-40A	21.50	5.92	37.50			7.5	335			
	24.00	6.67	36.00							
	27.00	7.50	33.00							
80FYL-50	50.00	13.88	50.00	22		350				

Model	Capacity Q		Head H (m)	Speed (rpm)	Power (KW)	Impel.Dia. (mm)	Weight (Kg)		
	m³/h	L/S							
100FYL-12.5	42.00	11.67	13.20	1450	4	200			
	50.00	13.89	12.50						
	58.00	16.11	9.50						
100FYL-23	100.00	27.78	23.00		15	300			
100FYL-25	42.00	11.67	26.50		7.5	275			
	50.00	13.89	25.00						
	58.00	16.11	22.00						
100FYL-25A	38.00	10.56	21.50		5.5	250			
	48.00	13.33	20.00						
	56.00	15.56	16						
100FYL-32	42.00	11.67	33.4		1450	11		315	
	50.00	13.89	32						
	58.00	16.11	27.00						
100FYL-32A	40.00	11.11	29.00	11		300			
	48.00	13.33	28.00						
	56.00	15.56	22.50						
100FYL-37	100.00	27.78	37.00	22		260			
100FYL-40	42.00	11.67	42.50	15		350			
	50.00	13.89	40.00						
	58.00	16.11	34.50						
100FYL-40A	40.00	11.11	37.50	11		335			
	48.00	13.33	36.00						
	56.00	15.56	33.00						
100FYL-50	100.00	27.78	50.00	37	400				
125FYL-25	88.00	24.44	26.50	1450	15	275			
	100.00	27.78	25.00						
	125.00	34.72	20.00						
125FYL-25A	75.00	20.83	21.50		11	250			
	90.00	25.00	20.00						
	105.00	29.17	16.00						
125FYL-32	88.00	24.44	33.50		18.5	315			
	100.00	27.78	32.00						
	125.00	34.72	27.00						
125FYL-32A	75.00	20.83	29.20		15	290			
	90.00	25.00	28.00						
	105.00	29.17	25.00						
125FYL-50	88.00	24.44	52.50	30	400				
	100.00	27.78	50.00						
	125.00	34.72	46.00						
125FYL-50A	75.00	20.83	46.00	22	370				
	90.00	25.00	44.00						
	105.00	29.17	38.00						
125FYL-50B	68.00	18.89	39.50	18.5	340				
	84.00	23.33	38.00						
	95.00	26.39	33.00						
150FYL-32	170.00	47.22	33.50	1450	30	315			
	200.00	55.56	32.00						
	245.00	68.05	27.00						
150FYL-32A	165.00	45.83	29.60		22	290			
	180.00	50.00	28.00						
	230.00	63.89	24.50						
150FYL-34	200.00	55.56	34.00		45	320			
150FYL-50	170.00	47.22	52.50		55	400			
	200.00	55.56	50.00						
	245.00	68.05	44.00						
150FYL-50A	165.00	45.83	45.50		45	370			
	180.00	50.00	44.00						
	230.00	63.89	39.00						
150FYL-50B	155.00	43.06	39.50	37	335				
	170.00	47.22	28.00						
	215.00	59.72	34.00						
200FYL-21	360.00	100.00	21.00	45	325				
200FYL-32	340.00	94.44	33.50	1450	55	315			
	400.00	111.11	32.00						
	480.00	133.33	28.50						
200FYL-32A	320.00	88.89	29.20		45	300			
	380.00	105.56	28.00						
	450.00	125.00	24.00						
200FYL-50	340.00	94.44	52.50		90	400			
	400.00	111.11	50.00						
	480.00	133.33	44.00						
200FYL-50A	310.00	86.11	45.50		75	370			
	360.00	100.00	44.00						
	420.00	116.66	38.00						
200FYL-50B	290.00	80.55	39.50	75	345				
	340.00	94.44	38.00						
	400.00	111.11	34.00						

Installation Drawings & Dimensions

Model	Bearing Bracket	Dia. (mm)	Square Baseplate					Round Baseplate					Others											
			A	B	a	b	e	D	D1	D0	t	n-Φd	K	r	g	c1	c2	s	z	m	p			
40FYL-12.5	I	32	800	560	740	500	295	800	740	640	105	6- Φ18.5	280	500	110	200	120	35	50	200	260			
40FYL-25			900	640	840	580	340	900	840	740	110		335	585										
40FYL-25A			900	640	840	580	340	900	840	740	110		335	585										
40FYL-26		32	800	550	740	490	295	800	750		115	340	530	240					150	200	200			
50FYL-12.5	I	40	800	560	740	500	295	800	740	640	105	6- Φ18.5	280	500	110	200	120	35	50	200	300			
50FYL-25			900	640	840	580	340	900	840	740	110		335	585										
50FYL-25A			900	640	840	580	340	900	840	740	110		335	585										
50FYL-32			900	700	840	640	340	900	840	740	110		350	620										
50FYL-32A			900	700	840	640	340	900	840	740	110		350	620										
65FYL-12.5			800	560	740	500	295	800	740	640	105		280	510										
65FYL-25	50	40	900	640	840	580	340	900	840	740	110	335	600	110	200	120	35	50	240	320				
65FYL-25A			900	640	840	580	340	900	840	740	110	335	600											
65FYL-32			900	700	840	640	340	900	840	740	110	350	620											
65FYL-32A			900	700	840	640	340	900	840	740	110	350	620											
65FYL-40			1000	800	940	740	370	1000	940	840	130	8- Φ18.5	400								740	120	240	100
65FYL-40A	1000	800	940	740	370	1000	940	840	130	8- Φ18.5	400	740	120	240	100	40								
80FYL-12.5	I	65	800	560	740	500	295	800	740	640	105	6- Φ18.5	300	530	110	200	120	35	60	270	340			
80FYL-25			900	640	840	580	340	900	840	740	110		350	625										
80FYL-25A			900	640	840	580	340	900	840	740	110		350	625										
80FYL-28								700	650	120			340	565										
80FYL-32	II	65	1000	700	940	640	350	1000	940	840	150	8- Φ18.5	385	700	120	240	100	40	60	270	340			
80FYL-32A	1000		700	940	640	350	1000	940	840	150	385		700	120	240	100	40							
80FYL-40	III		1100	800	1040	740	400	1100	1040	940	150		420	760	130	270	80	50						
80FYL-40A	1100		800	1040	740	400	1100	1040	940	150	420		760	130	270	80	50							
80FYL-50			1100	800	1040	740	400						440	770	130			50				70	300	360
80FYL-50			1100	800	1040	740	400						440	770	130			50				70	300	360

Notes: 1) Depth of setting (L) up to 10m.

2) Length of suction pipe (L1) may be decided according to specific working conditions.

Installation Drawings & Dimensions

Model	Bearing Bracket	Dia. (mm)	Square Baseplate					Round Baseplate					Others									
			A	B	a	b	e	D	D1	D0	t	n-Φd	K	r	g	c1	c2	s	z	m	p	
100FYL-12.5	I	80	900	640	840	580	320	900	840	740	150	6-Φ18.5	335	620	110	200	120	35	70	300	360	
100FYL-23			1000	680	940	620	375						380	740	176			50	300	300	280	
100FYL-25	II		1000	700	940	640	350	1000	940	840	150	8-Φ18.5	385	700	120	240	100	40	70	300	360	
100FYL-25A																						
100FYL-32				1000	700	940	640	350	1000	940	840		150	400								720
100FYL-32A																						
100FYL-37			1000	680	940	620	375						380	740	176				300			
100FYL-40	III		1100	800	1040	740	400	1100	1040	940	150	12-Φ18.5	440	770	130	270	800	50	70			
100FYL-40A																						
100FYL-50				1000	680	940	620	325	1100					430	790	176						
125FYL-25	III	100	1100	800	1040	740	400	1100	1040	940	150	12-Φ18.5	420	760	130	270	80	50	70	300	360	
125FYL-25A																						
125FYL-32				1100	800	1040	740	400	1150	1040	940		150	440					770			
125FYL-32A																						
125FYL-50			1150	800	1090	740	410	1150	1090	990	165		485	860								
125FYL-50A																						
125FYL-50B																						
150FYL-32		125	1200	1000	1090	740	410	1150	1090	990	165	485	860					90	340	400		
150FYL-32A																						
150FYL-34A			1200	1000	1090	890	410						515	890	185			65	300	340	365	
150FYL-50			1200	1000	1090	890	410						515	890	185			65	300			
150FYL-50A	IV	150	1300	850	1240	790	430	1300	1240	1140	220	12-Φ18.5	540	940	135	330	60	60	90	340	340	
150FYL-50B																						
200FYL-21			1250	800	1150	700	420						580	1005		360	50			380	450	
200FYL-32	IV		1300	850	1240	790	430	1300	1240	1140	220	12-Φ18.5	540	970	135	330	60	60	100	380	450	
200FYL-32A																						
200FYL-50				1300	850	1240	790	430	1300	1240	1140		220	600								1000
200FYL-50A																						
200FYL-50B																						

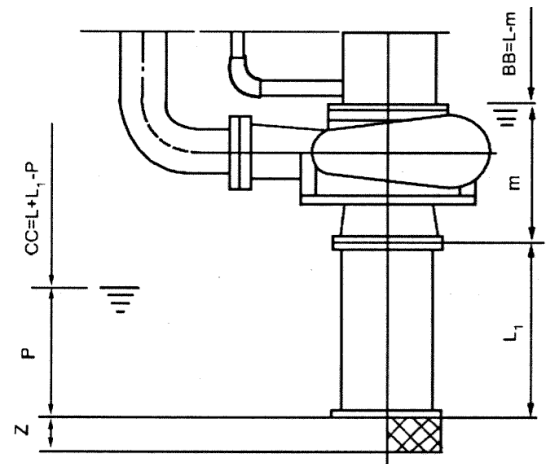
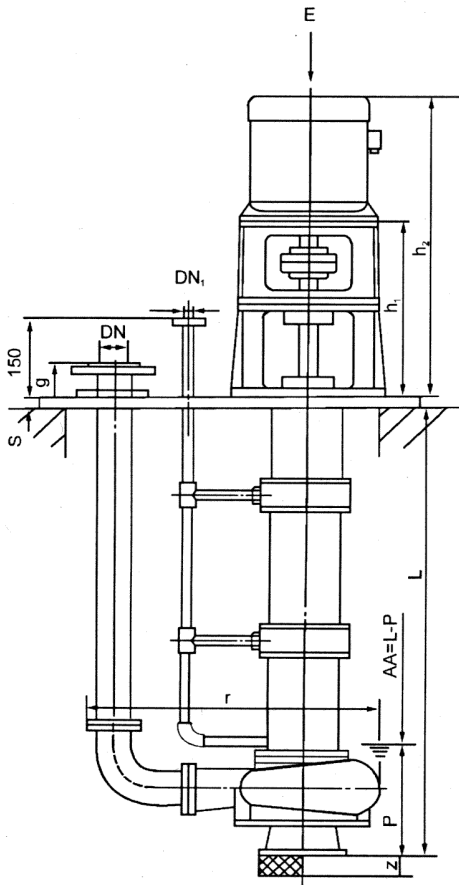
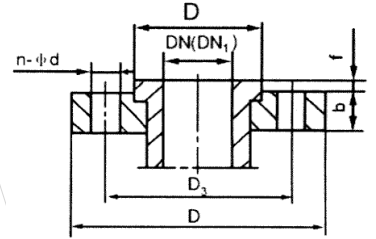
Notes: 1) Depth of setting (L) up to 10m.

2) Length of suction pipe (L1) may be decided according to specific working conditions.

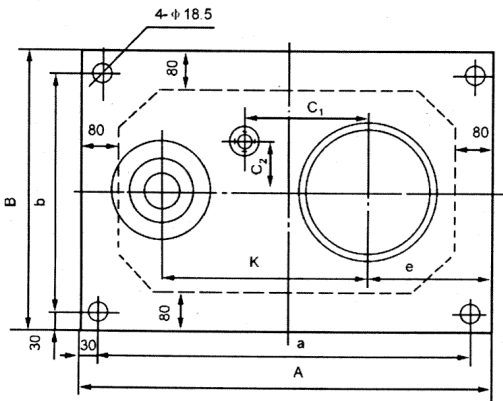
Installation Drawings an Dimensions

Flange Dimensions

	GB9119.8-88								
	DN								
	15	32	40	50	65	80	100	125	150
D	80	140	150	165	185	200	220	250	285
D ₁	38	76	84	99	118	132	156	184	211
D ₃	55	100	110	125	145	160	180	210	240
b	12	18	18	20	20	20	22	22	24
f	2	3	3	3	3	3	3	3	3
n-φd	4-φ11	4-φ18	4-φ18	4-φ18	4-φ18	8-φ18	8-φ18	8-φ18	8-φ22



Note: AA refers to Minimum liquid level



E View

