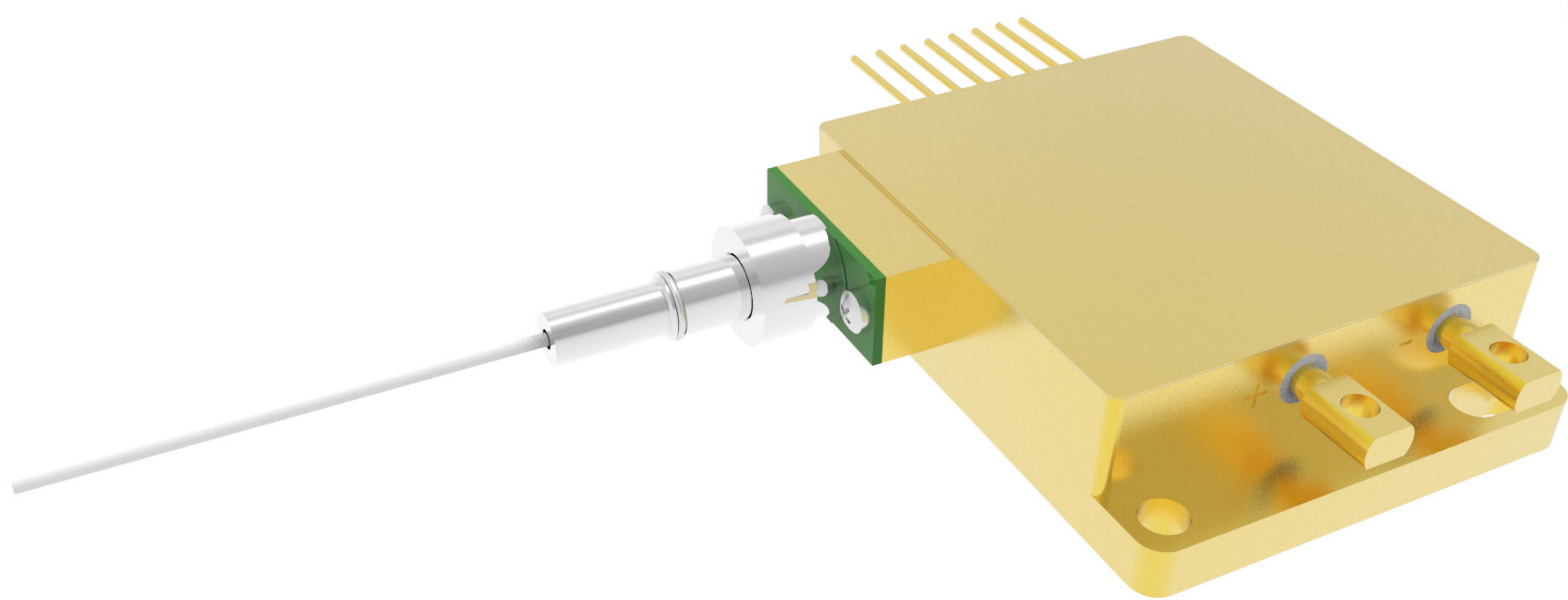


# Fiber Coupled Modle – M4



## Application

Pump

R&D

Direct Material Process

Medical

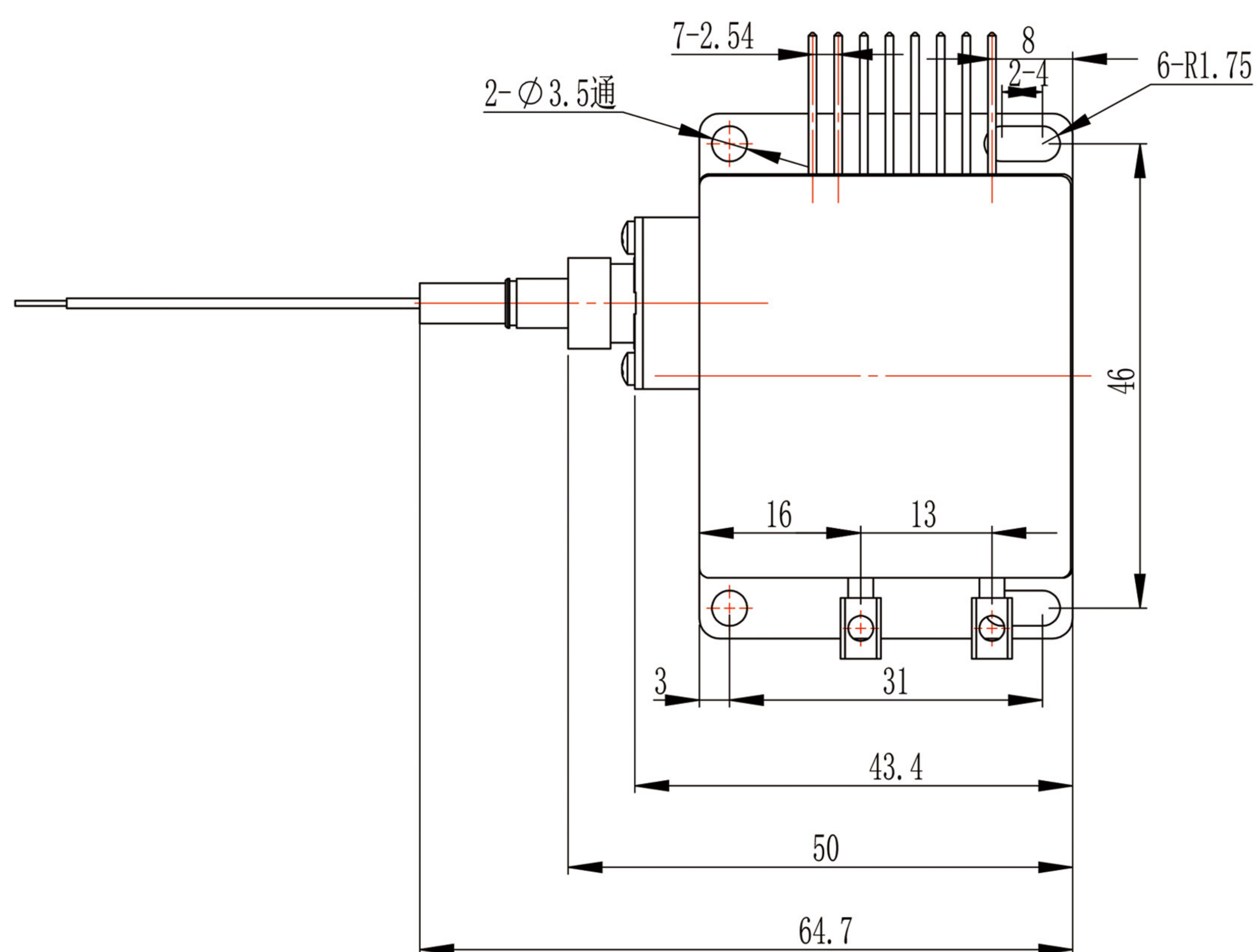
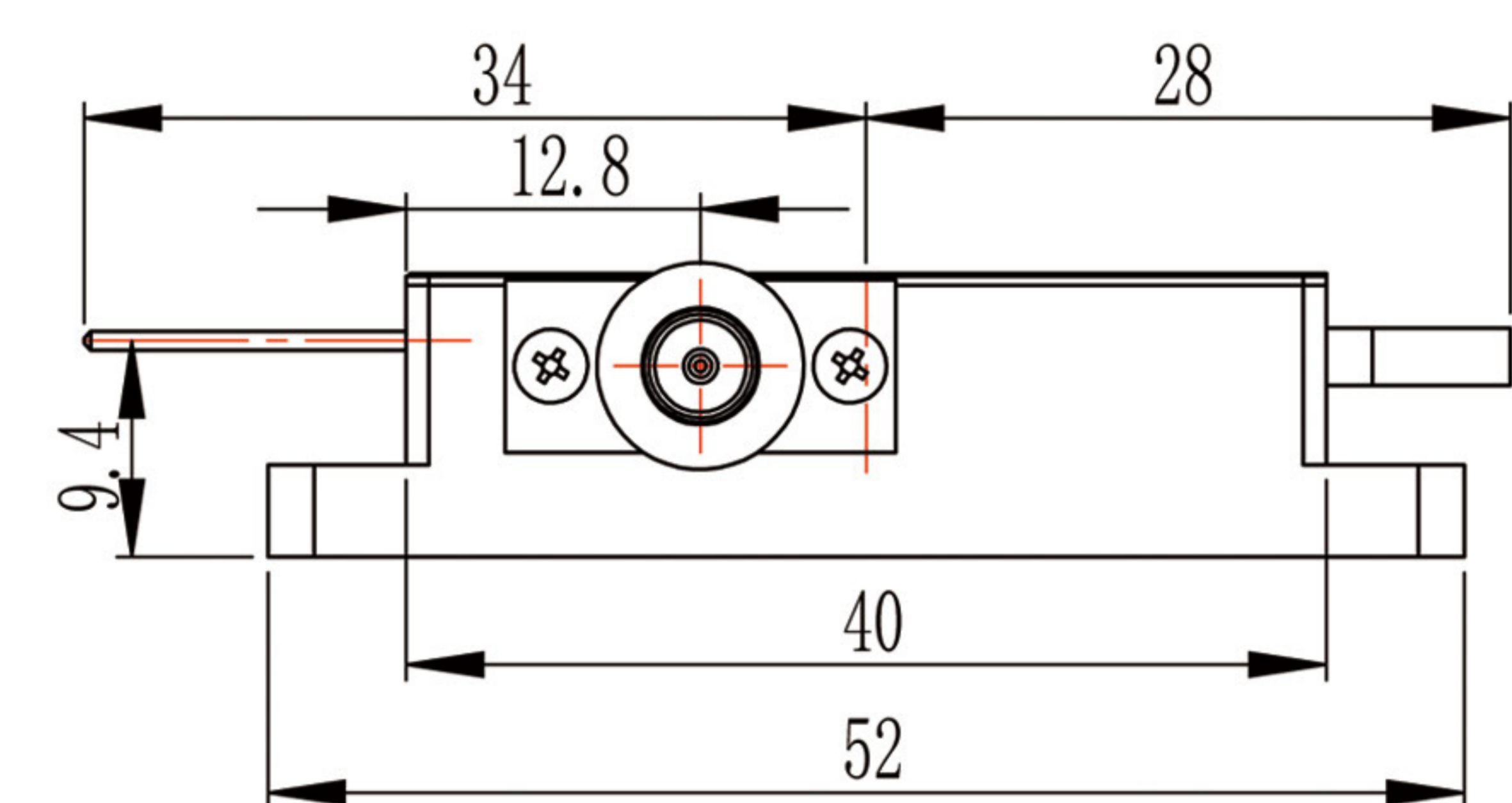
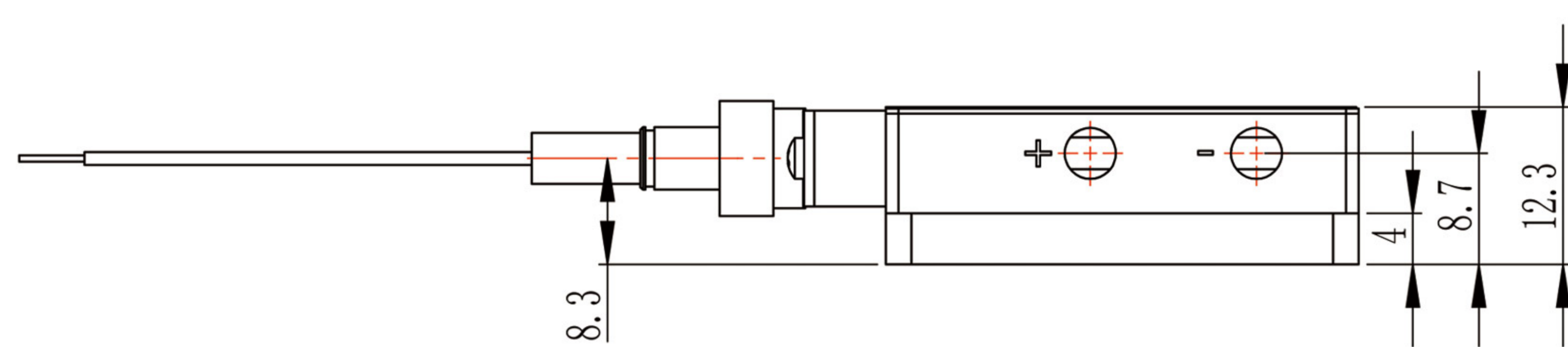
## Features

Multi-Single Emitters

Long lifetime

Narrow Linewidth

High Efficiency



M Serial - M4		Item Number <sup>1</sup> EB-FCP-M4-025-400-0808-03		
Parameter	Unit	Min	Type	Max
<b>Optical<sup>2</sup></b>				
Center Wavelength	nm	805	808	811
Wavelength Tolerance	nm		±3	
Output Power <sup>4</sup>	W		25	
Spectral Width (FWHM)	nm		4.5	5
Numerical Aperture	NA		0.15	0.16
Fiber Core	μm		400	
Fiber Connector	-	Pigtail/SMA905 (Optional)		
Fiber Length	m	1m/2m/3m (Optional)		
<b>Electrical<sup>2</sup></b>				
Power Conversion Efficiency	%	42	45	
Slope Efficiency	W / A	3.3	3.5	
Thershold Current	A		1.4	
Operating Current	A		8.5	9.5
Operating Voltage	V		6.5	7.5
<b>Thermal</b>				
Operating Temperature <sup>3</sup>	°C	15	25	35
Storage Temperature <sup>3</sup>	°C	-40		80
Wavelength Temperature Coefficient	nm / °C		0.35	
<b>Others</b>				
Anti Reflection Wavelength Range	nm		1030~1200	
Reflection Efficiency	dB		30	
Soldering Temperature	°C		260 (10 sec)	
<b>Notes</b>				
1. Explanation of Item Number: EB (Everbright In Short) - FCP (Fiber Coupled Module) - M4 (Product Serial) - 025 (Output Power is 25W) - 400 (Fiber Core is 400μm) - 0808 (Center Wavelength is 808nm) - 03 (Wavelength Tolerance is ±3nm)				
2. Above Data Test at 25°C, Unless otherwise stated.				
3. Please avoid operation and storage in the condensation enviroment. If exceed operating temperature, the device lifetime will be inpaced.				
4. Lifetime reduced if exceed nominal output power.				
Version: MK01-1807B-R01				



Suzhou Everbright Photonics Co., Ltd  
 Bldg 2, No. 189, Kunshanshan Road,  
 Suzhou Science&Technology Town,  
 Suzhou New District

www.everbrightphotonics.com  
 sales@everbrightphotonics.com  
 +86-512-69372570



Notice: Everbright keep improving its products to provide our customers with outstanding quality and reliability. We may change the specification and product description without notice at any time . For complete details, please contact Everbright sales representative.