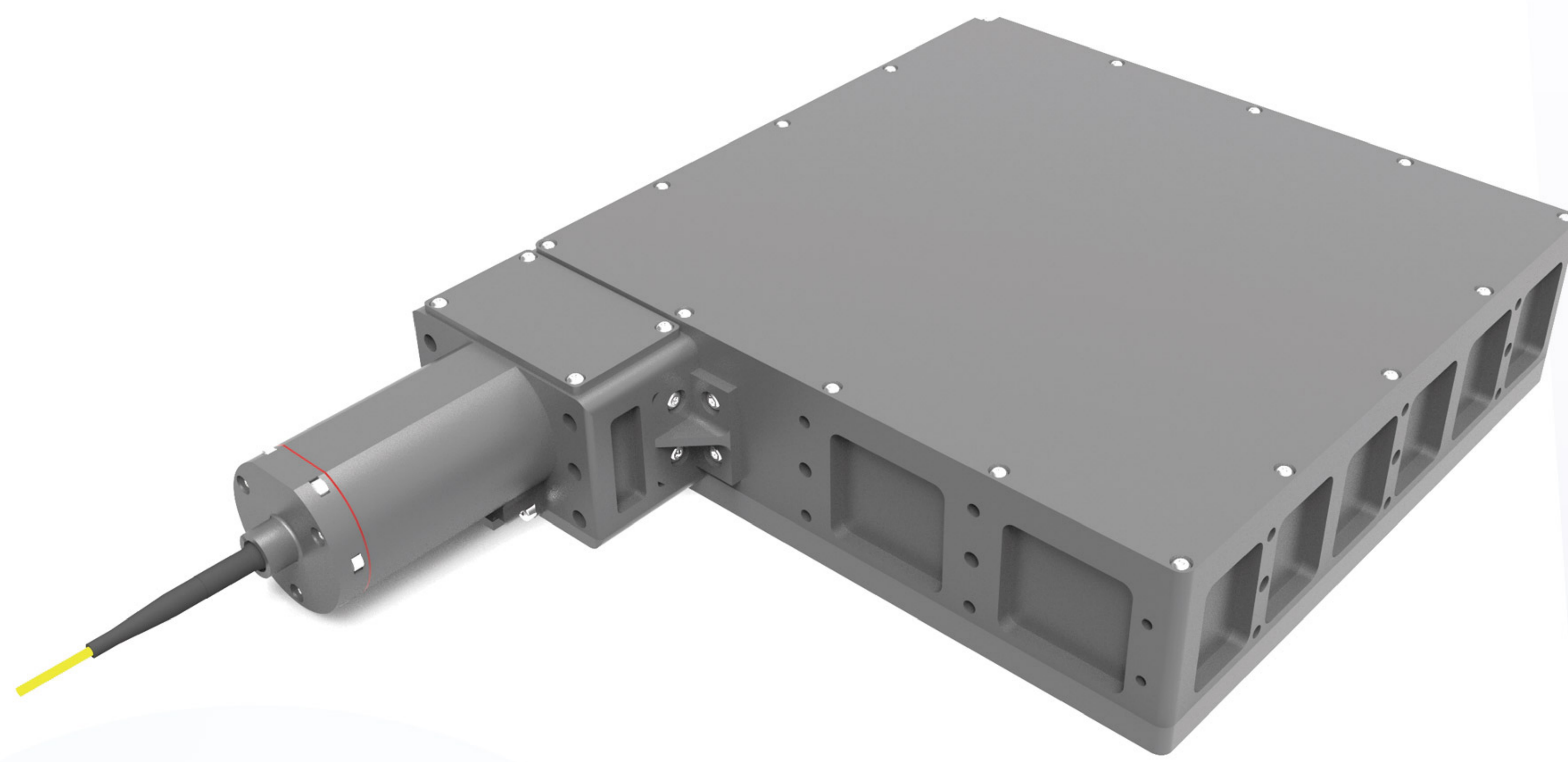


Fiber Coupled Module – F02

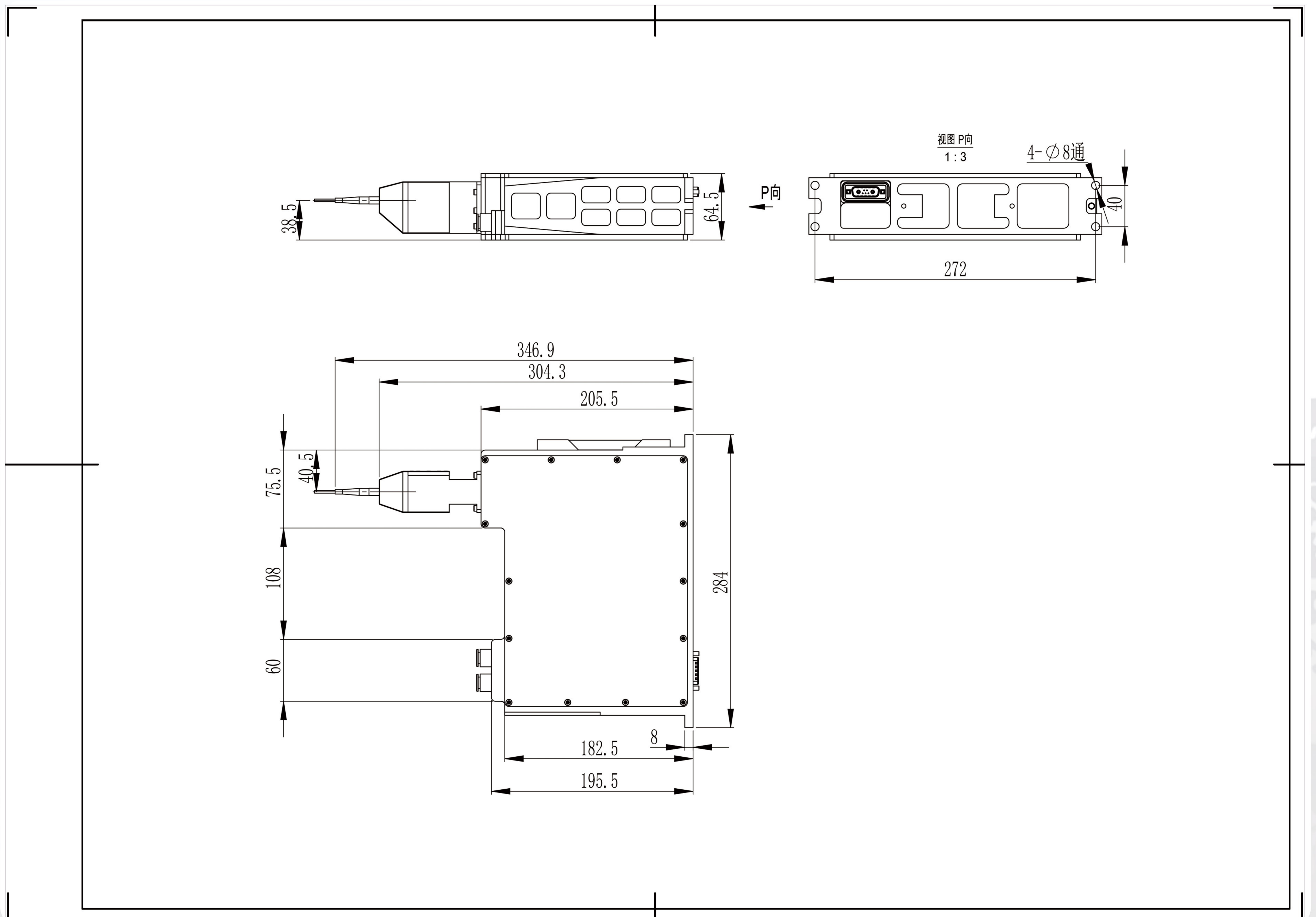


Application

Pump R&D
Direct Material Process

Features

High Power
Narrow Linewidth
Low Current
Long lifetime
N.A. 0.18



F Serial - F02		Item Number ¹ EB-FCP-F02-500-200-0976-03		
Parameter	Unit	Min	Type	Max
Optical²				
Center Wavelength	nm	973	976	979
Wavelength Tolerance	nm		± 3	
Output Power ⁴	W		500	
Spectral Width (FWHM)	nm		4.5	5
Numerical Aperture	NA		0.17	0.18
Fiber Core	μm		200	
Fiber Connector	-	Pigtail / SMA905 / SMAQ/QBH (Optional)		
Fiber Length	m	3m/5m/10m (Optional)		
Electrical²				
Power Conversion Efficiency	%	42	45	
Slope Efficiency	W / A	48	53	
Thershold Current	A		0.6	
Operating Current	A		10	11
Operating Voltage	V		110	115
Thermal				
Operating Temperature ³	°C	15	21	35
Storage Temperature ³	°C	-40		80
Wavelength Temperature Coefficient	nm / °C		0.35	
Others				
Anti Reflection Wavelength Range	nm		1030-1200	
Reflection Efficiency	dB		30	
Notes				
1. Explanation of Item Number: EB (Everbright In Short) - FCP (Fiber Coupled Module) - F02(Product Serial)- 500 (Output Power is 500W) - 200 (Fiber Core is 200μm) - 0976 (Center Wavelength is 976nm) - 03 (Wavelength Tolerance is ± 3nm)				
2. Above Data Test at 25°C, Unless otherwise stated.				
3. Please avoid operation and storage in the condensation enviroment. If exceed operating temperature, the device lifetime will be inpacted.				
4. Lifetime reduced if exceed nominal output power.				
Version: MK11-1807A-R01				



Suzhou Everbright Photonics Co., Ltd
 Bldg 2, No. 189, Kunshanshan Road,
 Suzhou Science&Technology Town,
 Suzhou New District

www.everbrightphotonics.com
 sales@everbrightphotonics.com
 +86-512-69372570



Notice: Everbright keep improving its products to provide our customers with outstanding quality and reliability. We may change the specification and product description without notice at any time . For complete details, please contact Everbright sales representative.