

Device TO

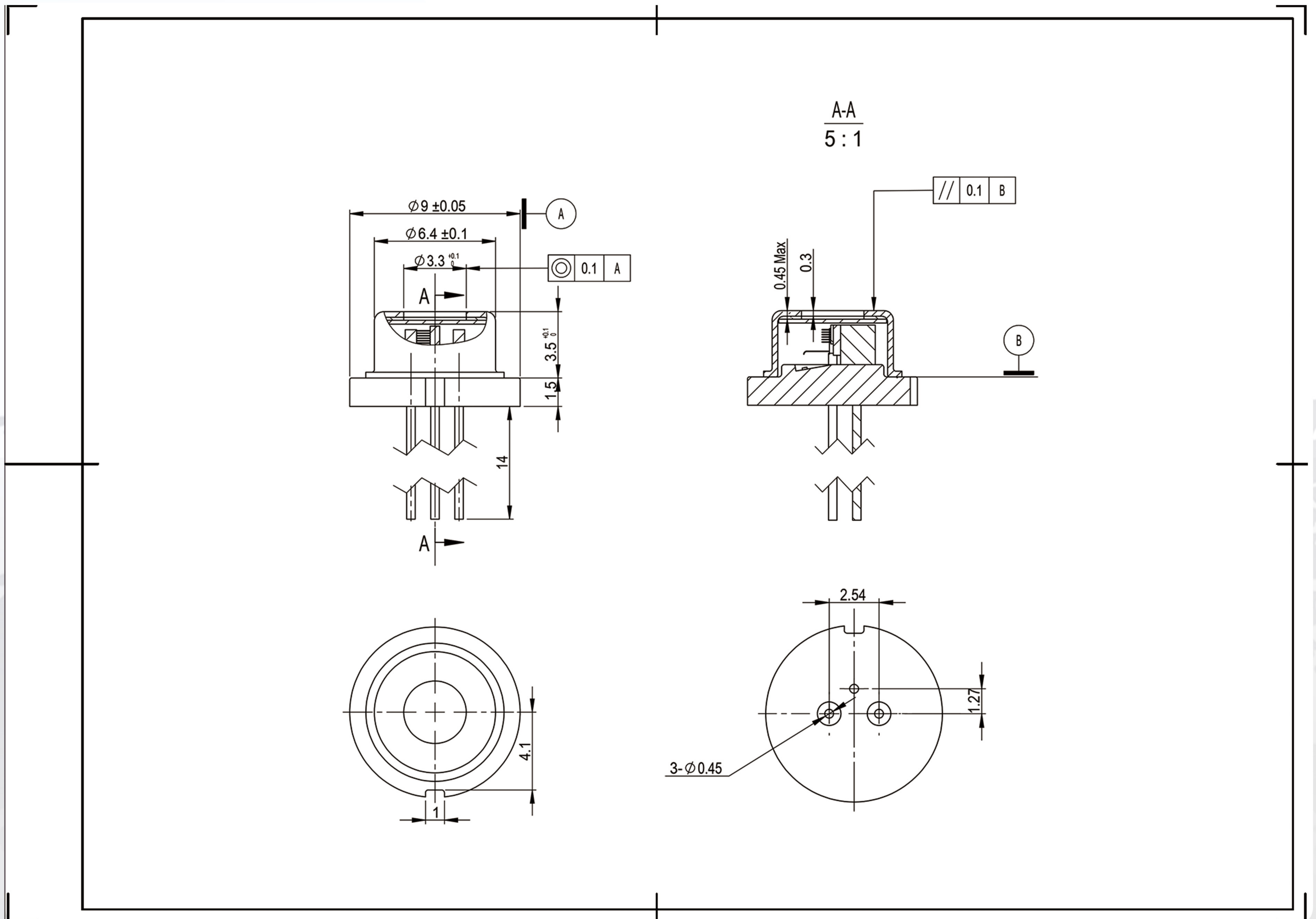


Application

Pump R&D
Medical

Features

High Power High Efficiency
High Reliability



TO9 Serial		Item Number ¹ EB-TO9-1.0-830-10		
Parameter	Unit	Min	Type	Max
Optical²				
Center Wavelength	nm	820	830	840
Wavelength Tolerance	nm		± 10	
Output Power ⁴	W		1.0	
Spectral Width (FWHM)	nm		3.0	4.0
Wavelength Temperature Coefficient	nm/°C		0.3	
Electrical²				
Power Conversion Efficiency	%	36	42	
Slope Efficiency	W/A	1.05	1.1	
Threshold Current	A		0.38	0.45
Operating Current	A		1.28	1.40
Operating Voltage	V		1.8	2.2
Thermal				
Operating Temperature ³	°C	0	25	40
Storage Temperature ³	°C		-20~70	
Notes				
1. Explanation of Item Number: EB (Everbright In Short) - TO9 (TO9 Package) - 1.0 (Output Power is 1W) - 0830 (Center Wavelength is 830nm) - 10 (Wavelength Tolerance is ± 10nm)				
2. Above Data Test at 25°C, Unless otherwise stated.				
3. Please avoid operation and storage in the condensation environment. If exceed operating temperature, the device lifetime will be impacted.				
4. Lifetime reduced if exceed nominal output power.				
Version: QJ01-1807A-R01				



Suzhou Everbright Photonics Co., Ltd
 Bldg 2, No. 189, Kunshanshan Road,
 Suzhou Science&Technology Town,
 Suzhou New District

www.everbrightphotonics.com
 sales@everbrightphotonics.com
 +86-512-69372570



Notice: Everbright keep improving its products to provide our customers with outstanding quality and reliability. We may change the specification and product description without notice at any time. For complete details, please contact Everbright sales representative.