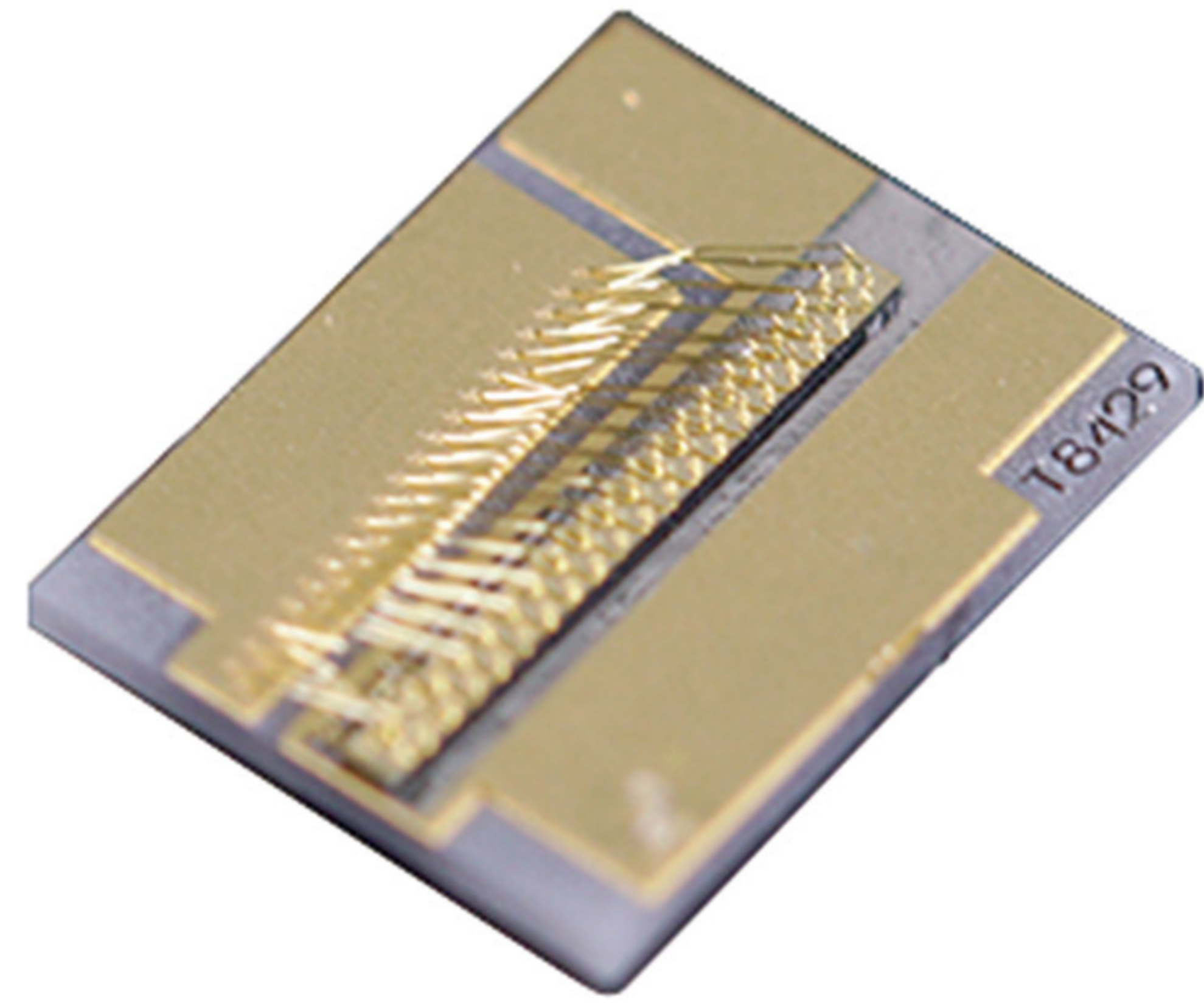


Device COS



Applications

Pump

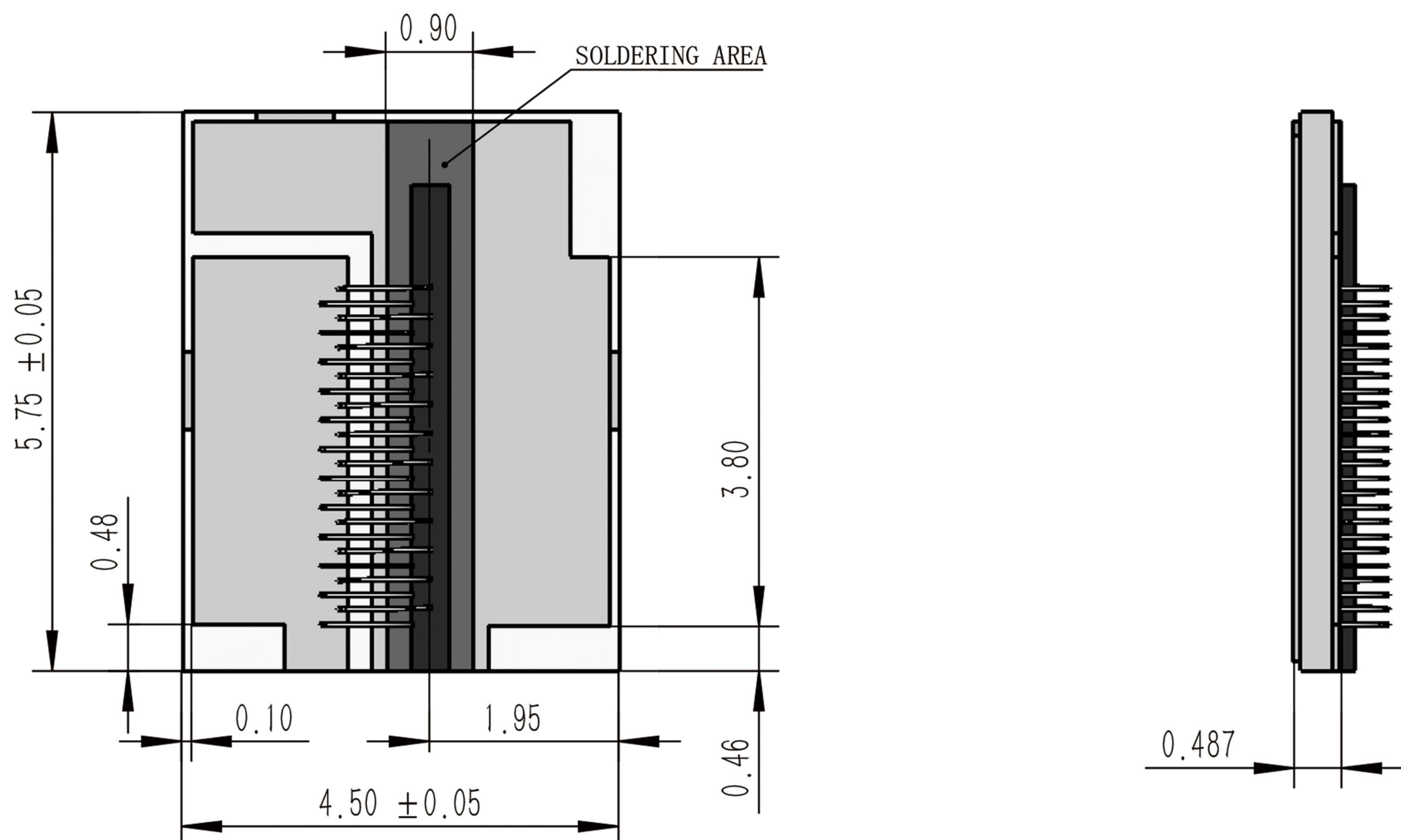
R&D

Features

High Power

High Efficiency

High Reliability



COS Serial		Item Number ¹ EB-COS-013-120-0976-03		
Parameter	Unit	Min	Type	Max
Optical²				
Center Wavelength	nm	973	976	979
Wavelength Tolerance	nm		± 3	
Output Power ⁴	W		13	
Cavity	mm		5	
Chip Width	μm		400	
Spectral Width (FWHM)	nm		3.5	4.5
Fast-axis Divergence	Deg		29	34
Slow-axis Divergence	Deg		6.5	9
Wavelength Temperature Coefficient	nm/°C		0.28	
Emitter Width	μm		122	
Thickness	μm		145	
Electrical²				
Power Conversion Efficiency	%	55	60	
Slope Efficiency	W/A	0.95	1.0	
Threshold Current	A		0.8	1.05
Operating Current	A		14	15
Operating Voltage	V		1.5	1.7
Series Resistance	mΩ		10	
Thermal				
Operating Temperature ³	°C		15~35	
Storage Temperature ³	°C		0~55	
Others				
Working Mode	-		CW	
Polarization	%	90	97	
Notes				
1. Explanation of Item Number: EB (Everbright In Short) - COS (COS Package) - 013 (Output Power is 13W) - 120 (Emitter Width is 120μm) - 0976 (Center Wavelength is 976nm) - 03 (Wavelength Tolerance is ± 3nm)				
2. Above Data Test at 25°C, Unless otherwise stated.				
3. Please avoid operation and storage in the condensation environment. If exceed operating temperature, the device lifetime will be impacted.				
4. Lifetime reduced if exceed nominal output power.				
Version: QJ04-1807B-R01				



Suzhou Everbright Photonics Co., Ltd
 Bldg 2, No. 189, Kunshanshan Road,
 Suzhou Science&Technology Town,
 Suzhou New District

www.everbrightphotonics.com
 sales@everbrightphotonics.com
 +86-512-69372570



Notice: Everbright keep improving its products to provide our customers with outstanding quality and reliability. We may change the specification and product description without notice at any time. For complete details, please contact Everbright sales representative.