

Device MCC

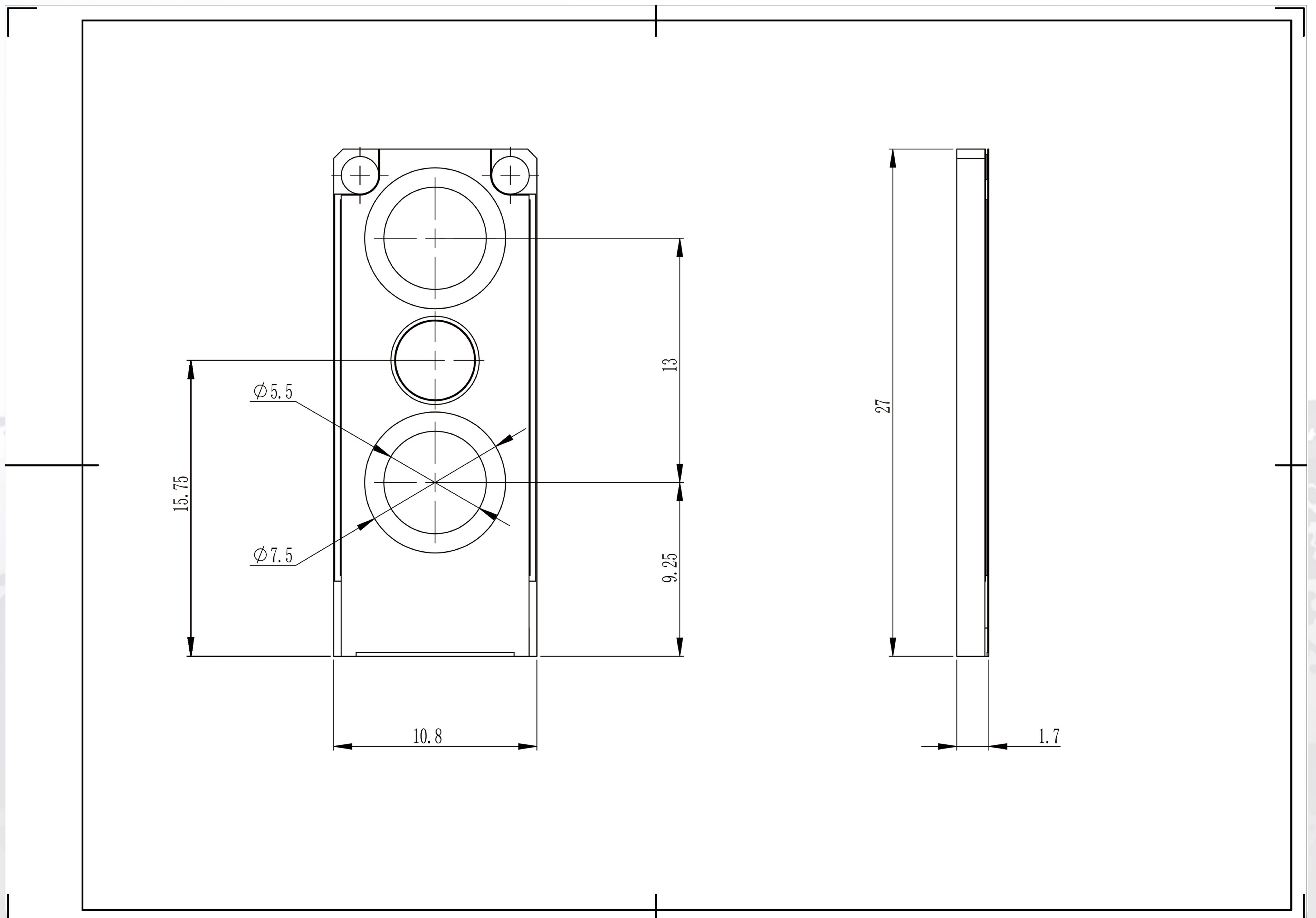


Application

Pump R&D
Medical

Features

High Power High Efficiency
High Reliability



| MCC Serial | | Item Number ¹ EB-MCC-060-049-0808-03 | | |
|---|-------|---|------|-----|
| Parameter | Unit | Min | Type | Max |
| Optical² | | | | |
| Center Wavelength | nm | 805 | 808 | 811 |
| Wavelength Tolerance | nm | | ±3 | |
| Output Power ⁵ | W | | 60 | |
| Working Mode | - | | CW | |
| Cavity Length | mm | | 1.5 | |
| Spectral Width (FWHM) | nm | | 2 | 4 |
| Fast-axis Divergence ⁴ | Deg | | 35 | 40 |
| Slow-axis Divergence | Deg | | 8 | 10 |
| Wavelength Temperature Coefficient | nm/°C | | 0.28 | |
| Emitter# | # | | 49 | |
| Emitter Width | μm | | 100 | |
| Emitter Pitch | μm | | 200 | |
| Bar Length | mm | | 10 | |
| Bar Thickness | μm | | 145 | |
| Electrical² | | | | |
| Power Conversion Efficiency | % | 45 | 52 | |
| Slope Efficiency | W/A | 1.15 | 1.24 | |
| Threshold Current | A | | 17 | 21 |
| Operating Current | A | | 65 | 70 |
| Operating Voltage | V | | 1.76 | 1.9 |
| Thermal | | | | |
| Operating Temperature ³ | °C | 15 | 25 | 35 |
| Storage Temperature ³ | °C | | 0~55 | |
| Others | | | | |
| Fill Factor | % | | 50 | |
| Polarization | % | | 95 | |
| Notes | | | | |
| 1. Explanation of Item Number: EB (Everbright In Short) - MCC (Micro-Channel Cooling Package) - 060 (Output Power is 60W) - 049 (Emtter number is 49) - 0808 (Center Wavelength is 808nm) - 03 (Wavelength Tolerance is ±3nm) | | | | |
| 2. Above Data Test at 25°C, Unless otherwise stated. | | | | |
| 3. Please avoid operation and storage in the condensation enviroment. If exceed operating temperature, the device lifetime will be inpacted. | | | | |
| 4. For fast-axis collimation, divergence ≤0.5° | | | | |
| 5. Lifetime reduced if exceed nominal output power. | | | | |
| Version: QJ05-1807B-R01 | | | | |



Suzhou Everbright Photonics Co., Ltd
 Bldg 2, No. 189, Kunshanshan Road,
 Suzhou Science&Technology Town,
 Suzhou New District

www.everbrightphotonics.com
 sales@everbrightphotonics.com
 +86-512-69372570



Notice: Everbright keep improving its products to provide our customers with outstanding quality and reliability. We may change the specification and product description without notice at any time . For complete details, please contact Everbright sales representative.