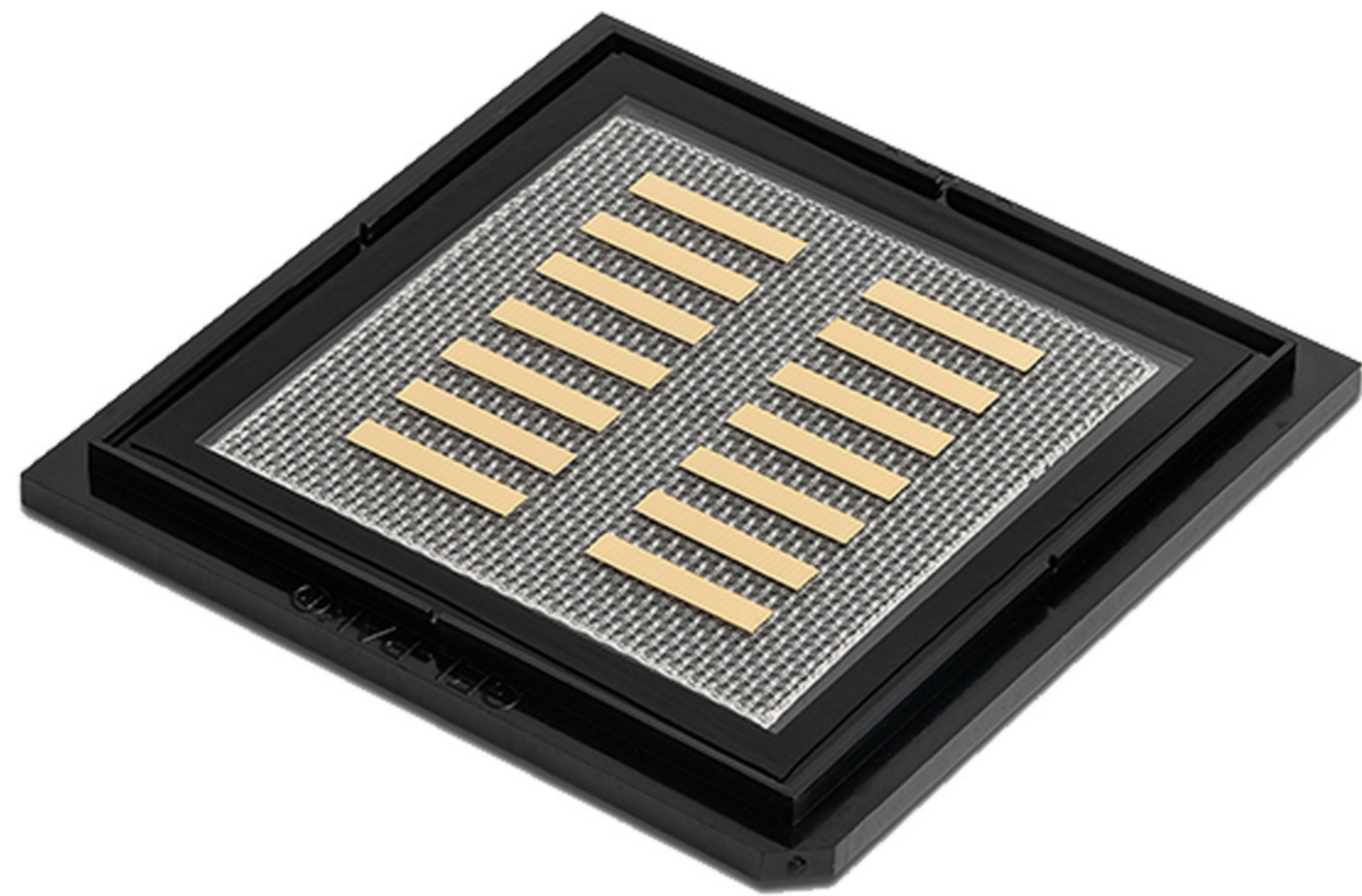


Laser Chip BB

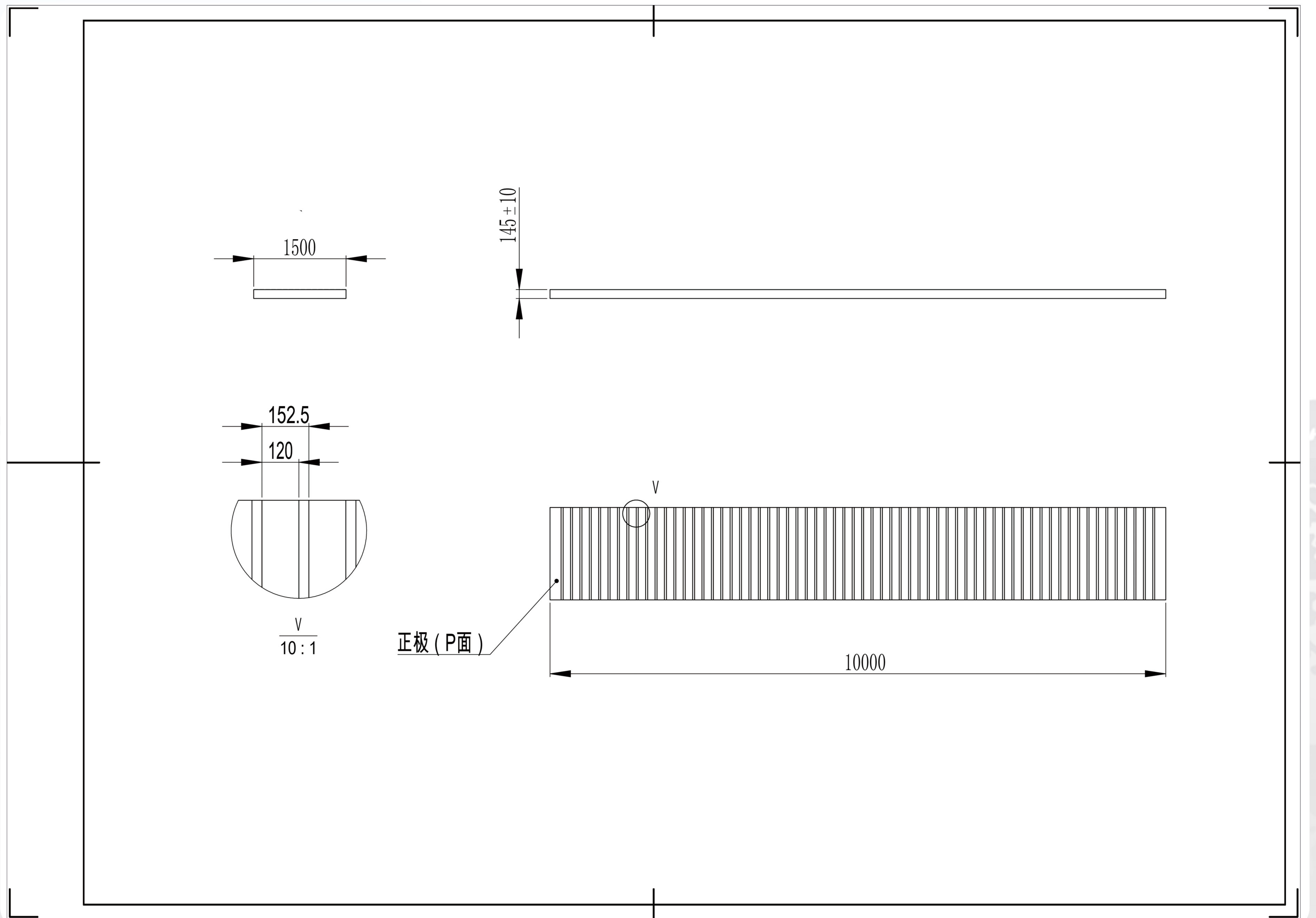


Application

Industry Pump R&D
Biomedical Laser Equipment

Features

High Power High Efficiency
High Reliability



Bare Bar BB		Item Number ¹ EB-BB-300Q-063-0808-03		
Parameter	Unit	Min	Type	Max
Optical²				
Center Wavelength	nm	805	808	811
Wavelength Tolerance	nm		± 3	
Output Power ⁵	W		300	
Working Mode	-		QCW	
Cavity Length	mm		1.5	
Spectral Width (FWHM)	nm		3	5
Fast-axis Divergence ⁴	Deg		35	40
Slow-axis Divergence	Deg		8.0	10
Wavelength Temperature Coefficient	nm/°C		0.28	
Emitter#	#		63	
Emitter Width	μm		120	
Emitter Pitch	μm		150	
Bar Length	mm		10	
Bar Thickness	μm		145	
Electrical²				
Power Conversion Efficiency	%	47	52	
Slope Efficiency	W/A	1.0	1.1	
Threshold Current	A		28	30
Operating Current	A		290	295
Operating Voltage	V		1.8	1.9
Thermal				
Operating Temperature ³	°C	15	25	35
Storage Temperature ³	°C		0~55	
Others				
Fill Factor	%		80	
Polarization	%	90	92	
Notes				
1. Explanation of Item Number: EB (Everbright In Short) - BB (Bare Bar) - 300Q (QCW Output Power is 300W) -063 (Emtter number is 63) - 0808 (Center Wavelength is 808nm) - 03 (Wavelength Tolerance is ± 3nm)				
2. Above Data Test at 25°C, Unless otherwise stated.				
3. Please avoid operation and storage in the condensation enviroment. If exceed operating temperature, the device lifetime will be inpacted.				
4. For fast-axis collimation, divergence ≤ 0.5°				
5. Lifetime reduced if exceed nominal output power.				
Version: XP06-1807B-R01				



Suzhou Everbright Photonics Co., Ltd
 Bldg 2, No. 189, Kunshanshan Road,
 Suzhou Science&Technology Town,
 Suzhou New District

www.everbrightphotonics.com
 sales@everbrightphotonics.com
 +86-512-69372570



Notice: Everbright keep improving its products to provide our customers with outstanding quality and reliability. We may change the specification and product description without notice at any time . For complete details, please contact Everbright sales representative.