

Stack – MCP–VQ

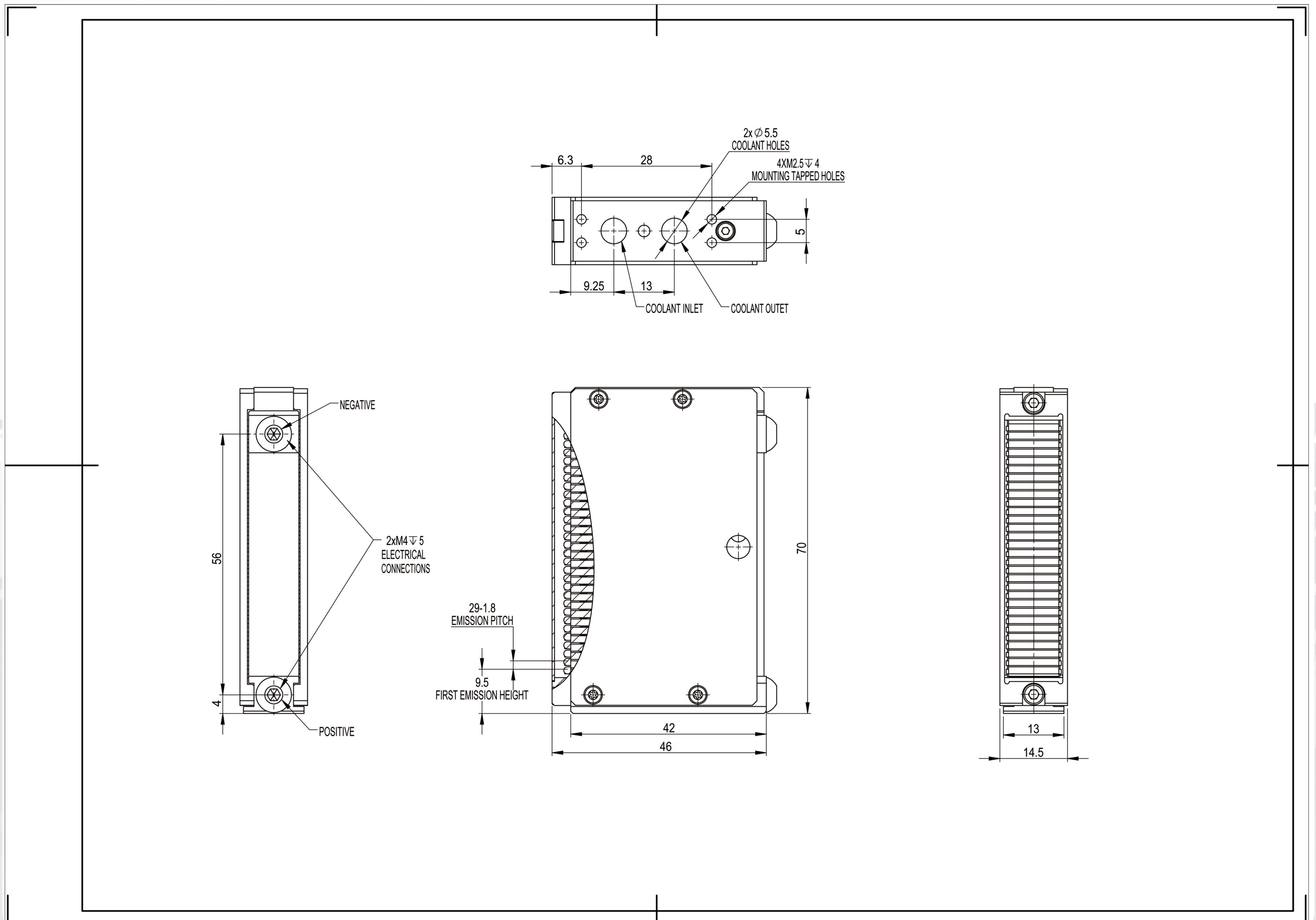


Application

Medical Pump
R&D

Features

High Efficiency
Cost Effective
High Reliability
Long Lifetime



MCP Serial - MCP-VQ		Item Number ¹ EB-MCP-V#-300Q-####-0808-03		
Parameter	Unit	Min	Type	Max
Optical²				
Center Wavelength	nm	805	808	811
Wavelength Tolerance	nm		± 3	
Output Power/Bar ⁵	W		300	
Number of Bars	#		2~60	
Spectral Width (FWHM)	nm		4	5
Fast-axis Divergence ⁴	Deg	38	40	42
Slow-axis Divergence	Deg	8	10	12
Wavelength Temperature Coefficient	nm/°C		0.28	
Electrical²				
Power Conversion Efficiency	%	48	50	
Slope Efficiency/Bar	W/A		1.1	1.2
Threshold Current	A		28	30
Operating Current	A		290	300
Operating Voltage/Bar	V		1.8	2.0
Thermal				
Operating Temperature ³	°C	15	25	35
Storage Temperature ³	°C		0~55	
Water Velocity/Bar	l/m		0.3	0.5
Entrance Maximum Pressure	psi		55	
Deionized Water Resistivity (DI)	kΩ · cm		200~500	
Pure Water Filter Particles	μm		<20	
Notes				
1. Explanation of Item Number: EB (Everbright In Short) - MCP (Micro-Channel Cooled Package) - V#(Number of bars per stack) - 300Q (QCW Output Power is 300W/bar) -### (Total Output Power) - 0808 (Center Wavelength is 808nm) - 03 (Wavelength Tolerance is ±3nm)				
2. Above Data Test at 25°C, Unless otherwise stated.				
3. Please avoid operation and storage in the condensation environment. If exceed operating temperature, the device lifetime will be impacted.				
4. For fast-axis collimation, divergence ≤0.5°				
5. Lifetime reduced if exceed nominal output power.				
Version: ZL01-1807A-R01				



Suzhou Everbright Photonics Co., Ltd
 Bldg 2, No. 189, Kunshanshan Road,
 Suzhou Science&Technology Town,
 Suzhou New District

www.everbrightphotonics.com
 sales@everbrightphotonics.com
 +86-512-69372570



Notice: Everbright keep improving its products to provide our customers with outstanding quality and reliability. We may change the specification and product description without notice at any time. For complete details, please contact Everbright sales representative.