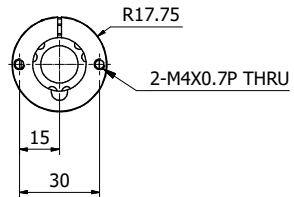
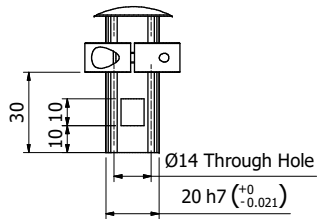
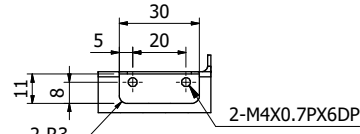
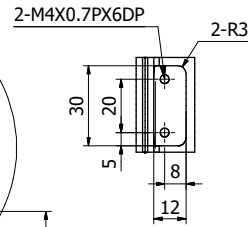


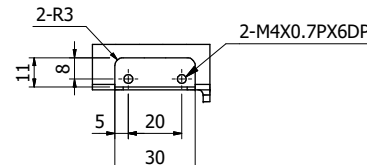
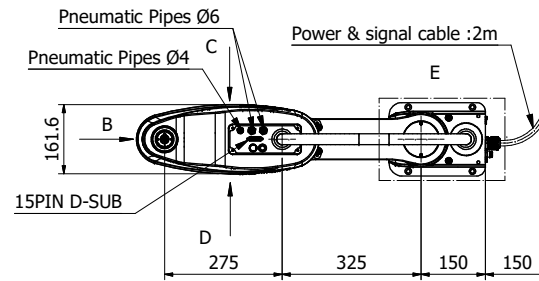
A DETAIL (1 : 2)



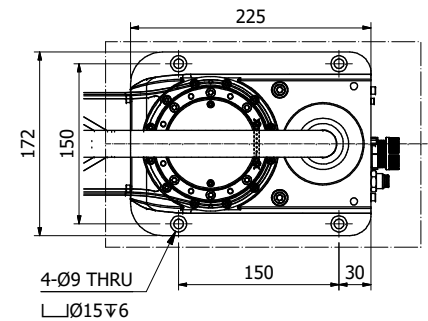
B SECTION (1 : 2)



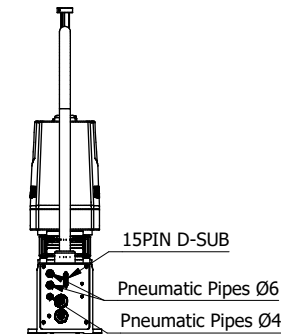
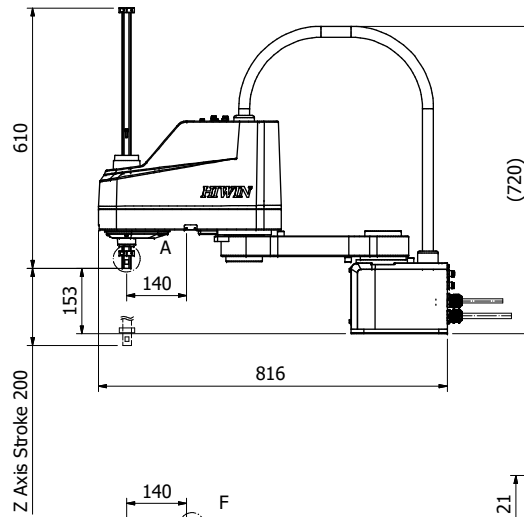
C SECTION (1 : 2)



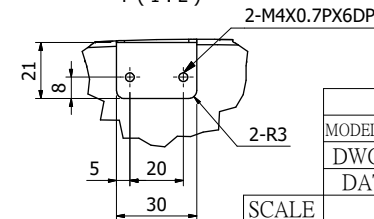
D SECTION (1 : 2)



E DETAIL (1 : 5)



F (1 : 2)



SCALE
1 : 12.5

Specifications

Degrees of Freedom		4
Nominal Payload/Load Capacity		2 kg
Max. Payload/Load Capacity		6 kg
Reach Radius		600 mm
Motion/Working Range	J1	±130°
	J2	±150°
	J3	400 mm
	J4	±360°
Tool Wiring		15PIN D-SUB
Tool Pneumatic Pipes		Φ4x1 · Φ6x2
Weight		25 kg
Controller		RC4
Protection Rating		IP20

Note:

1. All rights reserved.
2. Please note that the information is subject to be revised without advance notice.
3. We do not have duty for any damage or loss caused by the use of the information.

HIWIN TECHNOLOGIES CORP.			
MODEL NAME	RS406-600-400-LU	DWG	Jean Wang
DWG.NO.	RS406Z0C001	CHK	Alex Lin
DATE	2020/10/21	APPD	Kyle Wong

